

# B5 Butterfly Valve - Lug & Wafer Style • Spec Sheet

Lug Style



Certified to  
NSF/ANSI 61 & 372  
NSF Approved Up to 12".  
14"-36" Only with EPDM  
Seat & SS Disc



SP-67 Compliant

## MATERIAL SPECIFICATIONS

Part	Material
Body	Ductile Iron ASTM A536
Discs	Ductile Iron, SS-CF8M, Aluminum Bronze
Seats	EPDM, BUNA, Viton
Stem	420SS
Bushing	Graphite
O - Ring	EPDM, BUNA, Viton
Gear 2" – 12"	Cast Iron ASTM A126B
Gear 14" – 36"	Ductile Iron ASTM A536
Lever	Ductile Iron ASTM A536

Wafer Style

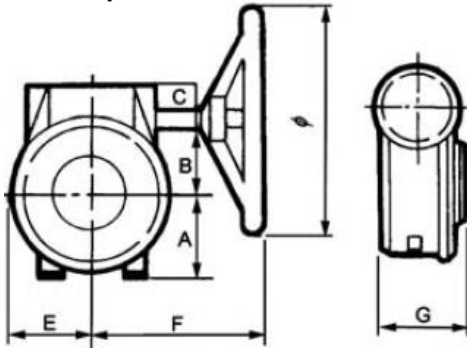


Certified to  
NSF/ANSI 61 & 372  
NSF Approved Up to 12".  
14"-36" Only with EPDM  
Seat & SS Disc



SP-67 Compliant

Gear Operator



Valve Size	A	B	C	E	F	G	Ø
2" - 6"	1.98	1.52	1.22	2.06	3.20	2.70	5.91
8" - 10"	3.15	2.13	1.65	2.09	9.05	3.05	11.81
12" - 14"	3.10	2.73	1.52	3.30	10.24	3.27	11.81
16" - 20"	5.10	4.30	1.93	5.12	11.26	4.60	11.81

Suitable for Bi-directional Double  
Dead End Service (Lug Style Only)

## Rated Flow Coefficient (Cv) B5 Valve\*

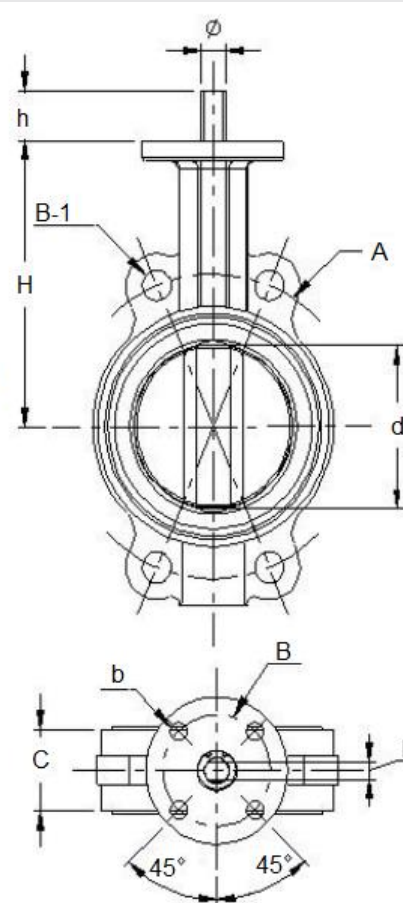
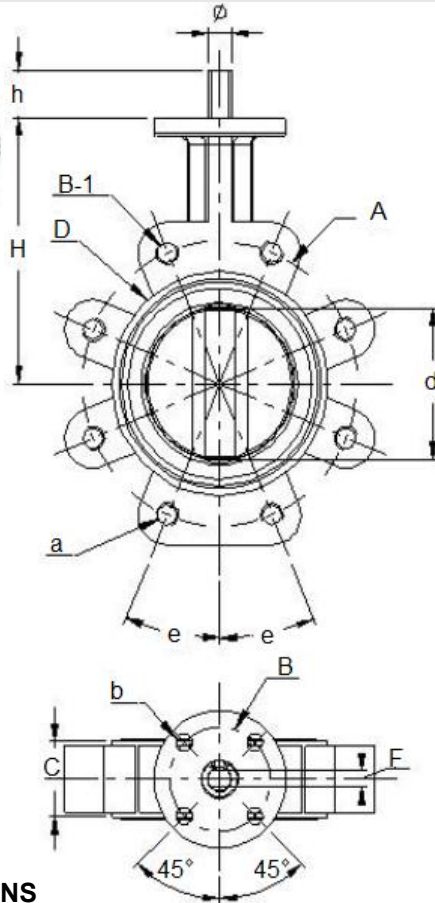
Valve Size	Angle of Disc Opening								
	10°	20°	30°	40°	50°	60°	70°	80°	90°
2"	1.67	7.70	17	29	48	74	115	145	195
2.5"	2.50	11	25	44	69	109	174	237	307
3"	3.33	15.70	37	64	105	165	276	377	487
4"	5	27.70	63	110	177	278	472	671	827
5"	8.33	43.70	99	177	276	443	752	1083	1325
6"	13.33	58.70	136	242	385	616	1075	1521	1883
8"	20	107.30	247	434	687	1094	1821	2671	3239
10"	31.67	174	394	696	1092	1770	2983	4288	5210
12"	47.00	251.70	578	1002	1665	2654	4398	6466	8026
14"	61.30	326	765	1373	2183	3395	5713	8337	10179
16"	81.70	426	1000	1783	2816	4494	7556	10981	13322
18"	106	549	1294	2279	3614	5779	9755	14148	17738
20"	125	684	1598	2862	4579	7181	12178	17906	22113
24"	233	1009	2329	4081	6587	10347	17078	25218	31051
30"	364.7	1537	3757	6571	10568	16861	27767	39752	50783
36"	575	2498	5495	9437	15261	24002	39806	56834	74958

\*Cv is defined as the volume of water in US gallons per minute that will flow through a given restriction, or valve opening, with a drop of one psi at 60° F

# B5 Butterfly Valve - Lug & Wafer Style • Spec Sheet

**Lug Style**

**Wafer Style**



NSF Approved Up to 12",  
14"-36" Only with EPDM  
Seat & SS Disc

NSF Approved Up to 12",  
14"-36" Only with EPDM  
Seat & SS Disc

**VALVE DIMENSIONS**

Size	H	d	D	A	a	B-1	B	b	C	e	h	StemØ	F (flat)	Key
2"	5.51	2.05	3.54	4.75	4-5/8"	0.75	2.25	0.30	1.61	45°	1.37	0.56	0.375	N/A
2.5"	6.02	2.48	4.02	5.50	4-5/8"	0.75	2.25	0.30	1.75	45°	1.37	0.56	0.375	N/A
3"	6.26	3.07	4.69	6.00	4-5/8"	0.75	2.25	0.30	1.75	45°	1.37	0.56	0.375	N/A
4"	7.00	4.09	5.90	7.50	8-5/8"	0.75	2.75	0.44	2.00	22.5°	1.37	0.63	0.44	N/A
5"	7.50	4.85	7.13	8.50	8-3/4"	0.87	2.75	0.44	2.12	22.5°	1.37	0.75	0.5	N/A
6"	8.01	5.95	8.19	9.50	8-3/4"	0.87	2.75	0.44	2.12	22.5°	1.37	0.75	0.5	N/A
8"	9.50	7.92	10.24	11.75	8-3/4"	0.87	3.54	0.56	2.50	22.5°	1.37	0.88	0.625	N/A
10"	10.75	9.79	12.64	14.25	12-7/8"	1.00	3.54	0.56	2.50	15°	1.53	1.13	0.85	N/A
12"	12.24	11.44	14.57	17.00	12-7/8"	1.00	4.25	0.56	2.99	15°	1.53	1.13	0.85	N/A
14"	12.00	13.05	17.01	18.75	12-1"	1.06	5.00	0.56	2.99	15°	2.41	1.37	N/A	1-5/16X5/16
16"	12.99	13.33	19.63	21.25	16-1"	1.06	5.00	0.56	4.00	11.25°	2.41	1.62	N/A	1-3/8X3/8
18"	14.50	17.19	21.42	22.75	16-1 1/8"	1.19	6.50	0.81	4.24	11.25°	3.15	1.87	N/A	1-1/2X1/2
20"	15.87	19.15	23.82	25.00	20-1 1/8"	1.19	6.50	0.81	4.98	9°	3.15	2.12	N/A	1-1/2X1/2
24"	22.24	23.28	28.50	29.29	20-1 1/4"	1.38	6.50	0.81	6.00	9°	3.15	2.12	N/A	2-1/2X1/2
30"	23.23	29.33	33.31	36.00	28-1 1/4"	1.38	10.00	0.71	6.54	6.43°	4.00	2.50	N/A	2-5/8X5/8
36"	28.35	35.04	39.92	42.76	32-1 1/2"	1.63	11.73	0.91	7.95	5.63°	4.61	3.15	N/A	2-5/8X7/8

**Torque in Inch  
lbs @ 100 PSI**

Size	Torque
2"	120
2.5"	160
3"	190
4"	280
5"	400
6"	600
8"	1100
10"	2000
12"	2515
14"	4800
16"	8800
18"	12390
20"	15930
24"	22125
30"	44250
36"	57525

