



# PFXC4017 - Loftus Single Handle Pull Down Kitchen Faucet

## Model Numbers

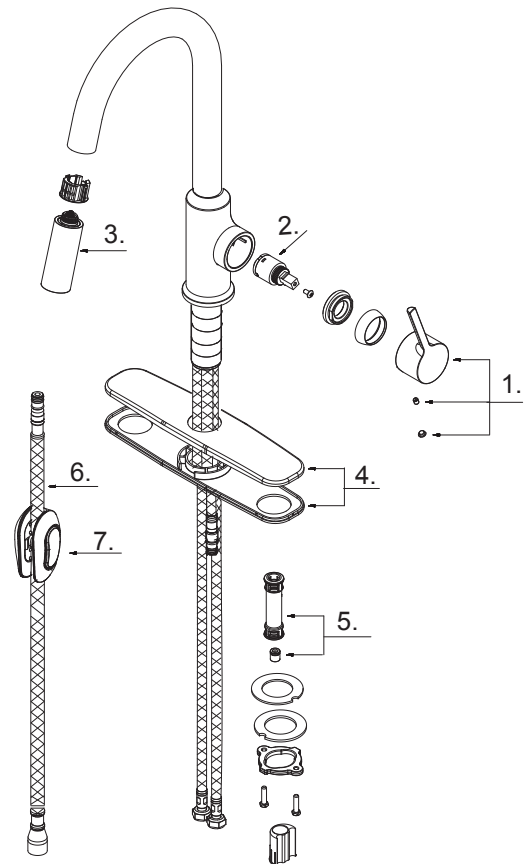
PFXC4017CP	Chrome
PFXC4017ZBN	PVD brushed nickel
PFXC4017MB	Matte black

No.	Item	Part Number	Material Type
1	Metal Handle Assembly	OBPF7A079086*	Metal
2	Ceramic Disc Cartridge	OBPF2A507906N-31	Plastic, Ceramic
3	Pull-Down Spray Head	OBPF6TQA568009N*	Metal, Plastic
4	Cover Plate Assembly	SHDP100*	Metal, Plastic
5	Hose Adapter	OBPF6A663123N	Plastic
6	Spray Hose	OBPF8A515111W*	Metal, Plastic
7	Weight	OBPF1A504071ZN	Metal, Plastic

\*specify finish



PFXC4017CP



## Warranty and Codes

This product comes complete with installation, operating, care and maintenance instructions. This PROFLO faucet carries a limited lifetime warranty when installed in residential applications. The warranty is five years in commercial applications. Compliant with lead content requirements of California AB 1953 and Vermont S.152.

