



S19-2000 (EFX8), S19-2000EFX Emergency Fixture Thermostatic Mixing Valves

- Exceeds ANSI Z358.1
- ASSE 1071 Certified
- Reliable Liquid-Filled Thermostat with 10-Year Warranty
- Checkstops on Inlets
- Adjustable Set Point within Temperature Range
- Accurate Temperature Control to within $\pm 3^\circ$ F
- Built-in Cold Water Bypass, Assuring Cold Flow
- Positive Shutoff of Hot Supply When Cold Supply is Lost
- Easy Installation and Serviceability
- Dirt and Lime Resistant
- Dial Thermometer
- Factory Assembled and Tested
- Universal Mounting Capability
- Cabinet Features:
 - 18 Gauge Body & Door
 - Left-Hand Hinge
 - Cylinder Lock
 - Inlet/Outlet Knock-Out Holes for Mounting Flexibility
 - Stainless Steel or Baked White Enamel Finishes
 - Surface-Mounted or Recessed Style with Flange



S19-2000

Valve Model

Model	Description
<input type="checkbox"/> S19-2000	Emergency Fixture Thermostatic Mixing Valve
<input type="checkbox"/> S19-2000EFX	Emergency Fixture Thermostatic Mixing Valve for S19294JB & S19294JBT Only

Valve Specifications

Maximum Operating Pressure

125 PSI (860 kPa)

Maximum Inlet Temperature

180° F (82° C)

Recommended Inlet Temperature

120° F (49° C) – 140° F (60° C)

Temperature Range

Std. 65° F (18° C) to 90° F (32° C)

Set Point

85° F (29° C)

Flow Capacities – GPM

Model	Min. Flow	Pressure Drop – PSI						
		5	10	15	20	30	45	60
S19-2000	1.5	3.0	4.0	5.0	6.0	7.3	9.0	10.5
Cold Bypass Only		2.3	3.2	4.0	4.6	5.6	6.8	7.7

Flow Capacities – L/Min

Model	Min. Flow	Pressure Drop – Bar						
		.5	1.0	1.5	2.0	2.5	3.0	4.0
S19-2000	5.5	13.5	19.0	23.5	27.0	30.5	33.5	38.5
Cold Bypass Only		10.5	14.5	18.0	21.0	23.5	25.5	29.5



This plumbing fixture is not intended to dispense water for human consumption through drinking or for preparation of food or beverages.

Product Compliance

Listed by IAPMO R&T to

- ASSE 1071
- Uniform Plumbing Code (UPC)
- National Plumbing Code of Canada
- International Plumbing Code (IPC)



Listed by ASSE International to

- ASSE 1071

Engineer's Approval _____

Configurable Valve Model (select one)

Model	Description
<input type="checkbox"/> EFX8	EFX8 Thermostatic Mixing Valve with Options
<input type="checkbox"/> CAB-EFX8	EFX8 Thermostatic Mixing Valve Cabinet Only

Optional Valve Selections

Finish

- R Rough Brass (standard)
- C Chrome Plated

Bracket

- B Wall Mounting Bracket
- O None

Optional Cabinet Selections

Cabinets (includes bracket)

- SS Surface Mount Stainless Steel
- RS Recessed Stainless Steel
- SE Surface Mount White Enamel
- RE Recessed White Enamel
- O None

Window

- W Plexi-Glass Window in Door
- O None



Application

Eye or Eye/Face Wash

Complies with ANSI/ISEA Z358.1

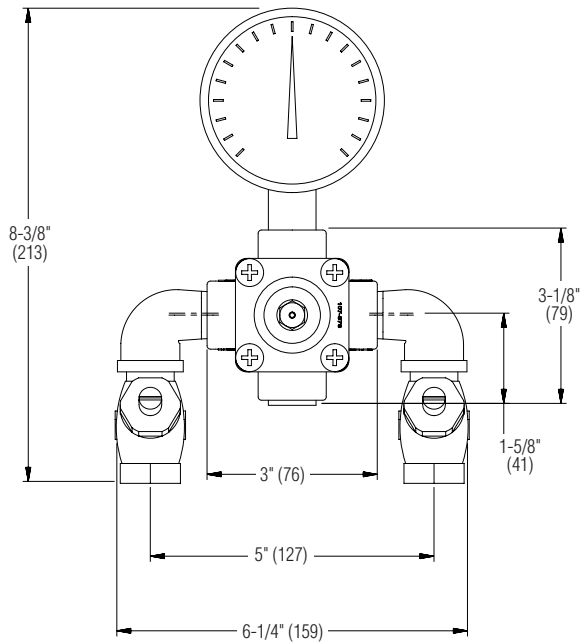


S19-2000 (EFX8), S19-2000EFX Emergency Fixture Thermostatic Mixing Valves

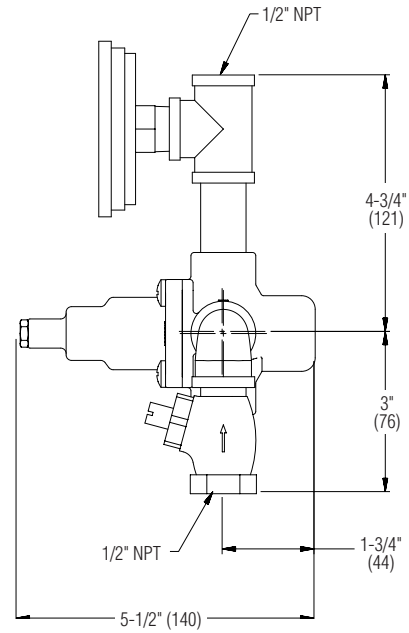
Dimensions

(mm)

Front View

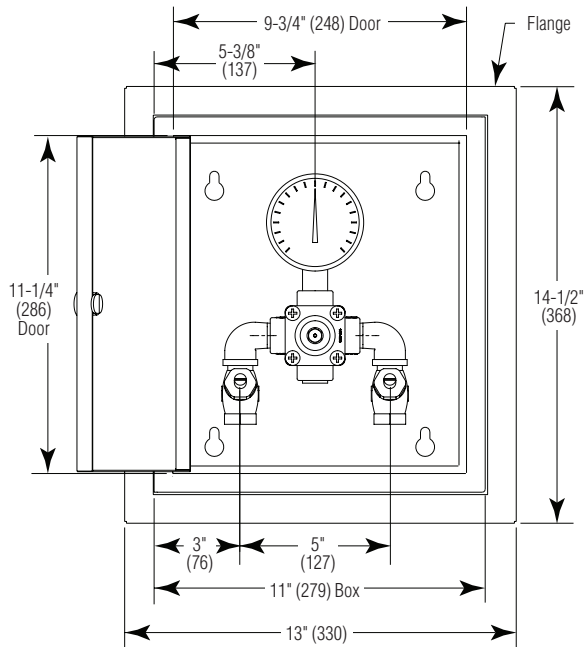


Side View

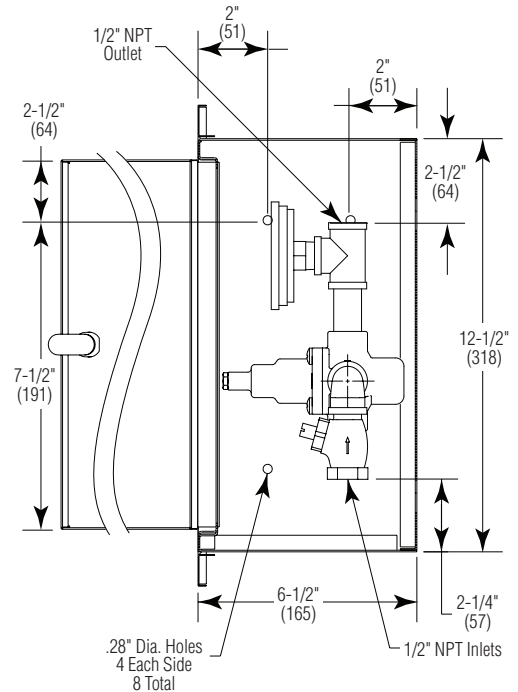


Dimensions — S19-2000 Recessed Cabinet

Front View



Side View



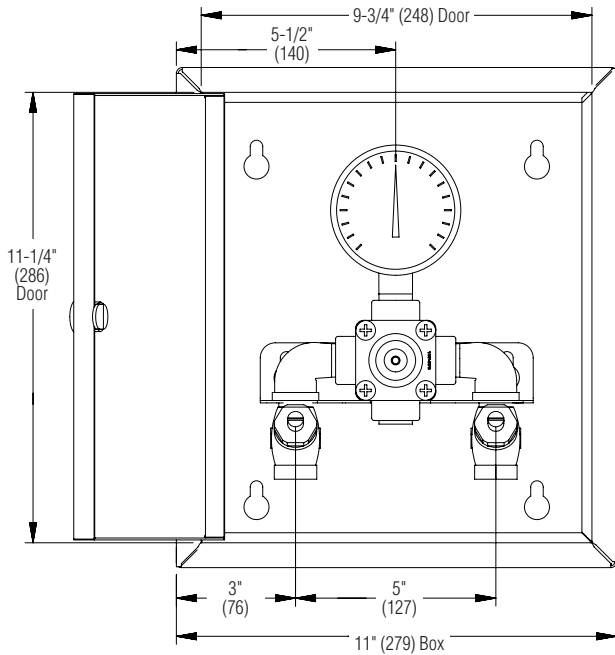


S19-2000 (EFX8), S19-2000EFX Emergency Fixture Thermostatic Mixing Valves

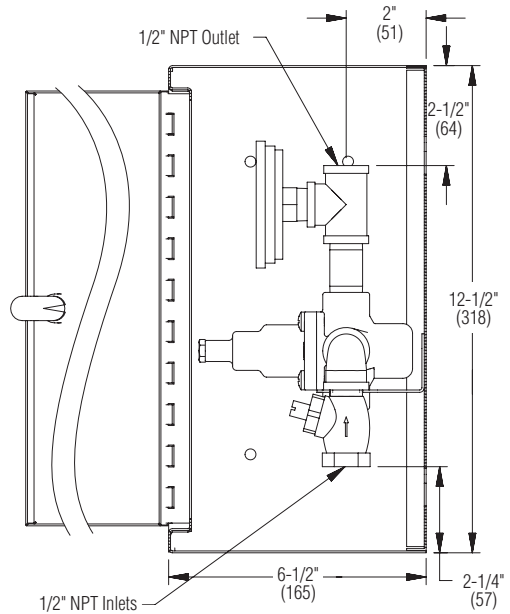
Dimensions — S19-2000 Surface-Mounted Cabinet

(mm)

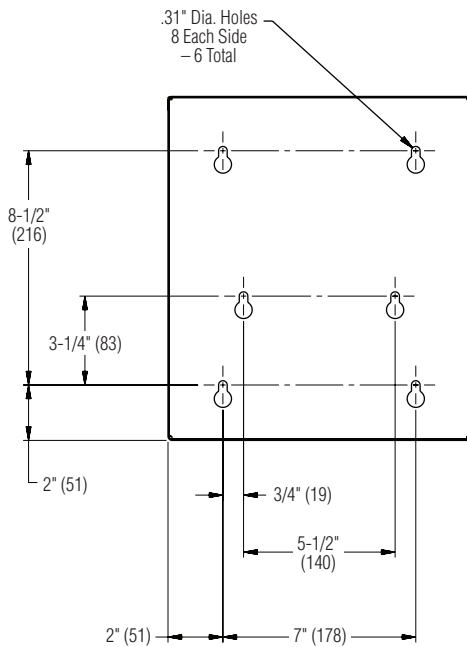
Front View



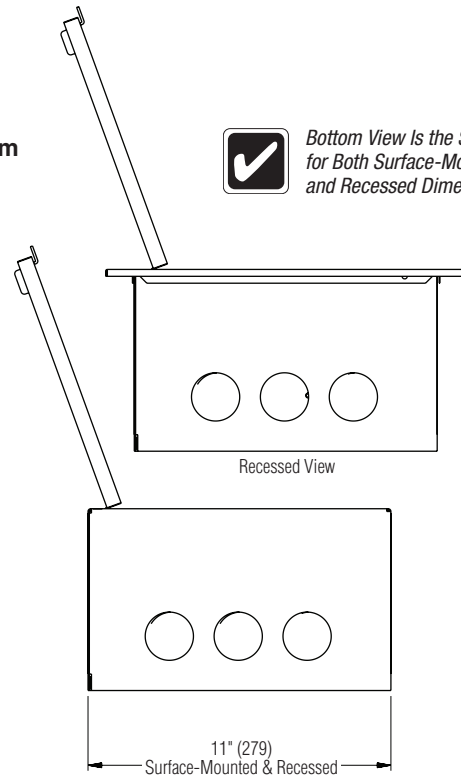
Side View



Back View



Bottom View



Bottom View Is the Same for Both Surface-Mounted and Recessed Dimensions.