



# S19-2300 (EFX125) Emergency Fixture Thermostatic Mixing Valves

- Meets ANSI Z358.1
- Reliable Liquid-Filled Thermostat with 10-Year Warranty
- Integral Strainer Checkstops on Inlets
- Adjustable Set Point within Temperature Range
- Accurate Temperature Control to within  $\pm 3^\circ$  F
- Built-in Cold Water Bypass, Assuring Cold Flow
- Positive Shutoff of Hot Supply When Cold Supply is Lost
- Easy Installation and Serviceability
- Dirt and Lime Resistant
- Dial Thermometer
- Factory Assembled and Tested
- Universal Mounting Capability
- Cabinet Features:
  - 18 Gauge Body & Door
  - Left-Hand Hinge
  - Cylinder Lock
  - Inlet/Outlet Knock-Out Holes for Mounting Flexibility
  - Stainless Steel or Baked White Enamel Finishes
  - Surface-Mounted or Recessed Style

## Valve Specifications

### Maximum Operating Pressure

125 PSI (860 kPA)

### Maximum Inlet Temperature

180° F (82° C)

### Recommended Inlet Temperature

120° F (49° C) – 140° F (60° C)

### Temperature Range

Std. 65° F (18° C) to 95° F (35° C) Set Point  
85° F (29° C)

### Flow Capacities – GPM

Model	Min. Flow	Pressure Drop – PSI						
		5	10	15	20	30	45	60
S19-2300	3	33.5	47.5	58.0	67.0	82.0	100.5	116.0
Cold Bypass Only		25.5	36.5	44.5	51.5	63.0	77.0	89.0

### Flow Capacities – L/Min

Model	Min. Flow	Pressure Drop – Bar						
		.5	1.0	1.5	2.0	2.5	3.0	4.0
S19-2300	11.5	153.0	216.3	265.0	306.0	342.0	374.5	432.5
Cold Bypass Only		117.3	166.0	203.0	234.5	262.0	287.0	331.5

This plumbing fixture is not intended to dispense water for human consumption through drinking or for preparation of food or beverages.



## Valve Model

Model	Description
<input type="checkbox"/> S19-2300	Emergency Fixture Thermostatic Mixing Valve

## Configurable Valve Model (select one)

Model	Description
<input type="checkbox"/> EFX125	EFX125 Thermostatic Mixing Valve with Options
<input type="checkbox"/> CAB-EFX125	EFX125 Thermostatic Mixing Valve <b>Cabinet Only</b>

## Optional Valve Selections

Finish	Description
<input type="checkbox"/> R	Rough Brass (standard)
<input type="checkbox"/> C	Chrome Plated

Bracket	Description
<input type="checkbox"/> B	Wall Mounting Bracket
<input type="checkbox"/> 0	None

Piped Assembly	Description
<input type="checkbox"/> P	Piped Assembly with Inlet and Outlet Shutoff
<input type="checkbox"/> N*	Piped Assembly only
<input type="checkbox"/> 0	None

## Optional Cabinet Selections

Cabinets (includes bracket)	Description
<input type="checkbox"/> SS	Surface Mount Stainless Steel
<input type="checkbox"/> RS	Recessed Stainless Steel
<input type="checkbox"/> SE	Surface Mount White Enamel
<input type="checkbox"/> RE	Recessed White Enamel
<input type="checkbox"/> 0	None

Window	Description
<input type="checkbox"/> W	Plexi-Glass Window in Door
<input type="checkbox"/> 0	None

\*Requires cabinet selection



Engineer's Approval \_\_\_\_\_

Page 1 of 4 6/26/2019

This information is subject to change without notice.

Bradley\_TMV\_Emergency\_EFX125

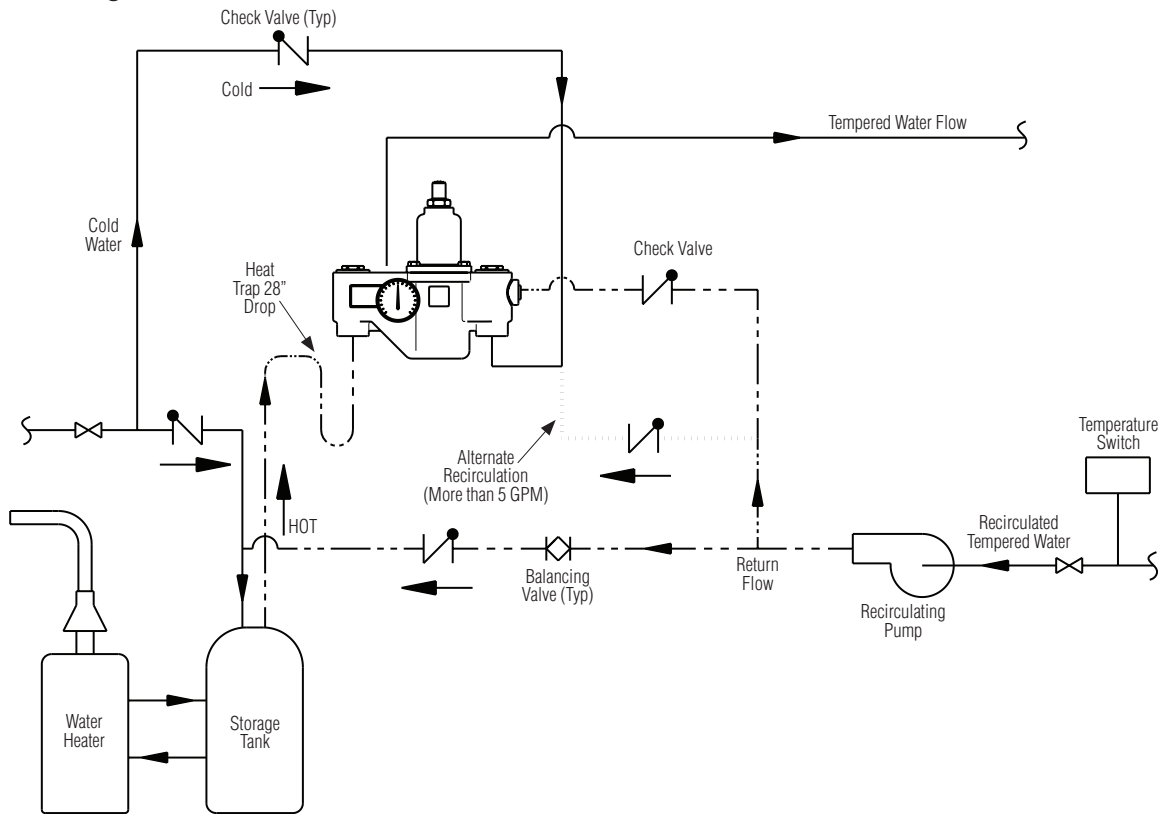
© 2019 Bradley  
P.O. Box 309, Menomonee Falls, WI 53052-0309  
800 BRADLEY (800 272 3539) +1 262 251 6000  
bradleycorp.com



# S19-2300 (EFX125) Emergency Fixture Thermostatic Mixing Valves

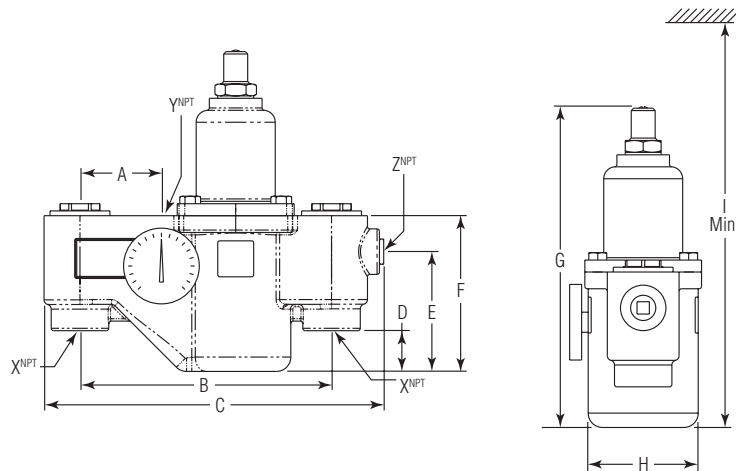
## Recirculation Diagram

(mm)



## Dimensions

Model	A	B	C	D	E	F	G	H	I	X <sup>NPT</sup>	Y <sup>NPT</sup>	Z <sup>NPT</sup>
S19-2300	2-3/4" (70)	10-1/2" (267)	14" (356)	1-3/4" (45)	5" (127)	6-5/8" (169)	13-1/2" (343)	4-7/8" (124)	22" (559)	1-1/4"	1-1/2"	3/4"



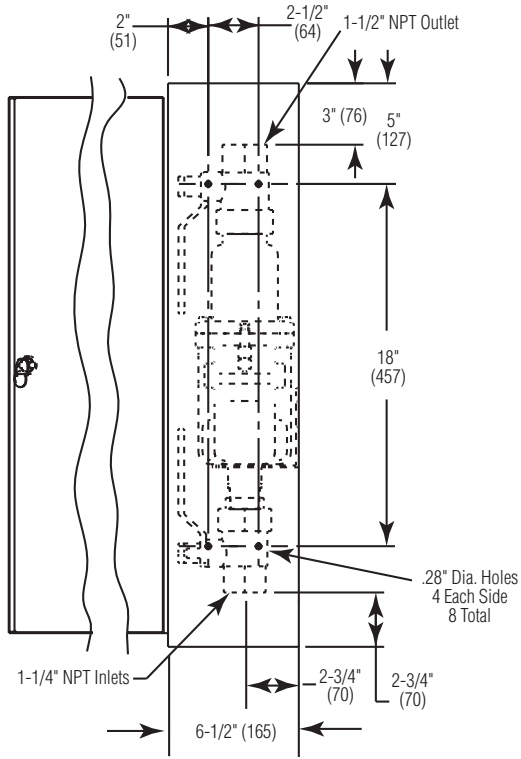


# S19-2300 (EFX125) Emergency Fixture Thermostatic Mixing Valves

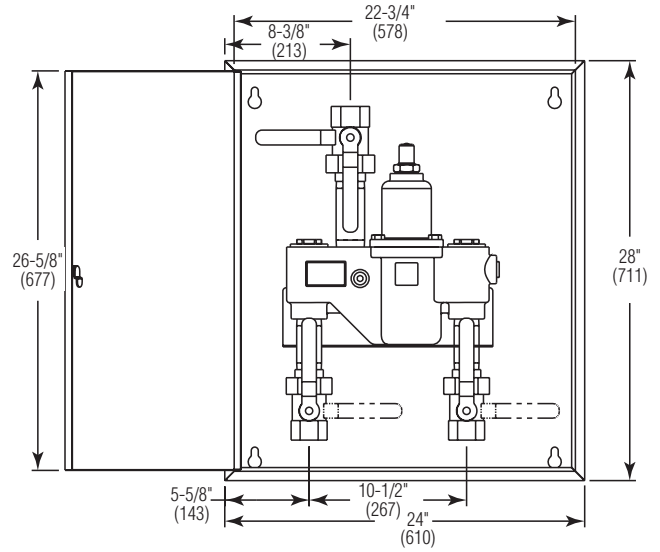
Dimensions — S19-2300 Surface-Mounted Cabinet

(mm)

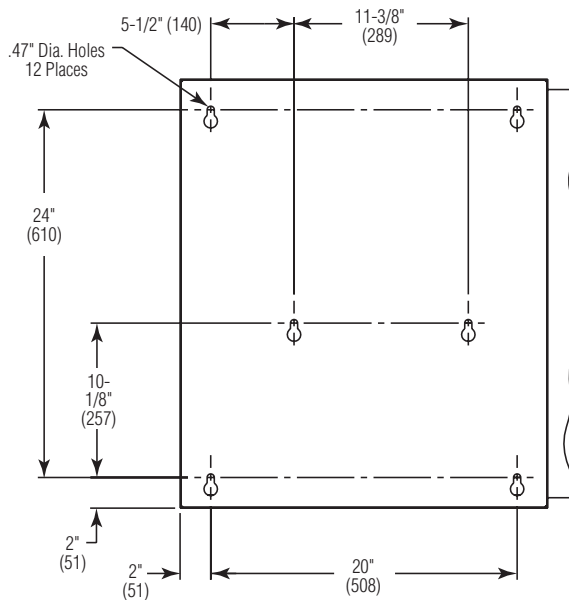
Side View



Front View



Back View



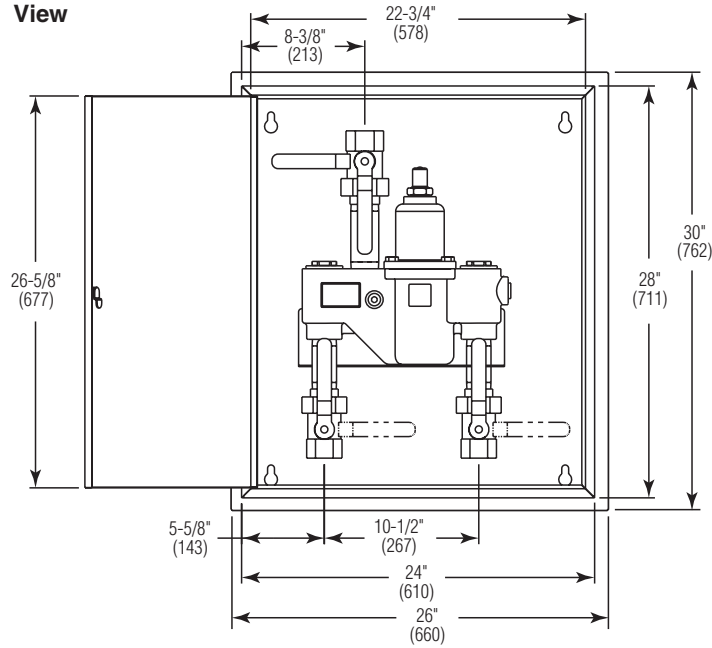


# S19-2300 (EFX125) Emergency Fixture Thermostatic Mixing Valves

Dimensions — S19-2300 Recessed Cabinet

(mm)

Front View



Side View

