

PROVINCETOWN

SINGLE-HOLE BATHROOM FAUCET

SKU: 948579



FEATURES

- Installation Type: Single-Hole
- Handle Type: Lever
- Design: Modern
- Faucet Material: Brass
- Ceramic Disc Cartridges: Yes
- Hot and Cold Indicators: No
- Drain Included: Yes
- Overflow Hole: Yes
- Drain is Only Compatible With Sinks
That Have an Overflow

CONTENTS

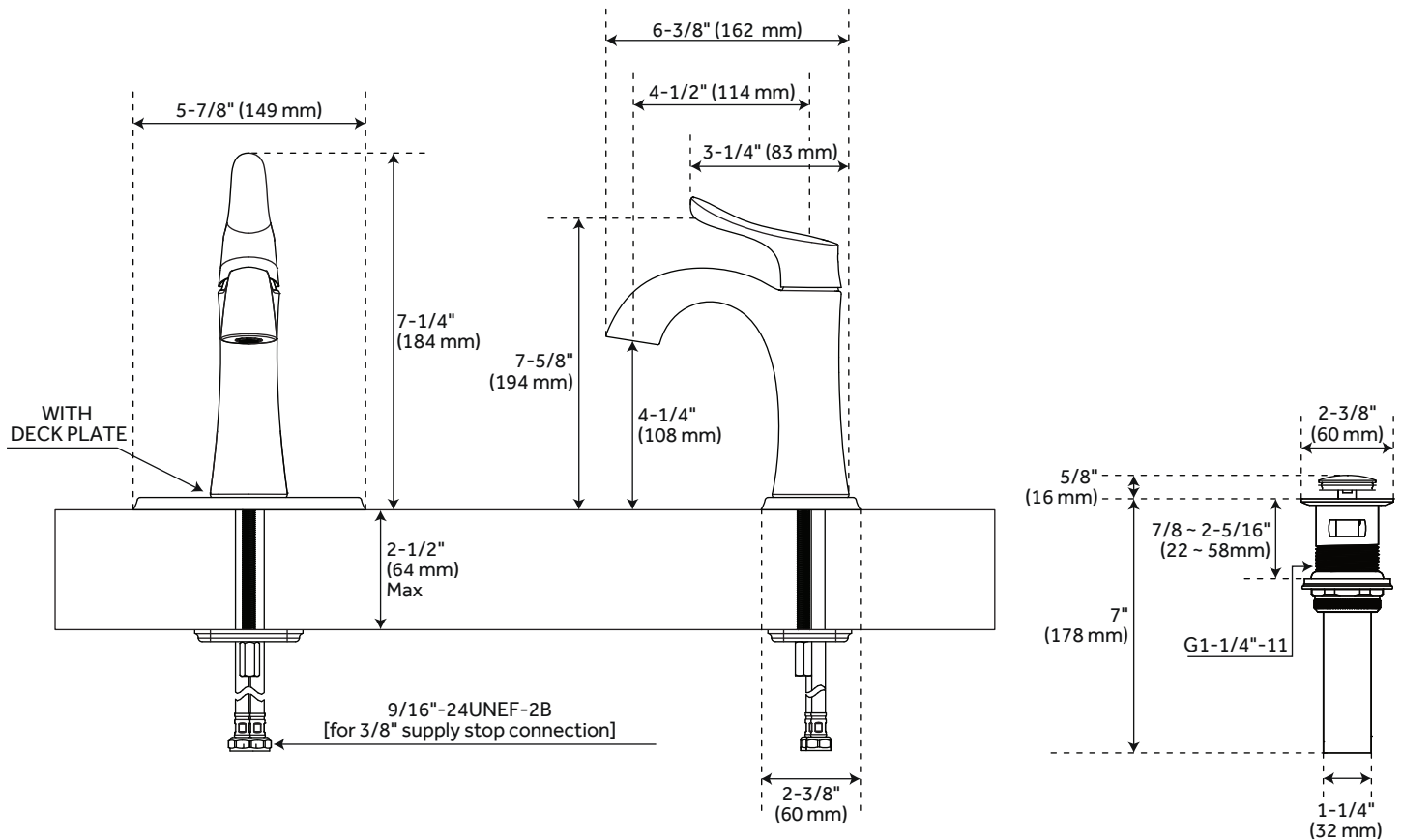
- FAUCET (WITH DECK PLATE) PAGE 2
- FAUCET (WITHOUT DECK PLATE) PAGE 3

REVISED 04/02/2021

PROVINCETOWN

SINGLE-HOLE BATHROOM FAUCET - WITH DECKPLATE

SKU: 948579



FEATURES

- Max. Countertop Thickness: 2-1/2"
- Length: 5-7/8"
- Width: 6-3/8"
- Height: 7-1/4"
- Height to Spout: 4-1/4"
- Spout Reach: 4-1/2"
- Base Plate Length: 5-7/8"
- Base Plate Width: 2-3/8"
- Handle Length: 3-1/4"
- Height to Bottom of Handle: 7-5/8"
- IPS: 1/2"
- Drain Size: 1-1/2"
- Maximum Flow Rate:
1.2 gpm (4.5L/min) max @ 60 psi

CODES/STANDARDS

- cUPC
- ASME A112.18.1/CSA B125.1
- NSF/ANSI 61
- NSF/ANSI 372
- ICC/ANSI A117.1 (when installed
according to ADA standards)
- WaterSense
- CEC Listed
- Massachusetts Accepted



PRODUCT IMAGE



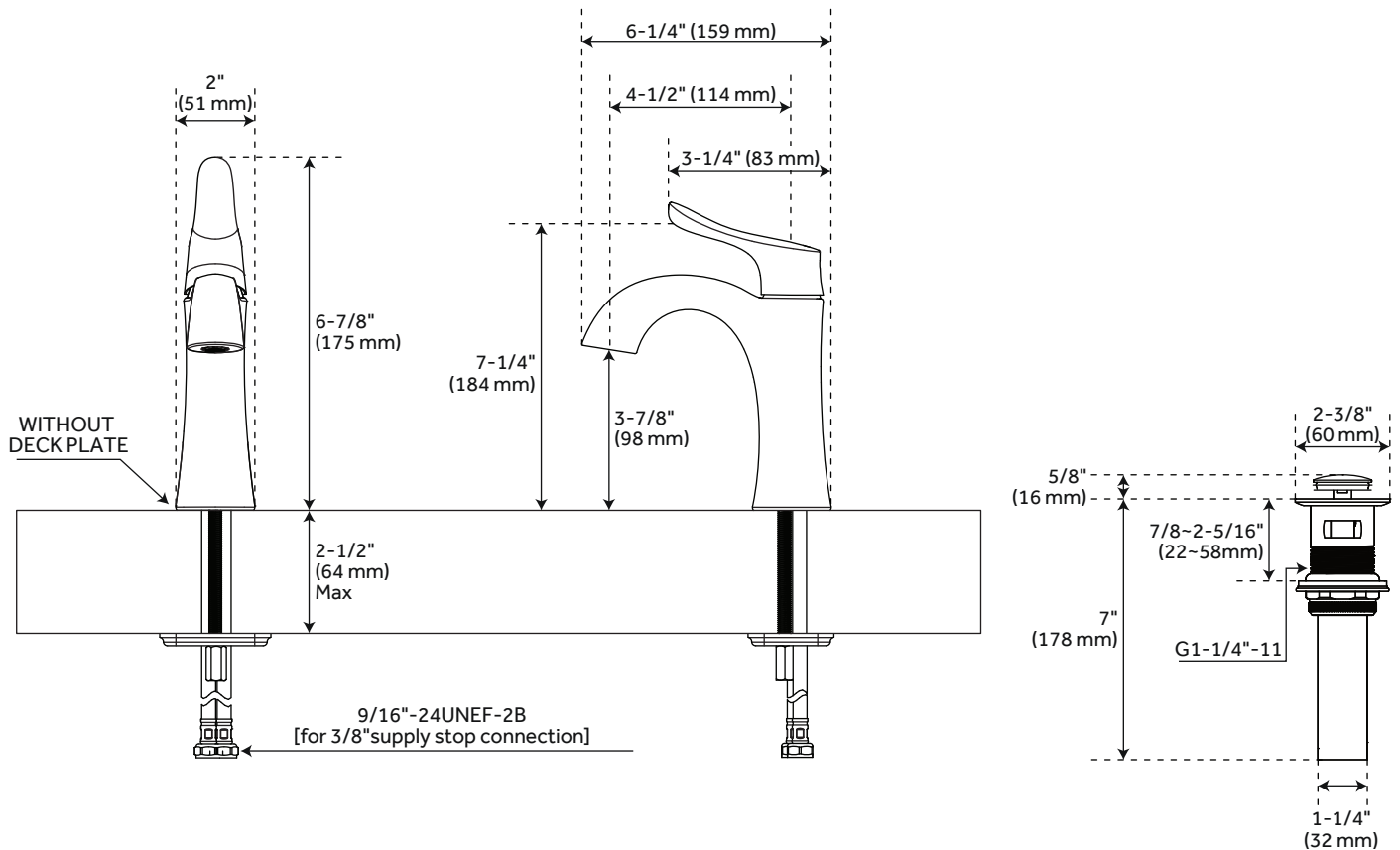
All dimensions and specifications are nominal and may vary. Use actual products for accuracy in critical situations.

PAGE 3
Code: SHWSCPR100

PROVINCETOWN

SINGLE-HOLE BATHROOM FAUCET - WITHOUT DECKPLATE

SKU: 948579



FEATURES

- Max. Countertop Thickness: 2-1/2"
- Length: 2"
- Width: 6-1/4"
- Height: 6-7/8"
- Height to Spout: 3-7/8"
- Spout Reach: 4-1/2"
- Base Plate Length: 2"
- Base Plate Width: 2"
- Handle Length: 3-1/4"
- Height to Bottom of Handle: 7-1/4"
- IPS: 1/2"
- Drain Size: 1-1/2"
- Maximum Flow Rate:
1.2 gpm (4.5L/min) max @ 60 psi

CODES/STANDARDS

- cUPC
- ASME A112.18.1/CSA B125.1
- NSF/ANSI 61
- NSF/ANSI 372
- ICC/ANSI A117.1 (when installed
according to ADA standards)
- WaterSense
- CEC Listed
- Massachusetts Accepted



PRODUCT IMAGE



All dimensions and specifications are nominal and may vary. Use actual products for accuracy in critical situations.

PAGE 2
Code: SHWSCPR100