

SPECIFICATION SUBMITTAL SHEET



Schedule 40 Waste & Overflow - Classic High-flow Half Kit w/Test Kit and Turn Top Stopper

Job Name: _____
 Job Location: _____
 Engineer: _____
 Approval: _____

Contractor: _____
 Approval: _____
 Contractor's PO#: _____
 Representative: _____

Specifications

"Classic" High-flow Bath Waste & Overflow

Half Kit (Less Pipe and Tee) with Test Kit

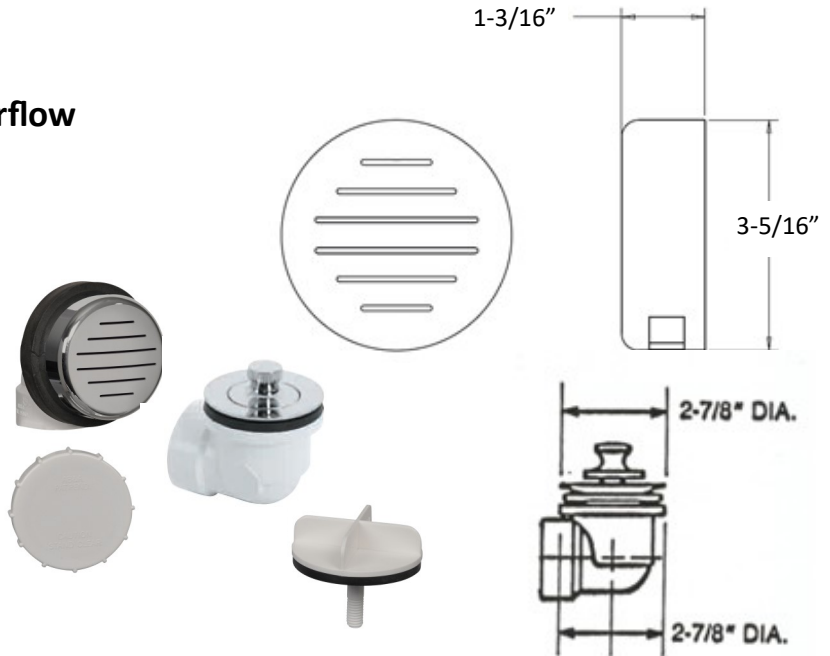
Test kit rated up to 4 stories

**Brass Strainer 1-1/2 x 11-1/2" Pipe Size
and Turn Top Stopper**

UPC Listed

Manufactured to ASME Standard

ASME A 112.18.2-2005 / CSA B 125.2-05



Product Code	Product Description	Model	Units/Case
ABS			
62127	Chrome	ABA2250HF	20
62015	Chrome with Zinc Strainer	ABA2250ZHF	20
62233	Satin Nickel	ABA2254SNHF	6
62132	Venetian Bronze	ABA2254VBHF	6
62130	Oil Rubbed Bronze	ABA2254ORBHF	6
PVC			
62016	Chrome	ABA2251HF	20
62017	Chrome with Zinc Strainer	ABA2251ZHF	20
62136	Satin Nickel	ABA2255SNHF	20
62231	Venetian Bronze	ABA2255VBHF	20
62135	Oil Rubbed Bronze	ABA2255ORBHF	20

