

4

3

2

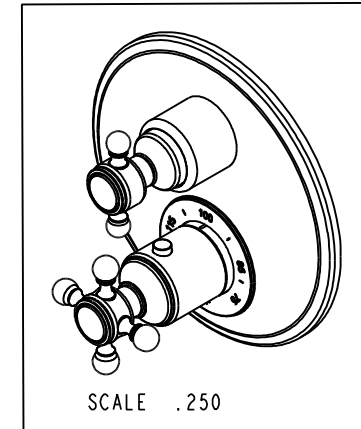
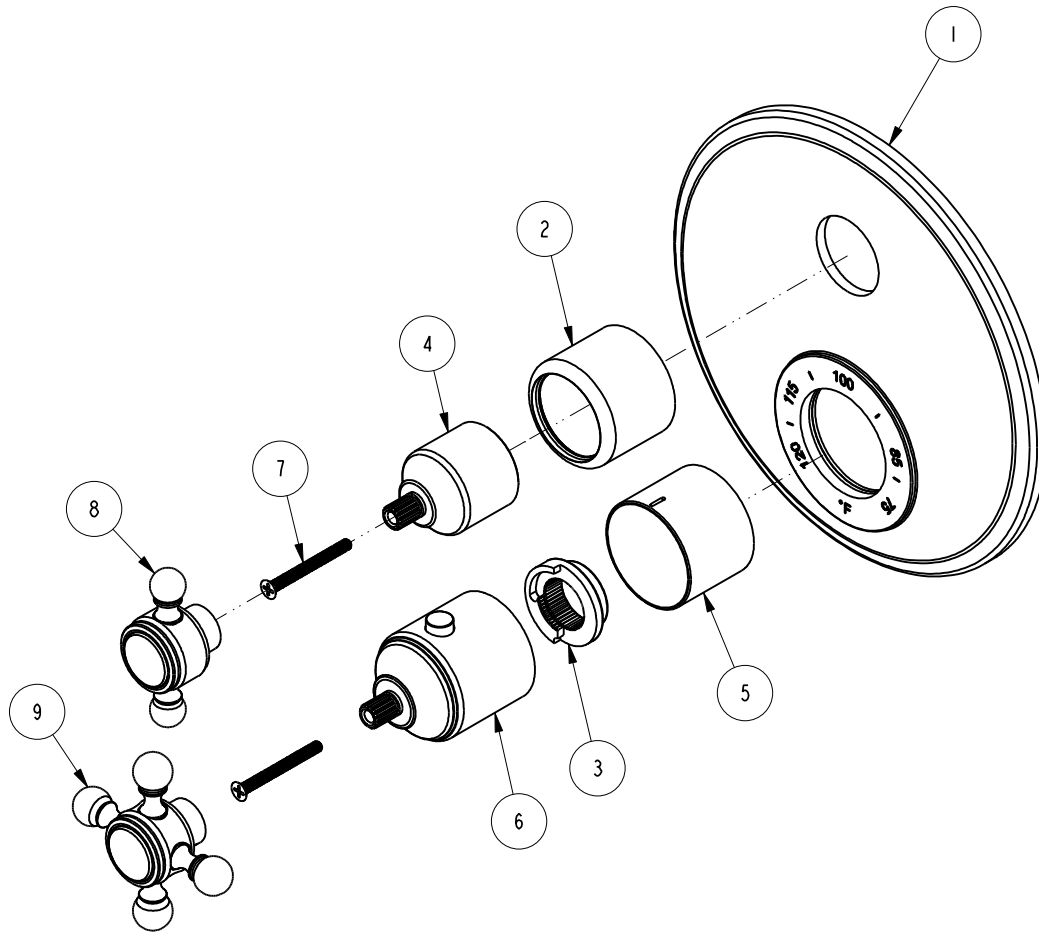
1

NOTES:

- (N1) 1. FIT / FORM / FUNCTION SHALL FOLLOW PS-E.008.

BILL OF MATERIAL (CURRENT LEVEL)

ITEM	PT/ASSY	DESCRIPTION	TYPE	QTY.
1	2-994	TUB AND SHOWER PLATE ASM	ASSEMBLY	1
2	2-989	COLLAR ASM	ASSEMBLY	1
3	91308	TEMP LIMIT STOP - THERMO	PART	1
4	12344	HANDLE BONNET	PART	1
5	12345	SLEEVE - THERMO	PART	1
6	2-991	THERMO BONNET ASM	ASSEMBLY	1
7	92113	SCRW, M4 X .7 X 40 PHL FLT HD SS	PART	2
8	2-273	THERMO HANDLE ASM	ASSEMBLY	1
9	2-268	CROSS HANDLE ONLY - BLANK	ASSEMBLY	1



TESTING	-	-	-	UNITS ARE: INCHES [MM] TOLERANCES ARE: FRACTIONS DECIMALS ANGLES $\pm 1/16''$.X $\pm .1$ [2.5] $\pm 1''$.XX $\pm .06$ [1.5]
ASSEMBLY	-	-	-	(X.XXX) DENOTES CRITICAL DIMS. ALL THREADS ARE CRITICAL
PLATING	-	-	-	DRAWN RAVINDRA 08/20/15
POLISHING	-	NEXT ASSY	USED ON	CHECKED JINSON 08/20/15
MACHINING	-	APPLICATION		APPROVED J.M. 08/20/15
TOOLING FIXTURE #	REMOVE ALL BURRS AND SHARP EDGES			

COPYRIGHT 2005 BRASSTECH, INC.
THESE DRAWINGS AND THE DESIGNS
DEPICTED HEREIN ARE THE PROPRIETARY
PROPERTY OF BRASSTECH. ANY USE
OR REPRODUCTION IS SUBJECT TO
THE EXPRESS APPROVAL OF BRASSTECH.
UNAUTHORIZED USE IS STRICTLY
PROHIBITED. ALL RIGHTS RESERVED.

ZONE	REV	DESCRIPTION	DATE	APPROVED
-	-	EN-2775f	08/20/15	J.M.

BRASSTECH 2001 CARNEGIE AVE.
INCORPORATED SANTA ANA, CA 92705
(949) 417-5207

THERMO TUB / SHOWER

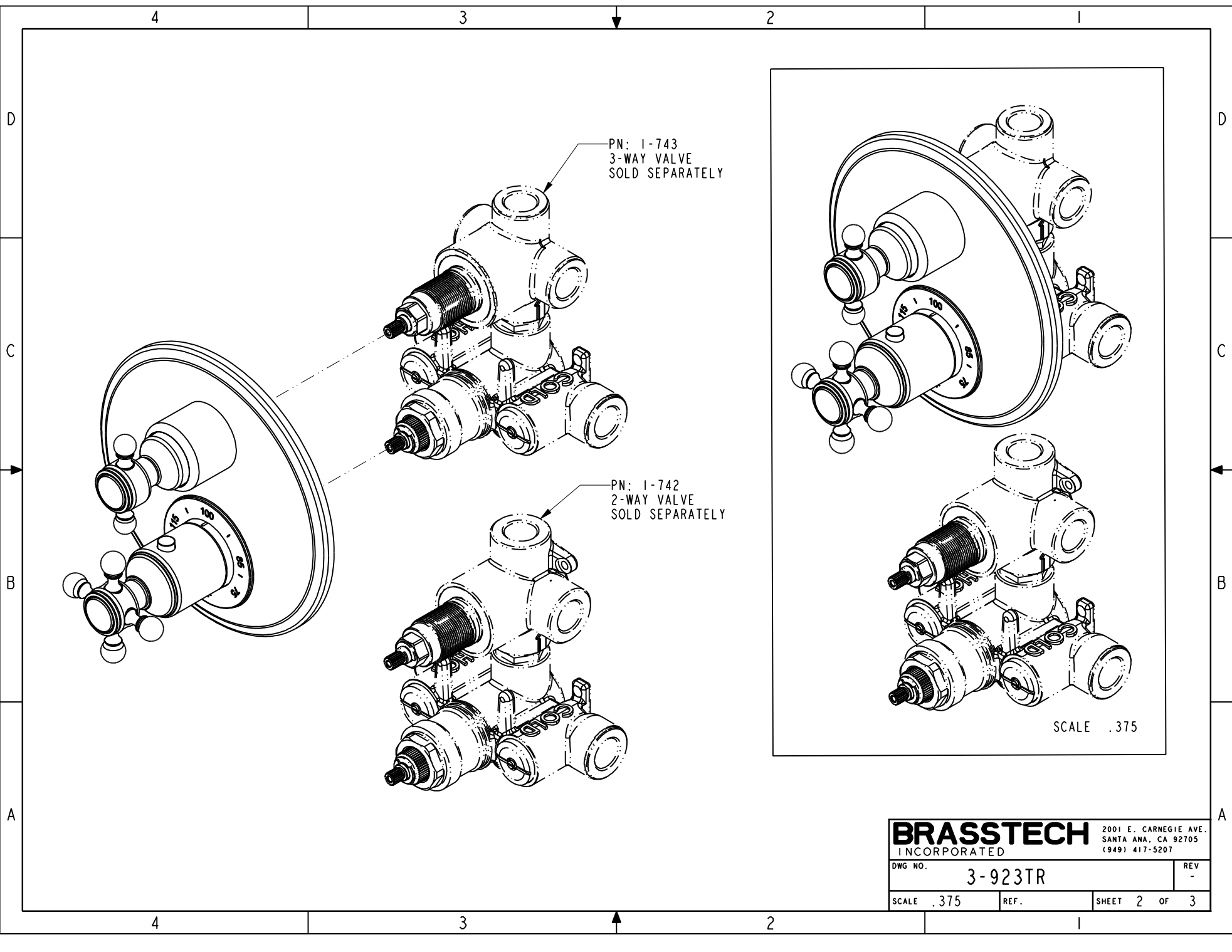
DWG NO.	3-923TR	REV	-
SCALE	.375	REF.	-
SHEET	1	OF	3

4

3

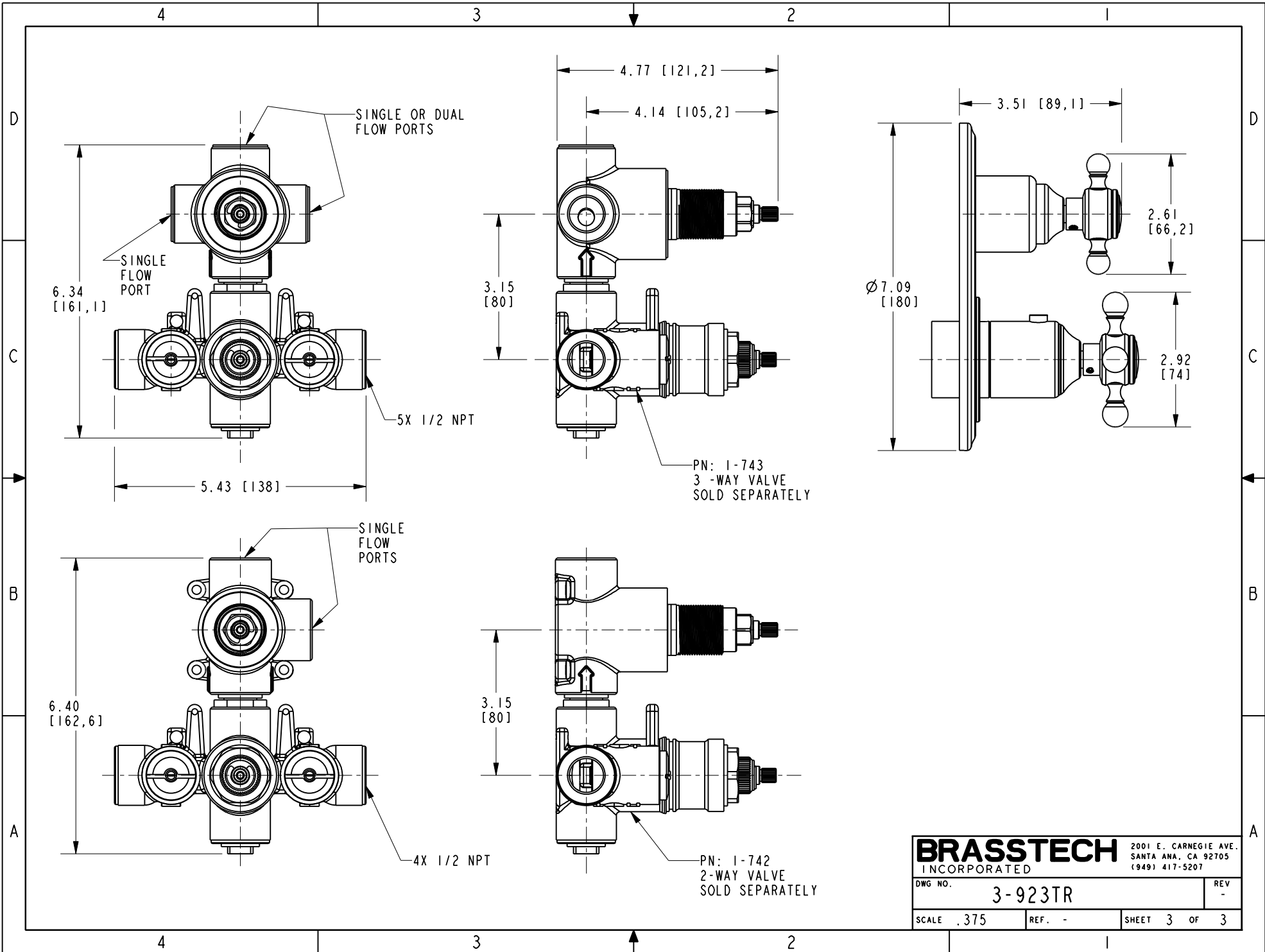
2

1



BRASSTECH 2001 E. CARNEGIE AVE.
INCORPORATED SANTA ANA, CA 92705
(949) 417-5207

DWG NO.	3-923TR	REV	-
SCALE .375	REF.	SHEET 2	OF 3



SINGLE OR DUAL FLOW PORTS

SINGLE FLOW PORT

6.34 [161,11]

5X 1/2 NPT

5.43 [138]

SINGLE FLOW PORTS

6.40 [162,6]

4X 1/2 NPT

4.77 [121,2]

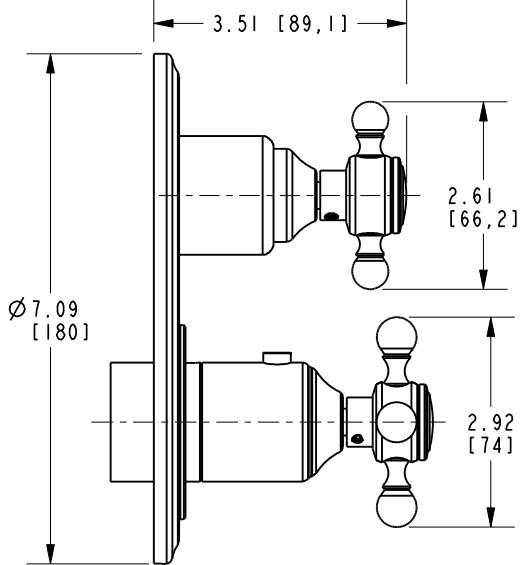
4.14 [105,2]

3.15 [80]

PN: 1-743
3-WAY VALVE
SOLD SEPARATELY

3.15 [80]

PN: 1-742
2-WAY VALVE
SOLD SEPARATELY



Ø 7.09 [180]

3.51 [89,11]

2.61 [66,2]

2.92 [74]

BRASSTECH		2001 E. CARNEGIE AVE. SANTA ANA, CA 92705 (949) 417-5207	
DWG NO.	3-923TR		REV -
SCALE .375	REF. -	SHEET 3 OF 3	