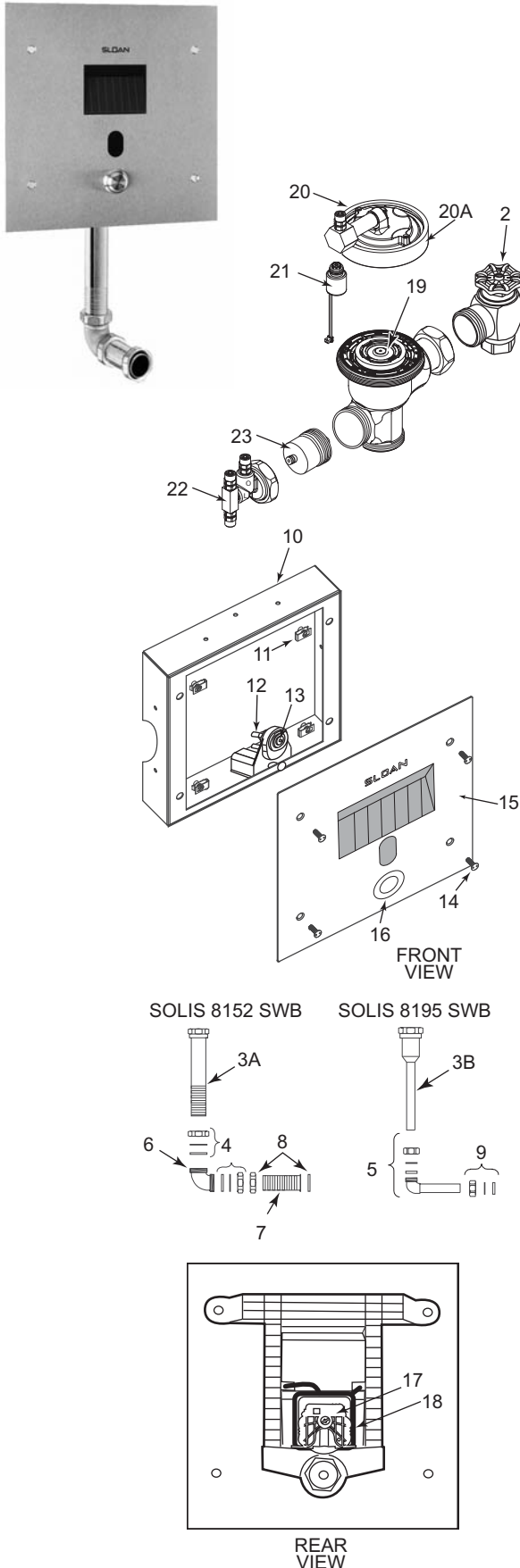


Sloan SOLIS® Concealed Flushometers

Sensor
Flushometers



PARTS LIST

Item No.	Code No.	Part No.	Description
1	0301050	A-143-A	RB Hydraulic Valve Body
2	0388010	H-730-A	RB Bak-Chek® 1" Control Stop
	0388011	H-730-A	RB Bak-Chek® 3/4" Control Stop
3A	†	V-500-AA	1-1/2" (38 mm) Vacuum Breaker Assembly RB (Model 8152)
3B	†	V-500-AA	3/4" (19 mm) Vacuum Breaker Assembly RB (Model 8195)
4	0306619	F-2-AA	1-1/2" (38 mm) Slip Joint Coupling RB (Set of Two)
5	‡	F-15-A	ELL with 3/4" (19 mm) Tail RB (Model 8195)
6	0206146PK	F-21	1-1/2" (38 mm) Double Male Slip Elbow
7	‡	F-100	1-1/2" (38 mm) Outlet Tube RB
8	0306091	F-2-A	1-1/2" (38 mm) Coupling with S-21 Gasket
9	0306054	F-2-AW	3/4" (19 mm) Slip Joint Coupling RB
10	‡	‡	Frame
11	0334017PK	WB-18	U-Type Nuts (4)
12	0318123	HY-71-A-1	Hydraulic Actuator Assembly with Fittings
13	—	—	Override Mount Assembly
14	—	—	1/4-20 x 1 1/2 Tamper Resistant Screws (4)
15	‡	‡	Wall Plate Assembly
16	‡	—	Override Button Assembly
17	‡	‡	Sensor Assembly
18	‡	‡	Sensor Retainer
19	‡	‡	Dual Filtered Fixed Bypass Diaphragm
20	0000000	EBV-355-A	Cover Assembly (includes items 20A and 21)
20A	0325804PK	EBV-14	Coupling
21	0000000	EBV-356-A	Solenoid
22	0000000	—	Valve Actuator Assembly for SOLIS concealed
23	3318001	HY-83-A	Actuator Cartridge
	—	HY-30-84	1/4" (6 mm) x 84" (2134 mm) Connecting Tubes (not shown)
	—	HY-30-24	1/4" (6 mm) x 24" (610 mm) Connecting Tubes (not shown)

† Flow volume varies with valve model and desired flush volume.
‡ Code and/or Part number varies with valve model variation; consult factory.

ITEM 4A. SLIP JOINT GASKETS AND RINGS

Size	Code No.	Part No.	Description
1-1/2"	5306058	F-3	Red Friction Ring
	5322001	VBF-5	Black Slip Joint Gasket
	0319086/5319086	S-30	Flexible Seat
	0319079	S-21	Rigid Seat (rubber over brass)
1-1/2" x 1-1/4"	0396062	F-105	Slip Joint Gasket – Rigid
1-1/4"	5306057	F-3	Red Friction Ring
	5322176	VBF-5	Black Slip Joint Gasket
	0307052/5307052	G-21	Rigid Seat (rubber over brass)
1"	5306056	F-3	Red Friction Ring
	5306115	F-5	Black Slip Joint Gasket
3/4"	5306055	F-3	Red Friction Ring
	5306113	F-5	Black Slip Joint Gasket

Sloan SOLIS® Concealed Flushometers

TROUBLESHOOTING GUIDE

NOTE: Upon detection of the user, the red indicator light flashes slowly for a period of eight seconds. When the user leaves the detection range, the indicator light flashes rapidly and the Sensor initiates the flush sequence. Then the indicator light stops flashing and the valve flushes. The valve will flush after a three-second delay.

1. Sensor flashes continuously only when user steps within range.

A. Unit in Start-Up mode; no problem. This feature is active for the first ten (10) minutes of operation.

2. Valve does not flush; sensor does not picking up user.

A. Range too short; increase the range.

3. Valve does not flush; sensor picking up opposite wall or surface, or only flushes when someone walks by. Light flashes continuously for first 10 minutes even with no one in front of the sensor.

A. Range too long; shorten range.

4. Valve does not flush even after adjustment.

A. Range Adjustment Potentiometer set at full "max" or full "min" setting. Re-adjust Potentiometer away from full "max" or "min" setting.

B. Batteries completely used up; replace batteries.

C. Problem with Electronic Sensor module; replace Electronic Sensor module.

5. Unit flashes 4 quick times when user steps within range.

A. Batteries low; replace batteries.

6. Valve does not shut off.

A. Bypass Orifice in Diaphragm is clogged with dirt or debris, or Bypass is clogged by an invisible gelatinous film due to "over-treated" water. Remove Flex Tube Diaphragm and wash under running water. Note: Size of Orifice in the Bypass is of utmost importance for the proper metering of water by the valve. DO NOT ENLARGE OR DAMAGE THIS ORIFICE. Replace Flex Tube Diaphragm if cleaning does not correct the problem.

B. Dirt or debris fouling Stem or Flex Tube Diaphragm. Remove Flex Tube Diaphragm and wash under running water.

C. O-ring on Stem of Flex Tube Diaphragm is damaged or worn. Replace O-ring if necessary.

D. Problem with Electronic Sensor Module; replace Sensor Module.

7. Not enough water to fixture.

A. Wrong Flush Volume Regulator installed in Flex Tube Diaphragm Kit. Install the correct Regulator (see Step 4 of these instructions).

B. Wrong Sloan SOLIS® model installed; i.e., 1 gpf. urinal installed on 3.5 gal. Closet fixture. Replace with proper Sloan SOLIS® model.

C. Enlarged Bypass in Diaphragm. Replace Flex Tube Diaphragm.

D. Control Stop not adjusted properly. Readjust Control Stop.

E. Inadequate volume or pressure at supply. Increase water pressure or supply (flow) to valve. Consult factory for assistance.

8. Too much water to fixture.

A. Wrong Flush Volume Regulator installed in Flex Tube Diaphragm Kit. Install the correct Regulator.

B. Control Stop not adjusted properly. Readjust Control Stop.

C. Wrong Sloan SOLIS® model installed; i.e., 3 gpf. model installed on 1.0 or 1.5 gal. urinal fixture. Replace with proper Sloan SOLIS® model.

D. Dirt in Diaphragm Bypass. Clean under running water or replace Flex Tube Diaphragm.

Note: The EBV-46-A Beam Deflector is not required or available for the Sloan SOLIS®.

!!! IMPORTANT — CONTROL STOP SETTING !!!

NEVER OPEN CONTROL STOP TO WHERE THE FLOW FROM THE VALVE EXCEEDS THE FLOW CAPABILITY OF THE FIXTURE. IN THE EVENT OF A VALVE FAILURE, THE FIXTURE MUST BE ABLE TO ACCOMMODATE A CONTINUOUS FLOW FROM THE VALVE.

CARE AND CLEANING INSTRUCTIONS

DO NOT USE abrasive or chemical cleaners to clean flushometers that may dull the luster and attack the chrome or special decorative finishes. Use **ONLY** mild soap and water, then wipe dry with a clean towel or cloth.

When cleaning the bathroom tile, protect the flushometer from any splattering of cleaner. Acids and cleaning fluids can discolor or remove chrome plating.

When assistance is required, please contact Sloan Technical Support at: 1-888-SLOAN-14 (1-888-756-2614).