

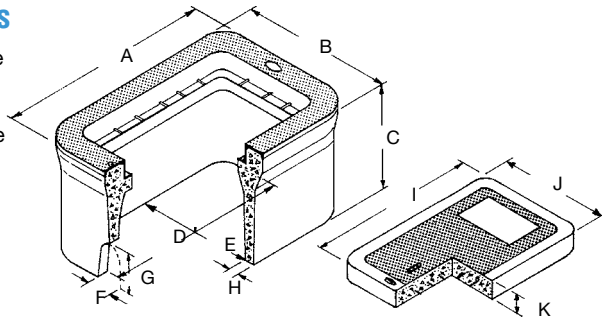
## CHRISTY CONCRETE UTILITY BOXES (REGIONAL AVAILABILITY)

### B3, B9, B16 Utility Boxes

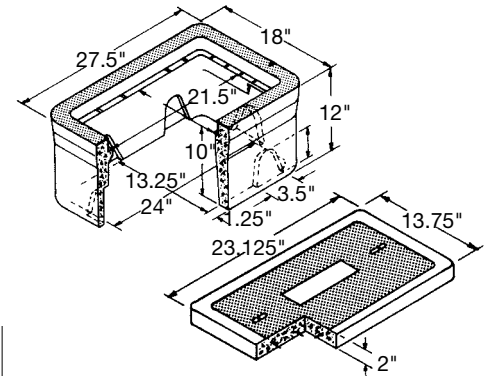
A high density reinforced concrete box with non-setting shoulders positioned to maintain grade and facilitate back filling. Approximate dimensions shown.

**Features:**

- Etched polyethylene face
- Face anchored in concrete
- Ultraviolet inhibitor



### B30 UTILITY BOX



### B30 Utility Box 13 -1/4" x 24"

A high density reinforced concrete box with non-setting shoulders positioned to maintain grade and facilitate back filling.

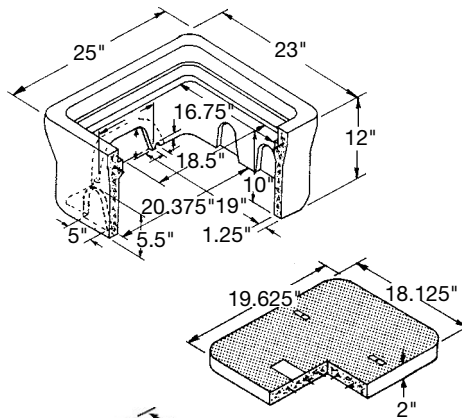
### B3 Utility Box 9 7/8" x 16-1/4"

**Dimensions:**

- A=19"      B=13.25"
- C=12"      D=15.5"
- E=9.375"      F=2.75"
- G=4.25"      H=1"
- I=14.5"      J=8.25"
- K=1.125"

ITEM	DESCRIPTION
37000110	B-3 CHRISTY METER BOX 9 X 16
37000120	B-3D CHRISTY LID - WATER
37000122	B-3D CHRISTY LID - ELECTRIC
37000150	B-3TL CI LOCKING LID - WATER
37000160	B-3K CHRISTY KEY FOR B3TL LID

### B24 UTILITY BOX

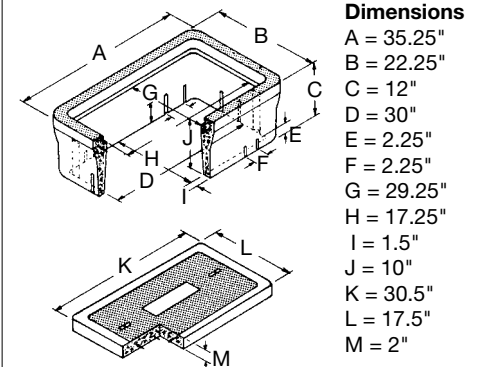


### B24 Utility Box 18" x 19-1/2"

A high density reinforced concrete box designed to permit the installation of 2 meters in the same box. Non-setting shoulders are positioned to maintain grade and facilitate backfilling. Approximate dimensions shown.

ITEM	DESCRIPTION
37000410	B-24 CHRISTY METR BOX 18 X 20
37000420	B-24D CHRISTY LID - WATER
37000450	V24-71C CHRISTY C.I. GRATE

### B36 Utility Box 17-1/4" x 30"



A high density reinforced concrete box with non-setting shoulders positioned to maintain grade and facilitate back filling.

ITEM	DESCRIPTION
37000610	B-36 CHRISTY METER BOX 17 X 30
37000620	B-36D CHRISTY LID - WATER

### B9 Utility Box 10 5/8" x 17-1/4"

**Dimensions:**

- A=19.75"      B=14.25"
- C=12"      D=17.25"
- E=10.25"      F=3"
- G=4.25"      H=1"
- I=15.25"      J=10"
- K=1.75"

ITEM	DESCRIPTION
37000210	B-9 CHRISTY METER BOX 10 X 17
37000220	B-9D CHRISTY LID - WATER
37000222	N-9D/B-9D CHRISTY LID - ELECTRIC
37000230	B-9X12 CHRISTY EXT FOR B-9
37000240	B-9C CHRISTY CI LID - WATER
37000250	B-9-71C CHRISTY CI DRAIN GRATE
37000260	B-9TL CI LOCKING LID - WATER

### B16 Utility Box 12" x 22-1/4"

**Dimensions:**

- A=25.25"      B=15.75"
- C=12"      D=22.25"
- E=12"      F=4.75"
- G=4.5"      H=1"
- I=20.625"      J=10.5"
- K=2"

ITEM	DESCRIPTION
37000310	B-16 CHRISTY METER BOX 12 X 22
37000320	B-16D CHRISTY LID - WATER

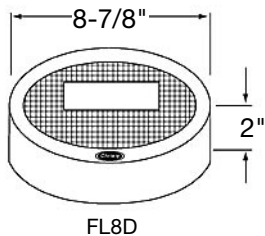
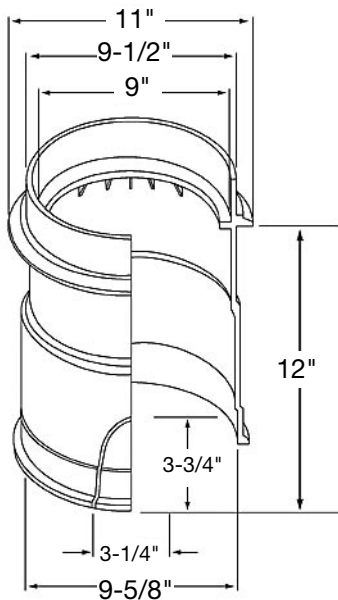
## CHRISTY NON-CONCRETE/POLYMER UTILITY BOXES (REGIONAL AVAILABILITY)

### FL8, FL9, FL30 and FL36 Fibrelyte Utility Boxes

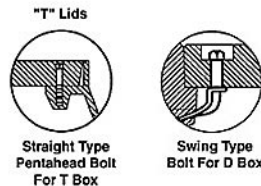
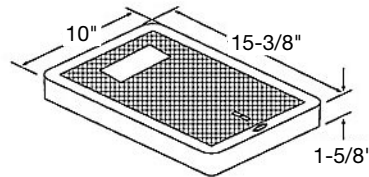
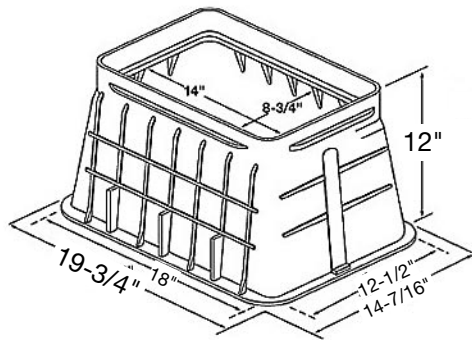
Fibrelyte is a proven polyester pre-mix with calcium carbonate and polyester resins interlaced with fiberglass and ultra-violet inhibitors. Approximate dimensions shown.

All Fibrelyte valve and utility boxes are designed to receive either Fibrelyte, standard Christy concrete or cast iron lids. Fibrelyte is a durable, state and utility approved, non-combustible material.

### FL8 UTILITY BOX 9" x 12"

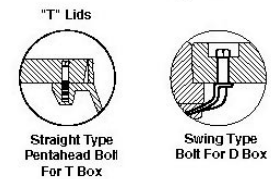
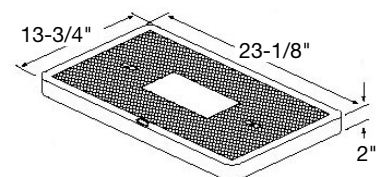
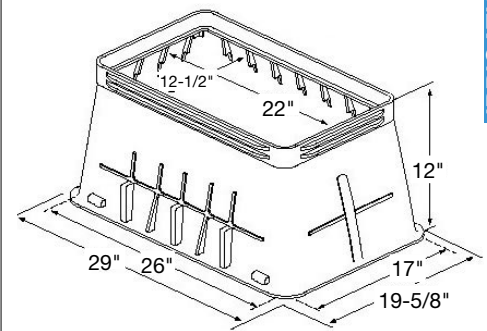


ITEM	DESCRIPTION
37000710	FL-8T CHRISTY FIBRYLT BOX 9X12
37000720	FL-8D CHRISTY LID - WATER
37000722	FL-8D CHRISTY LID - ELECTRIC
37000730	FL-8T BOLT-DOWN LID - WATER



### FL9 UTILITY BOX 10" x 17"

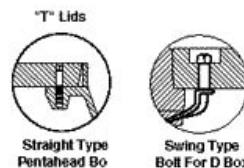
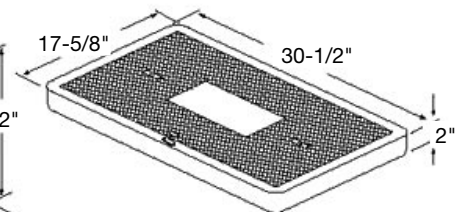
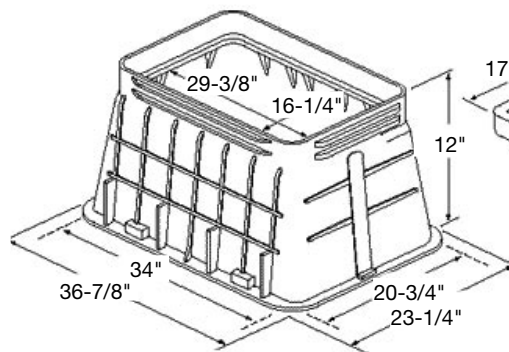
ITEM	DESCRIPTION
37000810	FL-9 CHRISTY FIBRYLT BOX 10 X17
37000820	FL-9D CHRISTY LID - WATER
37000830	FL-9T BOLT-DOWN LID - WATER



### FL30 UTILITY BOX 13" x 24"

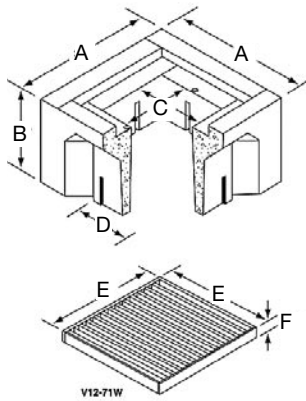
ITEM	DESCRIPTION
37000910	FL-30-12 FIBRELYTE BOX 13 X24
37000920	FL-30D CHRISTY LID - WATER
37000930	FL-30T BOLT-DOWN LID - WATER

### FL36 UTILITY BOX 17" x 30"



ITEM	DESCRIPTION
37001010	FL-36-12 FIBERLYTE BOX 17 X30
37001016	FL-36-20 FIBERLYTE BOX 17 X 30
37001020	FL-36D CHRISTY LID - WATER
37001030	FL-36T BOLT-DOWN LID - WATER

## V12 Drain Box 12" x 12"

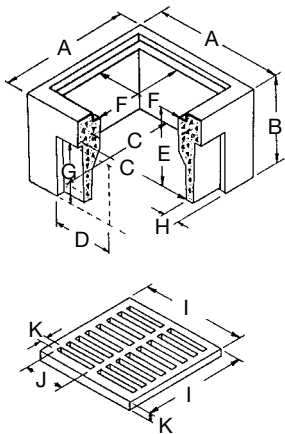


**Dimensions**  
 A = 20"  
 B = 12"  
 C = 20"  
 D = 8"  
 E = 15"  
 F = 6.5"

Welded steel bar grate supplied with hold down bolts. A high density reinforced concrete box with a cast in galvanized frame, specifically engineered for heavy traffic areas.

ITEM	DESCRIPTION
37001810	V-12 CHRISTY DRAIN BOX
37001820	V-12-71W CHRISTY C.I. GRATE

## V64 Drain Box 18-3/8" x 18-3/8"

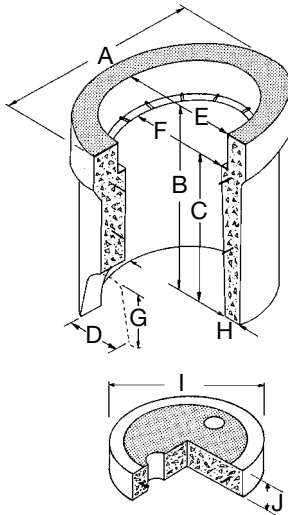


**Dimensions**  
 A = 22"  
 B = 12"  
 C = 18.375"  
 D = 9.5"  
 E = 11"  
 F = 16"  
 G = 6.5"  
 H = 1.75"  
 I = 15.875"  
 J = 6.25"  
 K = .75"

The concrete drain box has a cast in galvanized frame and is specifically engineered for drainage in medium traffic areas such as parking lots, school grounds, walkways, etc. Its design permits final grading material to "lock in" and finish clean. Knockouts accommodate up to 8" O.D. pipe.

ITEM	DESCRIPTION
37001910	V-64 CHRISTY DRAIN BOX
37001920	V-64-71C CHRISTY C.I. GRATE
37001930	V-64 X 12 CHRISTY EXT FOR V-64

## F8 Curb Valve Box 8-1/2" I.D. x 11-3/4"



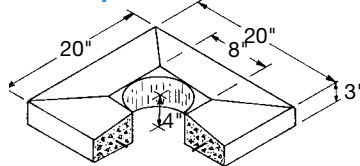
**Dimensions**  
 A = 12.375"  
 B = 11.75"  
 C = 9.75"  
 D = 2.75"  
 E = 9"  
 F = 7.125"  
 G = 4.5"  
 H = 1.375"  
 I = 8.875"  
 J = 2"

A high density reinforced concrete box used for access to underground valves. This box has tapered sides to prevent settling.

- Features:**
- Etched polyethylene face
  - Face anchored in concrete
  - Ultraviolet inhibitor

ITEM	DESCRIPTION
37002020	F8 CURB VALVE BOX 8 X 12
37002120	F-8D LID - WATER
37002122	F-8D LID - ELECTRIC
37002124	F-8D LID - SEWER
37002126	F-8D CHRISTY LID - "C.O."
37002130	F-8C CAST IRON LID - WATER
37002140	F-8-71C CHRISTY DRAIN GRATE

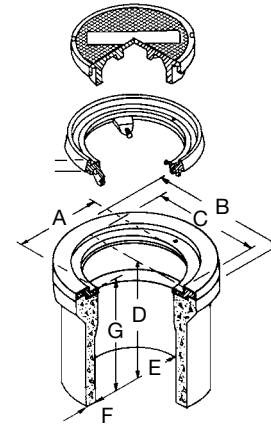
## Sprinkler Blocks



A precast concrete protector for a variety of sprinkler heads. For extra heavy duty applications where maximum protection is required. Can be set above grade or at ground level. Approximately dimensions shown.

ITEM	DESCRIPTION
37002310	SB-1A TYPE A SPNKLR BLK 14X14
37002315	SB-1B TYPE B SPNKLR BLK 8 5/8
37002320	SB-1C TYPE C SPNKLR BLK 20X20

## G5 Traffic Valve Box 10 3/8" I.D. x 12"

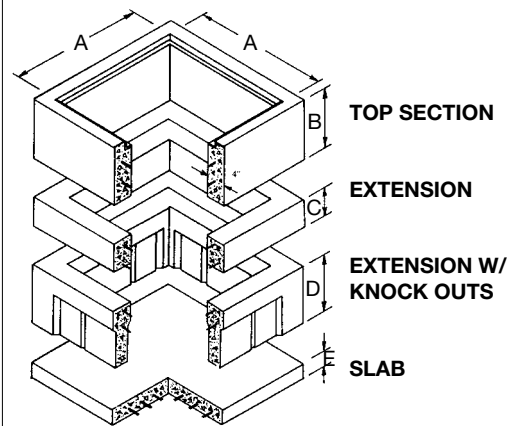


**Dimensions:**  
 A = 9"  
 B = 14.25"  
 C = 11.125"  
 D = 12"  
 E = 10.375"  
 F = 1"  
 G = 11.375"

The largest throat diameter for any box in its size range permits quick, easy valve adjustments. The large throat also makes this unit highly adaptable as a survey monument box.

ITEM	DESCRIPTION
37002210	G5BOX TRAFFIC VALVE BOX
37002220	G5C TRAFFIC LID C.I. C275

## U21S Sectional Catch Basin 2' x 2' I.D.



- Features:**
- Cast-in galvanized frame for grates
  - 1-1/2" x 1-1/2" angle iron with anchor bolts
  - Will not accept welded steel grates

**Dimensions:**  
 A = 2' B = 12" C = 6" D = 12" E = 3"

ITEM	DESCRIPTION
37002410	U21S CHRISTY 12IN TOP SECTION
37002420	U21S CHRISTY 6IN TOP SECTION
37002430	U21S CHRISTY 12IN EXT W/KO
37002440	U21S CHRISTY 6IN EXTENSION
37002450	U21SSL CHRISTY 33 X 33 SLAB
37002460	U21-NT CHRISTY NON-TRAFGC GRATE
37002470	U21-HT CHRISTY HVY TRAFGC GRATE