



## **ASVF Anti-siphon Valve Operation Manual**

DAS-075 | ASVF 3/4"

DAS-100 | ASVF 1"



## ASVF Anti-siphon Valve Operation Manual

For use with all standard sprinkler controllers with 24 volt AC output. The DAS I ASVF valves are diaphragm anti-siphon valves with flow control and atmospheric vacuum breaker.

**NOTE:** These Rain Bird valves are designed for use with static water pressures of a **MAXIMUM** of 150 PSI. For higher

pressures, a pressure regulator should be installed. These valves are for outdoor watering use only.

For dirty water systems-using wells, lakes, ditches, etc. for your water supply, be sure to install a 100 mesh (or finer) wire filter or screen filter before the electric valves. For use in cold water less than 110°F (43.3°C), applications only.

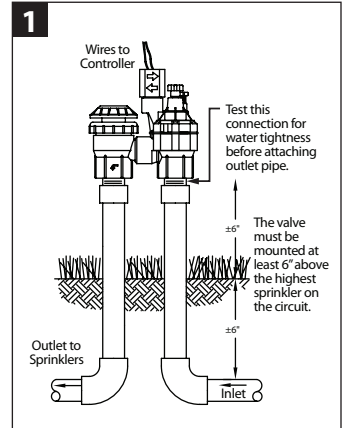
### Anti-Siphon Valves for Backflow Prevention

The DAS/ASVF models meet or exceed most building code requirements for connecting a sprinkler system to a city water supply.

These valves prevent the possibility of back siphoning of water from sprinkler lines into the drinking water.

The anti-siphon valves must be installed at least 6 inches above the highest sprinkler or elevated piping in the circuit to meet most codes, (See Diagram 1.) (Consult local building code.)

**CAUTION:** Do not use this anti-siphon valve as a main line backflow device, nor as a master valve. It is not designed nor approved to be under constant water pressure on both sides of valve. This valve must be operated continuously for more than twelve (12) hours. Do not install any other valves down stream. If installed incorrectly with constant pressure on both sides of valve, it is possible the valve will fail or burst.



### How to Select the Right Valve Size

The valve size (3/4" or 1") is determined by the water flow (measured in gallons per minute, or GPM) of the main line or the sprinkler circuit.

**3/4" VALVES:** 13 GPM or less.

**1" VALVES:** 14 GPM or more.

1" valves and pipes allow longer runs and more sprinkler heads per circuit, as well as potentially reducing the total number of valves required.

### Assembly of Sprinkler Valves to Pipe

A sprinkler system is made up of one or more groups of sprinklers (called circuits) each operated by its own control valve. Study the illustrations and follow the instructions for proper assembly.

1. Before connecting and testing the assembly, thoroughly flush the main line to prevent debris from damaging the valves.
2. On the inlet side of the control valve, use galvanized steel pipe or thick-walled, Schedule 40 PVC, white plastic pipe, as this pipe is under constant pressure. On the outlet side of the control valve, thin-walled PVC pipe or flexible polyethylene pipe may be used.
3. To assure a watertight connection, use only one to two turns of Teflon tape on the threaded valve-to-pipe connections. **DO NOT USE PIPE SOLVENT OR PIPE DOPE. THIS MAY DAMAGE THE VALVE. DO NOT OVERTIGHTEN.** Screw adapters into place finger tight. Tighten adapters one to two additional turns.
4. Install a master shutoff valve before all electric valves, so that the water can be conveniently turned off if a valve needs servicing.
5. When grouping valves, allow sufficient spacing between valves to unscrew the valve from the pipe (about 6 inches).

- Do not connect the outlet side (piping to sprinkler heads) without first testing for leaks. If the outlet side is connected and there is a leak, the pipe would have to be cut in order to tighten the connection.

## Valve Operation

Your Rain Bird valve offers two features with which you should become familiar.

**FLOW CONTROL:** This feature allows you to control the amount of water going to your sprinklers. To allow more water through the valve, turn the black knob counter-clockwise UNTIL RESISTANCE IS FELT. This is fully open position.

To reduce the amount of water, turn the black knob clockwise. If you keep turning, you can turn the valve all the way off. In this case, the valve will not open.

**MANUAL CONTROL:** This allows you to override your automatic controller and turn your sprinklers on AT THE VALVE. The valve can be turned on manually with the external bleed screw or with the internal solenoid bleed. The solenoid (block cylinder with wires) is wired to your

controller and turns the valve off and on electronically.

To operate manually with the internal bleed, turn the solenoid 1/4 turn counter-clockwise; this opens the valve.

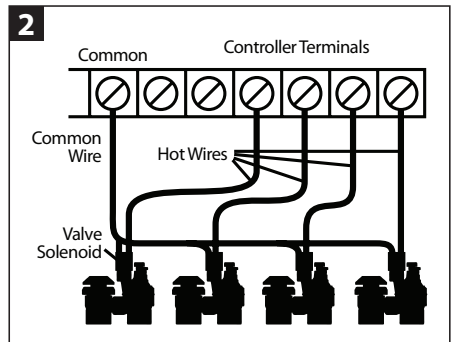
The sprinklers will continue to run until you turn the solenoid back in the clockwise direction (snugly), but do not over-tighten.

To turn on (open) the valve with the external bleed, turn the external bleed screw counter-clockwise, 1/2 turn. Water will exit the external bleed while the valve is on. To turn off the valve, turn the external bleed screw clockwise until snug. Do not over-tighten.

TO OPERATE YOUR VALVE ELECTRONICALLY, BE SURE THE SOLENOID IS TURNED ALL THE WAY TO THE CLOCKWISE POSITION.

## Connection, Testing and Wiring These Valves

- Shut off the water main or the master shutoff valve and connect the valve or valve assembly to the main supply pipe. Be sure the water lines are flushed and clean.
- Test the pipe and valve connections for water tightness as follows:
  - Turn the flow control clockwise (down) to off before turning on the water supply.
  - Turn on the water and check for leaks.
- Now complete the hookup by connecting the outlet pipes from the valves to the sprinklers.
- Set flow control adjustment before making wiring connections.
- WIRE CONNECTIONS (Diagram 2).** Use 18 gauge wire to connect the wires to the controller. Wiring that is to be buried alongside the pipes should be APPROVED for UNDERGROUND use. For all splices, use water tight connectors. (Do not exceed 600 ft.)
- Each valve has two wires. Either one may be used as the "HOT" wire which is connected directly to a station output terminal in the controller. The other wire is "COMMON" and may be joined to the common wires of other valves with one wire running to the common terminal of the controller. Check operation using the controller.

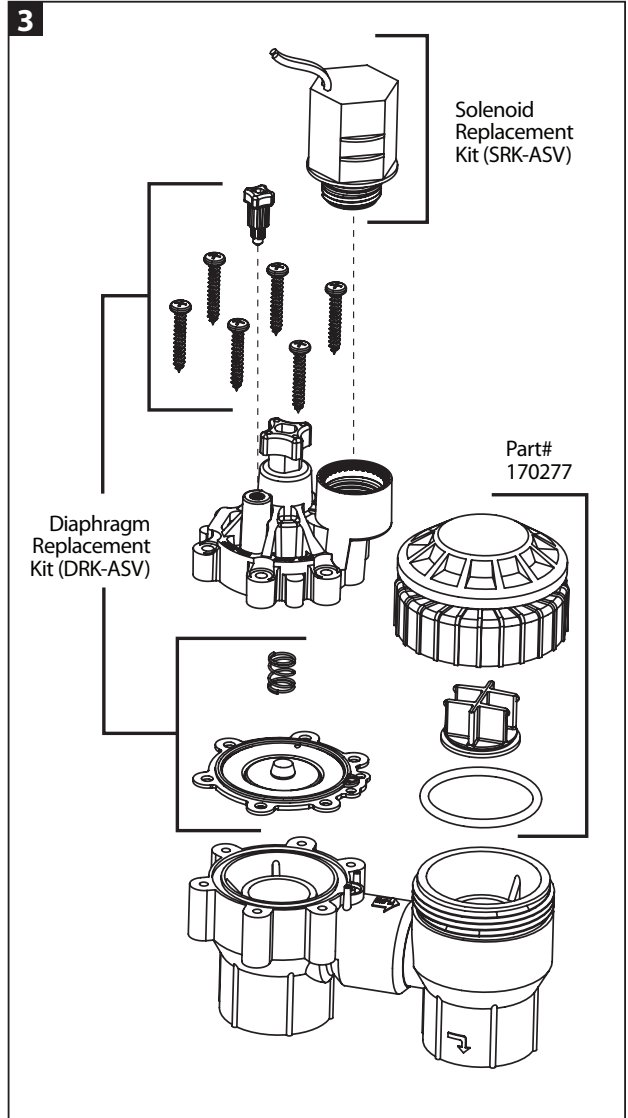


### Repair Kits

Two types of repair kits are available (Diagram 3).

1. SRK-ASV Solenoid Replacement Kit. The SRK-ASV will replace a defective solenoid on models DAS-075/ASVF and DAS-100/ASVF.
2. DRK-ASV Diaphragm Replacement Kit. The DRK-ASV will replace a defective diaphragm on models DAS-075/ASVF and DAS-100/ASVF.

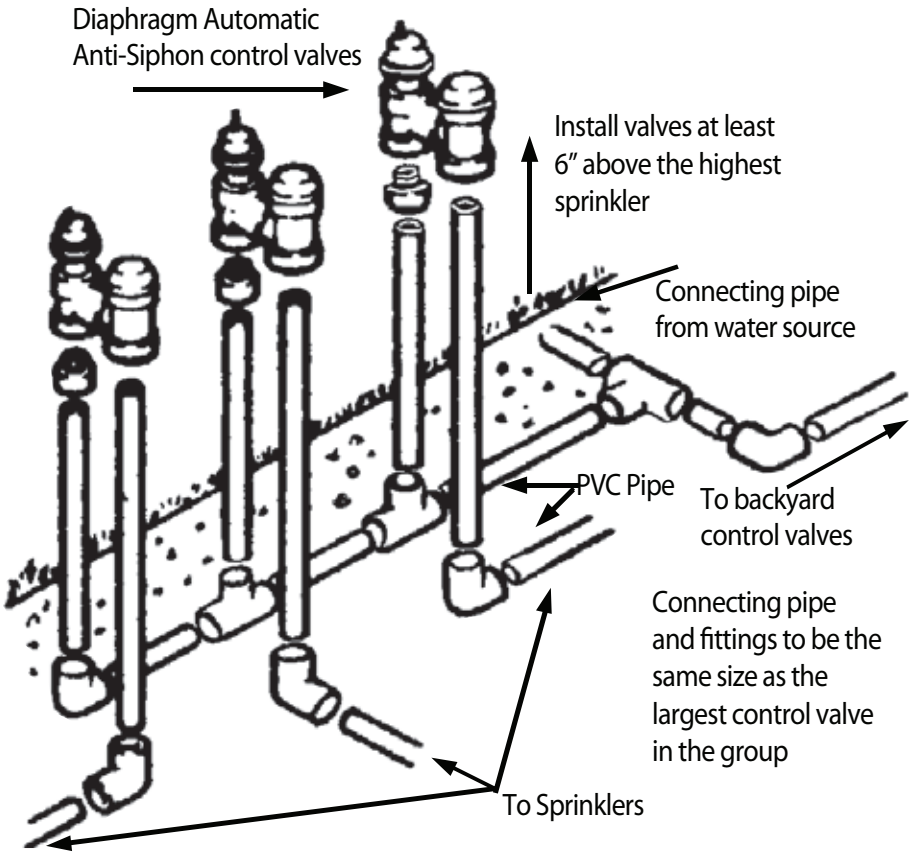
For technical assistance call us at 1-800-RAIN-BIRD.

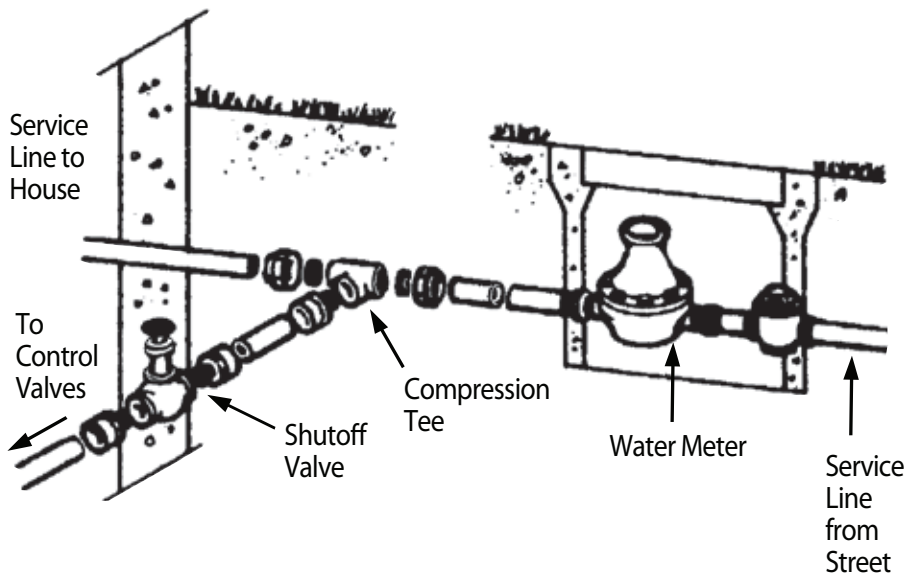


## Troubleshooting Guide

Symptom	Solution
Water Won't Shut Off (seeping or full flow)	<ol style="list-style-type: none"> <li>1. Incorrect controller setting (check length of run time)</li> <li>2. Loose solenoid (should be tight)</li> <li>3. Loose bleed screw - check and tighten (finger tight only)</li> <li>4a. Diaphragm filter clogged. Use manual, external bleed to flush valve. If this does not improve operation, remove top of valve (6 screws). Remove diaphragm and inspect filter for debris. (Check 4b at the same time.) Clean diaphragm filter and reassemble valve.</li> <li>4b. Diaphragm/valve seat fouled or damaged. Remove diaphragm and inspect diaphragm and valve seat for damage or debris. Clean or replace diaphragm and reassemble valve.</li> </ol>
Valve Won't Turn On Manually	<ol style="list-style-type: none"> <li>1. Flow control turned off. Check by turning black knob counterclockwise until encountering resistance. Do not force beyond point of resistance. Turn knob back clockwise, approximately one half turn.</li> <li>2. Water supply off at meter or system control shut-off. (Check this first by manually bleeding the valve with either bleed screw or by turning solenoid counterclockwise).</li> <li>3. Blocked ports. If valve will turn on with manual, external bleed screw but NOT by turning the solenoid for internal bleed, remove the solenoid (rod check solenoid cavity for debris. Visually check small square hole at edge of cavity and carefully run a straightened wire through the center round hole to clear tube of possible debris. Take care not to scratch sides of center port tube as any change in size can affect valve operation.</li> </ol>
Valves Won't Turn On Electronically (with controller)	<ol style="list-style-type: none"> <li>1. Controller settings incorrect. Check programming, start times, run times and day schedules.</li> <li>2. If none of the valves are working, check the common (ground) wire for a tight connection or damage. If only one or part of the valves do not work, check wiring for damage (staples, nails, cracks) between controller and valve location.</li> <li>3. Check all of reasons in Section B.</li> <li>4. Faulty solenoid. Turn off water supply. Switch solenoid with one from a nearby operational valve. If original valve works with second solenoid, replace original solenoid. (Install water-tight wire connections on all valves at this time to avoid future solenoid shorts and/or failures.)</li> <li>5. Controller not supplying power to valve(s). Check fuse. If blown, replace fuse with same size. (Do not change sizes. A different size fuse will damage controller during operation and will void the warranty.) If fuse is OK, either use a volt/ohm meter to check controller output (24 VAC) at each terminal screw (station/valve connection) OR disconnect an operating solenoid from a valve and take it to the controller. Attach one wire to the "C" terminal (common/ground) and attach the other wire to the station which is not working. Activate the controller in manual start. The solenoid should click (pull the plunger up into the solenoid tube) and it may hum.  If nothing happens, (and the controller is still under warranty) you should either return your controller to the store or call your installer. If it's no longer under warranty, you will need to purchase a new controller. Be sure to install water-tight connectors on your wiring and a surge protector (if you live in areas highly prone to lightning). This will help to avoid future problems.</li> </ol>

### Approved Valve Group Installation Using PVC Pipe and Fittings





**Rain Bird Corporation**

6991 E. Southpoint Road  
Tucson, AZ 85756 USA  
Phone: (520) 741-6100  
Fax: (520) 741-6522

**Rain Bird Corporation**

970 West Sierra Madre Avenue  
Azusa, CA 91702 USA  
Phone: (626) 812-3400  
Fax: (626) 812-3411

**Rain Bird International**

1000 W. Sierra Madre Ave  
Azusa, CA 91702 USA  
Phone: (626) 963-9311  
Fax: (626) 852-7343

**Rain Bird Technical Services**

(800) RAINBIRD (1-800-724-6247)  
(U.S. and Canada)

**Specification Hotline**

800-458-3005 (U.S. and Canada)

The Intelligent Use of Water™

[www.rainbird.com](http://www.rainbird.com)

**Rain Bird Europe SNC****Rain Bird France SNC**

900, rue Ampère, B.P. 72000  
13792 Aix en Provence Cedex 3  
France  
Tel: +33 4 42 24 44 61  
Fax: +33 4 42 24 24 72  
rbe@rainbird.eu  
www.rainbird.eu  
rbf@rainbird.eu  
www.rainbird.fr

**Rain Bird Deutschland GmbH**

Oberjesinger Str. 53  
71083 Herrenberg-Kuppigen  
Deutschland  
Tel: +49 07032 99010  
Fax: +49 07032 990111  
rbd@rainbird.eu  
www.rainbird.de

**Rain Bird Ibérica S.A.**

Polígono Ind. Pinares Llanos  
c/Carpinteros, 12, 2°C  
28670 Villaviciosa de Odón, Madrid  
España  
Tel: +34 91 632 48 10  
Fax: +34 91 632 46 45  
rbib@rainbird.eu  
www.rainbird.es  
portugal@rainbird.eu  
www.rainbird.pt

**Rain Bird Sverige AB**

Fleningevägen 315  
260 35 Ödåkra  
Sweden  
Tel: +46 42 25 04 80  
Fax: +46 42 20 40 65  
rbs@rainbird.eu  
www.rainbird.se

**Rain Bird Turkey**

İstiklal Mahallesi  
Alemdağ Caddesk No. 262  
34760 Ümraniye, İstanbul  
Türkiye  
Tel: +90 216 443 75 23  
Fax: +90 216 461 74 52  
rbt@rainbird.eu  
www.rainbird.com.tr

**Rain Bird Mexico S. de R. L de C.V**

Calzada Juan Gil  
Preciado # 2450, 15A  
Parque Ind. Ecopark  
Colonia El Tigre CP45100  
Zapopan, Jalisco, Mexico  
Tel: +52 333 364 4785  
Fax: +52 333 364 4787

**Rain Bird (Australia) Pty. Ltd**

10 Mareno Rd.  
TULLAMARINE VIC 3043  
Australia  
Tel: +61 (0)3 8336 6777  
Fax: +61 (0)3 9338 1699  
sales@rainbird.com.au  
www.rainbird.com.au

**Rain Bird Brasil Ltda**

Rua Piaui, 740 Marta Helena  
Uberlandia, MG 38402020  
Brasil  
Tel: +55 34 3212 8484  
Fax: +55 34 3213 5469

**Rain Bird Trading (Shanghai)  
Company Limited**

Rm 1008, E1  
Yuan Chen Xin Bldg 12  
Yumin Rd, Chaoyang District  
Beijing, 100029 China  
Tel: +86 10 8225 1759  
Fax: +86 10 8225 1301  
www.rainbird.com.cn

**Rain Bird Jebel Ali**

JAFZA- LOB14- Office 318  
P.O.Box: 261771- Dubai - UAE  
Tel: +971 4 8819671  
Fax: +971 4 8819672