

H



JAY R. SMITH CO.

PLUMBING & DRAINAGE PRODUCTS

959 Alness Street, North York, Ontario M3J 2J1
 TEL: (416) 736-9610 FAX: (416) 736-3789

LOCATION

DRAWING NUMBER
S0636-CAN

SIZE
A

SCALE:
NONE

DATE:
11-7-84

APPROVED BY:
JD

CHECKED BY:
JD

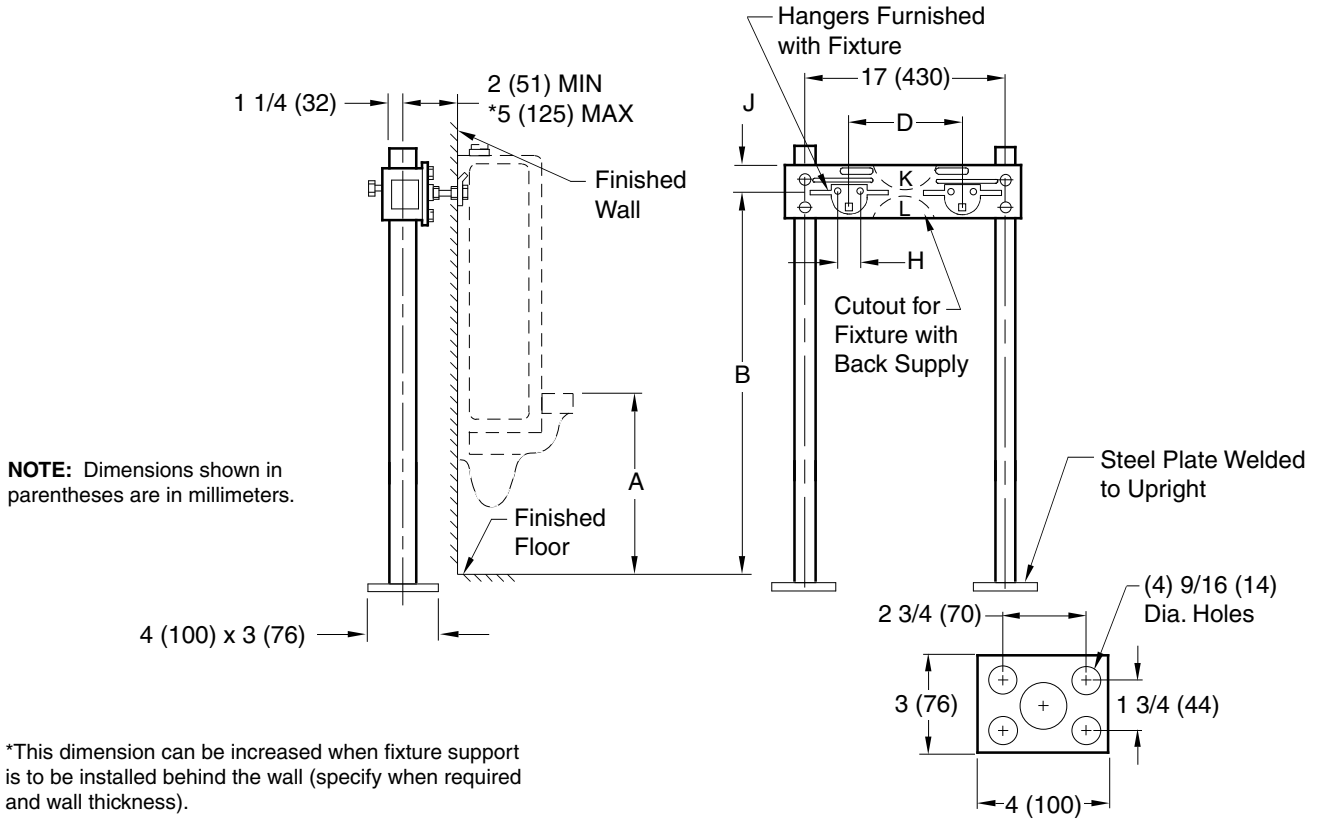
DRAWN BY:
VGD

0636-CAN

FIGURE NUMBER

URINAL SUPPORTS FOR OFF-THE-FLOOR URINALS

WITH HANGER PLATE FOR BLOWOUT AND WASHOUT URINALS WITH WALL HANGERS



ROUGH-IN TABLE

BASE DETAIL

FIXTURE MFG.	NAME	NUMBER	A	B	D	H	J	K	L
Am. Std.	Washbrook	6501.010	24 (610)	39 (990)	13 1/2 (345)	1 3/16 (30)	2 (51)	X	-
Am. Std.	Washbrook	6506.011	24 (610)	39 (990)	13 1/2 (345)	1 3/16 (30)	2 (51)	X	-
Am. Std.	Lynbrook	6538.010	24 (610)	40 (1015)	13 1/2 (345)	1 3/16 (30)	1 (25)	X	-
Am. Std.	Lynbrook	6531.019	24 (610)	40 (1015)	13 1/2 (345)	1 3/16 (30)	1 (25)	X	-
Am. Std.	Trimbrook	6560.015	24 (610)	37 5/8 (955)	11 (280)	1 3/16 (30)	1 (25)	X	-
Am. Std.	Trimbrook	6560.023	24 (610)	37 5/8 (955)	11 (280)	1 3/16 (30)	1 (25)	X	-
Am. Std.	Trimbrook	6565.014	24 (610)	37 5/8 (955)	11 (280)	1 3/16 (30)	1 (25)	X	-
Am. Std.	Trimbrook	6565.022	24 (610)	37 5/8 (955)	11 (280)	1 3/16 (30)	1 (25)	X	-
Eljer	Correcto	161-1030,45	24 (610)	39 3/8 (1000)	12 (305)	1 (25)	1 (25)	X	-
Eljer	Correcto	161-1060, 75	24 (610)	39 3/8 (1000)	12 (305)	1 (25)	1 (25)	X	-
Eljer	Terminal	161-1100, 3	25 1/2 (650)	33 7/8 (860)	9 1/2 (240)	1 (25)	1 (25)	X	-
Eljer	Dover	161-1160, 75	24 (610)	32 3/8 (822)	6 (150)	1 (25)	1 (25)	X	-
Kohler	Stanwell	K-4970-T,R	24 (610)	40 (1015)	12 (305)	1 (25)	1 (25)	X	-
Kohler	Stanwell	K-4972-T,R	24 (610)	40 (1015)	12 (305)	1 (25)	1 (25)	X	-
Kohler	Bardon	K-4980-T,R	24 (610)	40 1/2 (1030)	12 (305)	1 (25)	1 (25)	X	-
Kohler	Freshman	K-4985-T,R	24 (610)	35 7/16 (900)	10 (255)	1 (25)	2 (51)	-	-
Kohler	Derry	K-5007-T,R	24 (610)	29 1/2 (750)	6 (150)	1 (25)	3 1/2 (89)	-	X
Kohler	Dexter	K-5014-T,R	24 (610)	32 1/8 (816)	6 1/2 (165)	1 (25)	1 (25)	X	-

Δ For Lavatory Use See Opposite Side

REV.	DATE	DESCRIPTION	BY	CKD. BY	WEIGHT POUNDS	VOLUME CUBIC FEET	FIGURE NUMBER
	7-17-02 01/06/00 10/06/98 05/01/96	Revised Table Revised Base Plate Added Fix. Mfg. Revised	RN JJ CMB	MD BS BS			0636-CAN

WE CAN ASSUME NO RESPONSIBILITY FOR USE OF SUPERSEDED OR VOID DATA

DIMENSIONS ARE SUBJECT TO MANUFACTURERS TOLERANCE AND CHANGE WITHOUT NOTICE