

A.O. SMITH

WATER PRODUCTS COMPANY

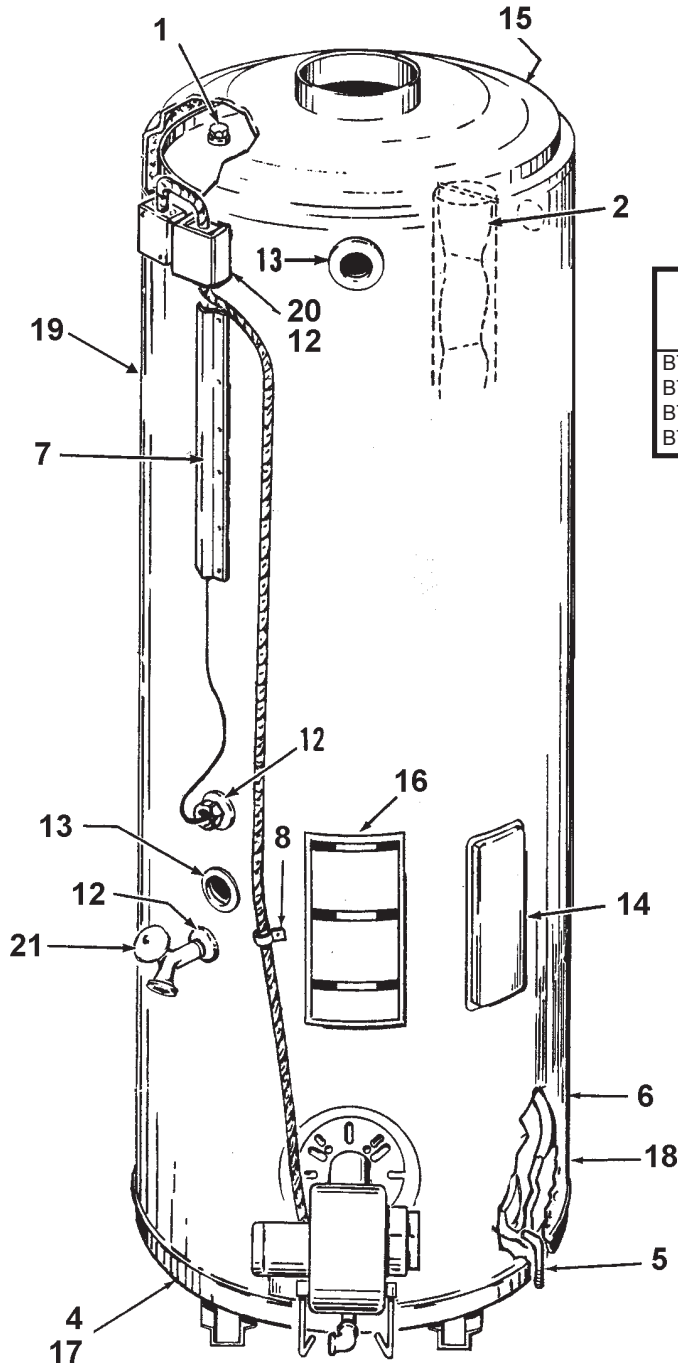
PSD-3-619

GAS

COMMERCIAL TANK TYPE WATER HEATER

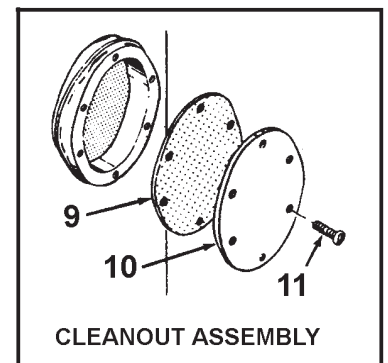
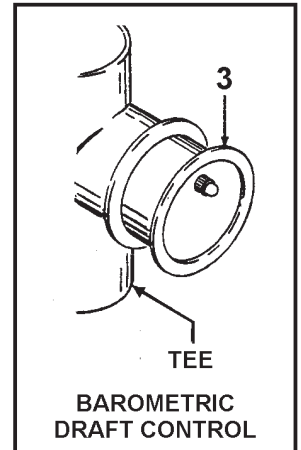
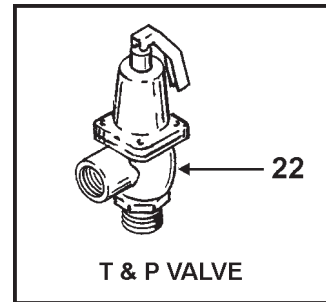
REPLACEMENT PARTS LIST

MODELS BTP-139, 199, 270 AND 370
SERIES 104 AND 105 STANDARD AND ASME (A)



MAIN BURNER ORIFICE CHART

Models	Burner Number	Natural Gas		Propane Gas	
		Wayne C.S. Part No.	(Decimal)	Wayne C.S. Part No.	(Decimal)
BTP-139/A	HSG-200	62459-001	0.24	62459-001	0.209
BTP-199/A	HSG-200	62459-001	0.38	62459-001	0.257
BTP-270/A	HSG-400	62459-002	0.368	62459-002	0.302
BTP-370/A	HSG-400	62459-002	0.532	62459-002	0.386



A.O. SMITH WATER PRODUCTS CO., INC.

5621 W. 115TH STREET • ALSIP, ILLINOIS 60803

PHONE: 1-800-433-2545 • FAX: 1-800-433-2515

Website: www.hotwater.com/parts • EMAIL: parts@hotwater.com

Item	Description	BTP-139/A	BTP-199/A	BTP-270/A	BTP-370/A
1	Anode	183523-42(2)	183523-42(2)	183523-42(2)	183523-42(2)
2	Baffle, Flue	193888(7)	193888(7)	193888(7)	193888(7)
3	Barometric Draft Control w Tee Assy.	170777	170777	170777-1	170777-1
4	Jacket Base with Skids	76242	76242	76242	76242
5	Bolt, Base	41431(4)	41431(4)	41431(4)	41431(4)
6	Chamber, Combustion	76508-1	76508-1	76508-1	76508-1
7	Channel, Wire	95312-3	95312-3	95312-3	95312-3
8	Clamp	94694	94694	94694	94694
	Cleanout Assembly:				
9	Gasket	<u>99038</u>	<u>99038</u>	<u>99038</u>	<u>99038</u>
10	Pressure Plate	<u>99037</u>	<u>99037</u>	<u>99037</u>	<u>99037</u>
11	Screw, Self Tapping (Req'd)	<u>69852-1</u>	<u>69852-1</u>	<u>69852-1</u>	<u>69852-1</u>
12	Collar, Pipe	<u>20172-21(2)</u>	<u>20172-21(2)</u>	<u>20172-21(2)</u>	<u>20172-21(2)</u>
13	Collar, Pipe	<u>95030-3(2)</u>	<u>95030-3(2)</u>	<u>95030-3(2)</u>	<u>95030-3(2)</u>
14	Cover, Cleanout Opening	181260	181260	181260	181260
15	Jacket, Top	97062-6	97062-6	97062-6	97062-6
16	*Decals:				
	ASHRAE	160659	160659	160659	160659
	ASME	68065	68065	68065	68065
	California	42985	42985	42985	42985
	Caution (Electric)	98299	98299	98299	98299
	Cleanout	97444	97444	97444	97444
	Clearance	190105	190105	190105	190105
	Gas Pressure:				
	Natural	190005	190005	190005	190005
	Propane	190005-1	190005-1	190005-1	190005-1
	Hot	41355	41355	41355	41355
	Installer	170013	170013	170013	170013
	Instruction	78662	78662	78662	78662
	Lighting and Operation Label	190191	190191	190191	190191
	Lime Tamer	78640	78640	78640	78640
	N. Carolina	43117	43117	43117	43117
	Plate-Press, Data	77995	77995	77995	77995
	Relief Valve	191068	191068	191068	191068
	Warning	41142	41142	41142	41142
	Water Inlet	94518	94518	94518	94518
	Water Outlet	94519	94519	94519	94519
	Wiring	194129	194129	194129	194129
	800-HELP Line	190600	190600	190600	190600
17	Gasket, Skirt Ring	76443	76443	76443	76443
18	Jacket	193440	193440	193440	193440
19	Jacket, ASME	193440	193440	193440	193440
20	Thermostat with ECO	192828	192828	192828	192828
21	Valve, Drain	26273-4	26273-4	26273-4	26273-4
22	Valve, T & P	192467	192467	192467	192467
23	*Wire:				
	AWG Stranded, 105°C, AWM & TEW				
	Black	86578	86578	86578	86578
	Red	86579	86579	86579	86579
	White	86580	86580	86580	86580
	Yellow	98199	98199	98199	98199
	18 AWG Stranded, 105°C, AWM & TEW				
	Red	41976	41976	41976	41976

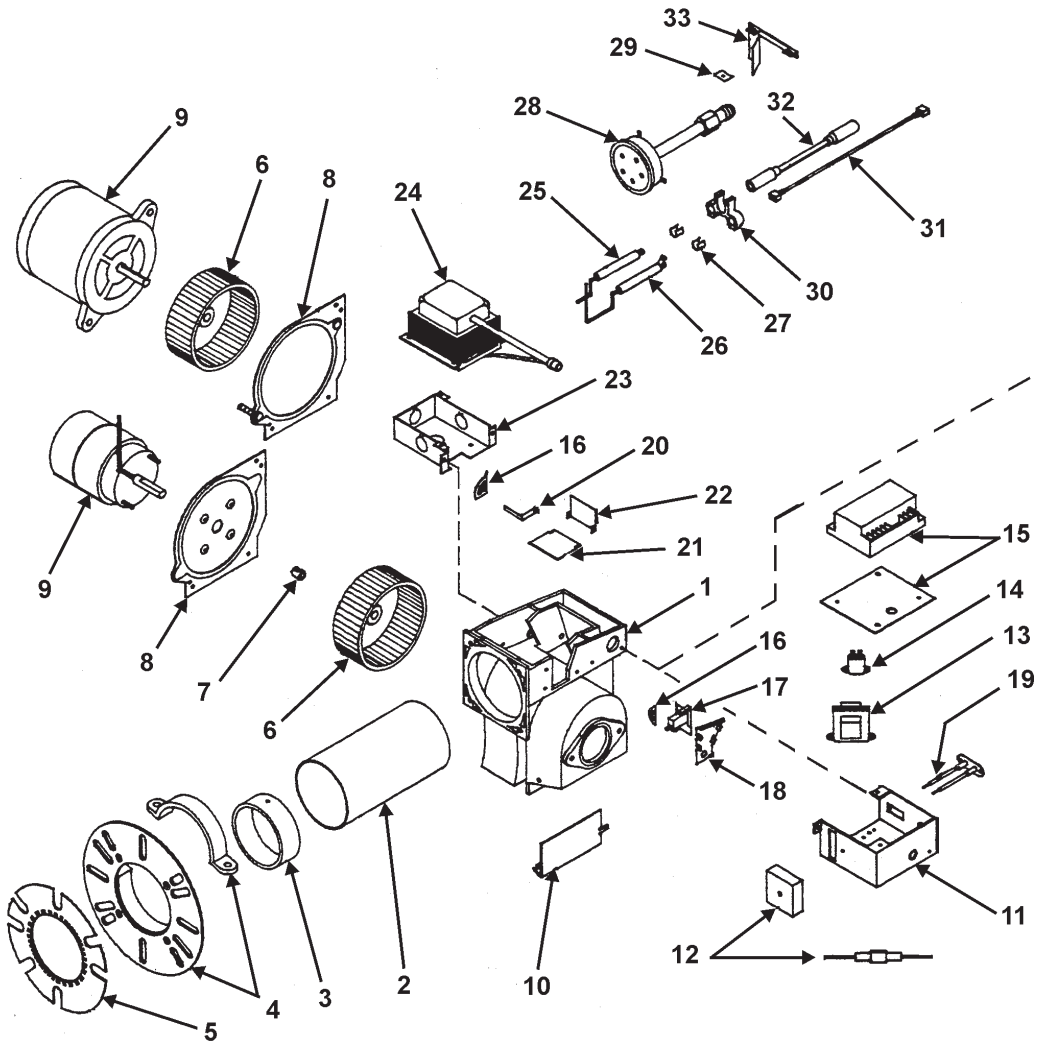
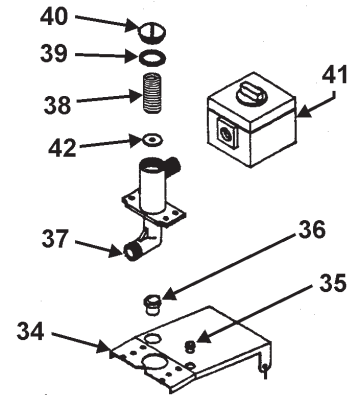
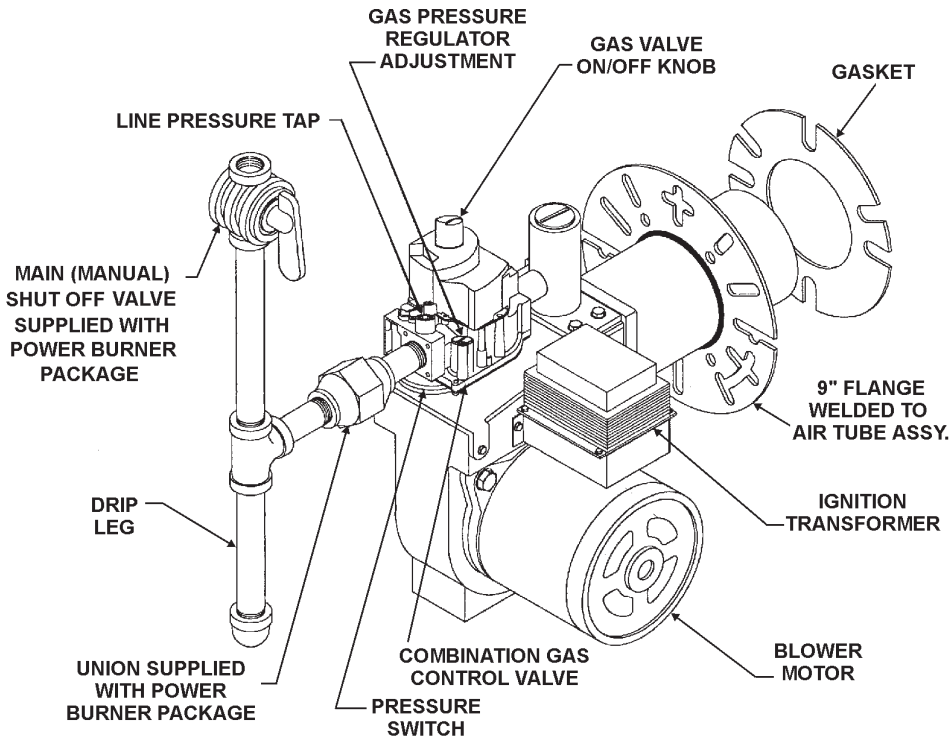
*Items not illustrated. () Reflects quantities.

Part numbers underlined are recommended stock items for emergency replacement. (Consider gas used in your area only). Requests from PSD by giving all information such as model and series number, type of gas and specifications.

MODEL HSG 200/400 GAS BURNER



REPLACEMENT PARTS



Item	Description	Part Number
1	Burner Housing	6206
2	Air Tube-HSG200 6"	6206-1
	Air Tube-HSG400 6 1/4"	6206-2
	Air Tube-HSG200/400 9"	6206-3
	Air Tube-HSG200/400 12"	6206-4
3	Air Cone-(HSG200 only)	6206-5
4	Adjustable Flange Assembly	6206-6
5	Flange Gasket	6206-7
6	Blower Wheel HSG200 5 1/4"OD	6206-8
	Blower Wheel HSG400 5 1/2" OD	6206-9
7	Blower Wheel Bushing (Used with 62355-001 Motor Oil)	6206-10
8	Side Plate (Used with 62355-001 Motor Oil)	6206-11
	Side Plate (Used with 20627 Motor Oil)	6206-12
9	Motor Shaded Pole 1/12 HP 3200 RPM 115V60	6206-13
	Motor Split Phase 1/7 or 1/8 HP 3450 RPM 115V60	6206-14
10	Combustion Air Inlet Damper	6206-15
11	Control Box	6206-16
12	30 Sec. Prepurge Timer:	Used with Primary
	Safety Control P/N's 6206-22 & 6206-21 (Special Limit Applications Only)	6206-17
13	24 Volt Transformer	6206-18
14	Motor Relay	6206-19
15	Primary Safety Control H'Well S89-F1007 w/30 Sec Prepurge	6206-20
	Primary Safety Control Fenwall 05-319000-251 w/30 Sec Prepurge	6206-21
	NOTE: Not to be used with Honeywell VR845M-5006 gas valve.	
	Primary Safety Control H'Well S89E-1033 w/o 30 Sec. Purge	6206-22
	(Special Limit Applications Only)	
	Primary Safety Control Fenwall 05-319-000-051 w/o 30 Sec Purge	6206-23
	(Special Limit Applications Only)	
	NOTE: Not to be used with Honeywell VR845M-5006 gas valve.	
	Primary Safety Control Mounting Plate Fenwall Primary Only	6206-24
16	Damper Indicator Pointer	6206-25
17	Air Proving Switch, Only	6206-26
18	Air Proving Switch/Mounting Plate Slot Cover Assembly	6206-27
19	Thermostat Terminal Strip	6206-28
20	Adjustment Arm Off-Cycle Damper	6206-29
21	Off-Cycle Damper Plate	6206-30
22	Mounting Bracket Off-Cycle Damper	6206-31
23	Junction Box	6206-32
24	Ignition Transformer 7500V	6206-33
25	Electrode Assembly	6165
26	Sensor Probe Assembly	6166
27	Insulator Bushing	6206-34
28	Chamber/Manifold-HSG200 6"	6206-35
	Chamber/Manifold-HSG400 6 1/4"	6206-36
	Chamber/Manifold-HSG200 9"	6206-37
	Chamber/Manifold-HSG400 9"	6206-38
	Chamber/Manifold-HSG200 12"	6206-39
	Chamber/Manifold-HSG400 12"	6206-40
29	Clip, Electrode Bracket	6206-41
30	Electrode Bracket Support (Includes Items 27, 29 and Set Screws)	6206-42
31	11" Sensor Wire-6", 6 1/4" Burner	6206-43
	14" Sensor Wire-9" Burner	6206-44
	17" Sensor Wire-12" Burner	6206-45
32	8" Ignition Wire-6", 6 1/4" Burner	6206-46
	11" Ignition Wire-9" Burner	6206-47
	14" Ignition Wire-12" Burner	6206-48
33	Baffle Plate (Not used on HSG 6" and 6 1/4"	6206-49
34	Top Plate/Housing Cover	6206-50
35	Strain Relief Bushing/Sensor Wire	6206-51
36	Strain Relief Bushing/Sensor Wire	6206-52
37	Orifice Housing	6206-53
38	Orifice Spring	6206-54
39	Orifice Gasket	6206-55
40	Orifice Cap	6206-56
41	Gas Valve Honeywell VR8450M-HSG200	6206-58
	Gas Valve Honeywell VR845M-5006, HSG400	6356
	NOTE: Not to be used with Fenwall primary safety controls 05319000-051 & 05-319000-251	
42	Orifice Package-HSG200	6206-60
	Orifice Package-HSG400	6206-61
43	Optional Pedestal Mounting (Not shown)	6206-62