

# 2-1/2" Dial Thermometer -with 3/4" SWT Connection -with 1/2" MPT Connection

Job Name	_____
Location	_____
Engineer	_____
Contractor	_____
Tag	_____ PO# _____

**Specifications**

- Steel case construction
- 2-1/2" glass face
- 5° increments
- Dual scale
- 30°-250°F (0°-120°C)
- Center back mount
- Thermometer can be removed from adapter for easy installation
- Grade Class B

**Application**

Hot water

**Materials**

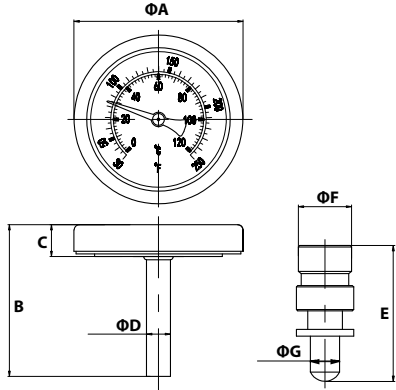
Steel

**Dimensions and Product Offering**

PART NO.	ΦA	B	C	ΦD	E	ΦF	G	H
J40702	2.50"	2.24"	0.47"	0.35"	2.01"	0.79"	Φ0.47"	N/A
J40703	2.50"	2.24"	0.47"	0.35"	0.87"	0.47"	1/2 MNPT	2.01"



**J40702  
with 3/4" SWT Connection**



**J40703  
with 1/2" MPT Connection**

