

Electro Industries
Replacement Parts Book

Electric Heating
Equipment



Electro
*Providing Comfort Through
Efficient Energy Solutions*

1. Electro-Boiler™

1.1.	Mini-Boiler – EMB-* Series	3
1.2.	WarmFlo Mini-Boiler – EMB-W-9	4
1.3.	TS Midsize Electro-Boiler – EB-M*-* Series	5
1.4.	TS Standard Electro-Boiler – EB-S-* and EB-W*-* Series	7
1.5.	TS Standard 3-Phase Electro-Boiler – EB-WO-*-*2 Series	8
1.6.	TS Commercial Electro-Boiler – EB-C-* and EB-C-*-* Series	10
1.7.	WarmFlo Electro-Boiler – EB-W-* Series	12
1.8.	Electro-Boiler – EB-L* and EB-* Series	13
1.9.	Electro-Boiler – EB-R-* Series	14
1.10.	Electro-Boiler – EB-E-* Series	15
1.11.	Electro Blue Boiler – EBE-*	16

2. Electro-Mate® Plenum Heater

2.1.	Electro EZ-Mate – EM-LV**4** Series	17
2.2.	Electro EZ-Mate – EM-LD**4** Series	18
2.3.	HeatChoice II – EH-U**-* (EM-EU***C*) Series	19
2.4.	HeatChoice II – EH-D**-* (EM-ED***C*) Series	20
2.5.	HeatChoice – EH-U**-* (EM-EU***C*) Series	21
2.6.	HeatChoice – EH-D**-* (EM-ED***C*) Series	22
2.7.	Electro-Mate - EM-EU***** Series	23
2.8.	Electro-Mate - EM-LV***** and EM-LU***** Series	24
2.9.	Electro-Mate - EM-LD***** Series	25
2.10.	Electro-Mate Coleman – EM-LD****M Series	26
2.11.	Electro-Mate WarmFlo II – EM-WU***** Series	27
2.12.	Electro-Mate WarmFlo II – EM-WD***** Series	29
2.13.	Electro-Mate WarmFlo II – EM-WU***H* Series	31
2.14.	Electro-Mate WarmFlo II – EM-WD***H* Series	32
2.15.	Electro-Mate WarmFlo – EM-WV***** Series	33

3. Duct Heater

3.1.	Basic Element Duct Heater – EM-DI***** Series	34
3.2.	WarmFlo Controlled Duct Heater – EM-WE***** Series	35
3.3.	Custom Duct Heater – EM-II05154 and EM-II10114	36
3.4.	Custom Duct Heater – EM-II05158 and EM-II10118	37
3.5.	Custom Duct Heater – EM-II0515R and EM-II1011R	38

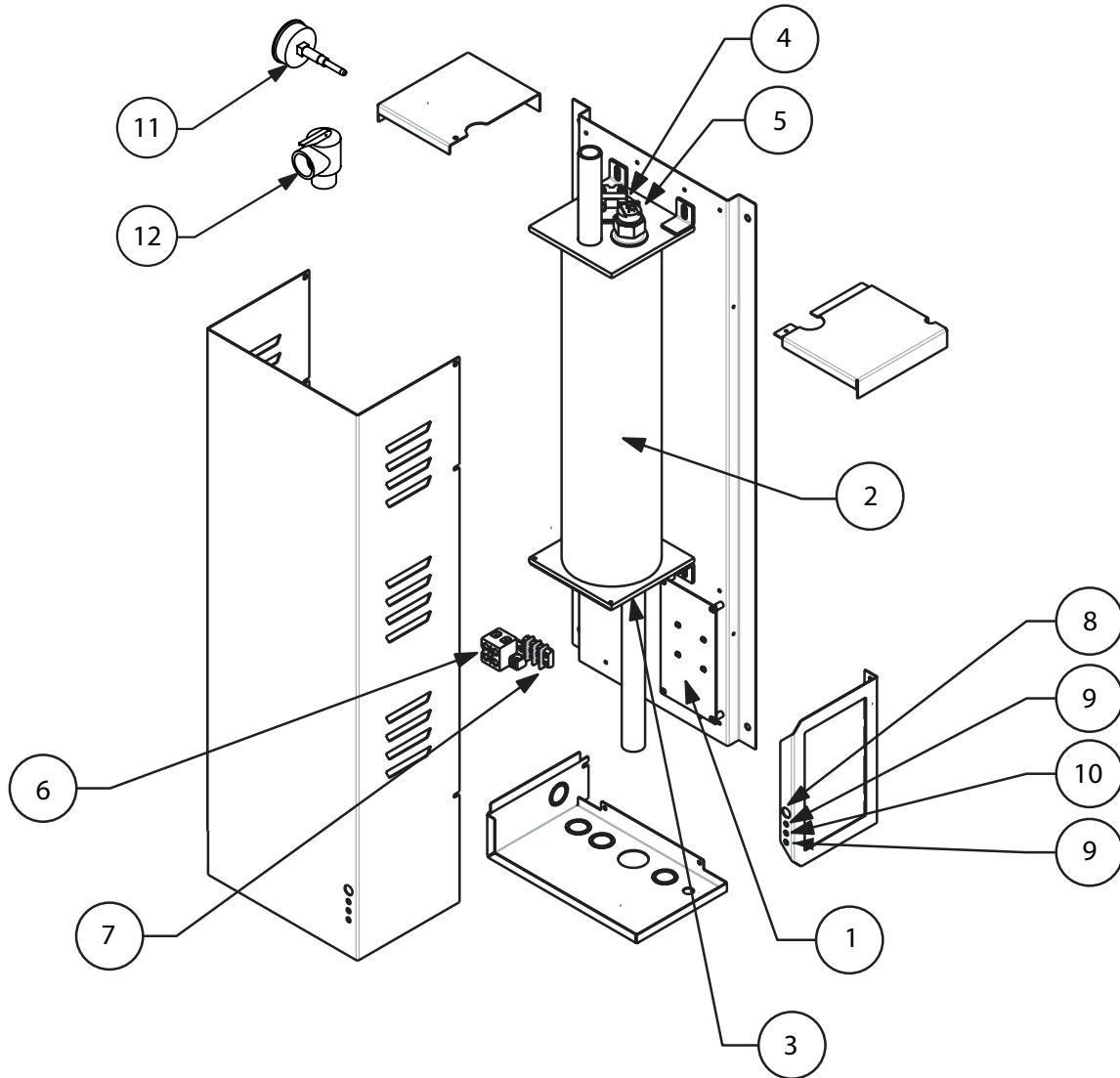
4. WarmFlo® Make-Up Air Heater

4.1.	EM-WX0111R	39
4.2.	EM-WX***** Series	40
4.3.	EM-WC***** Series	41
4.4.	EM-WM***** Series	42
4.5.	EM-WH***** Series	43

5. WarmFlo® Air Handler/Electric Furnace

5.1.	HE-*-*21	44
------	--------------------------	----

Mini-Boiler™ EMB-* Series



ART-181 1.0

Replacement Part #	Description	
--------------------	-------------	--

EMB-2

1	EMB15620	Control Board
2	EMBVS2	2.5 kW Vessel Assembly
3	EB5523	2.5 kW Element with Gasket

EMB-4

1	EMB15620	Control Board
2	EMBVS4	4 kW Vessel Assembly
3	EB5520	4.5 kW Element with Gasket

EMB-5

1	EMB5620	Control Board
2	EMBVS1AND5	1 and 5 kW Vessel Assembly
3	EB5520	4.5 kW Element with Gasket

EMB-9

1	EMB5620	Control Board
2	EMBVS9	9 kW Vessel Assembly
3	EB5520	4.5 kW Element with Gasket

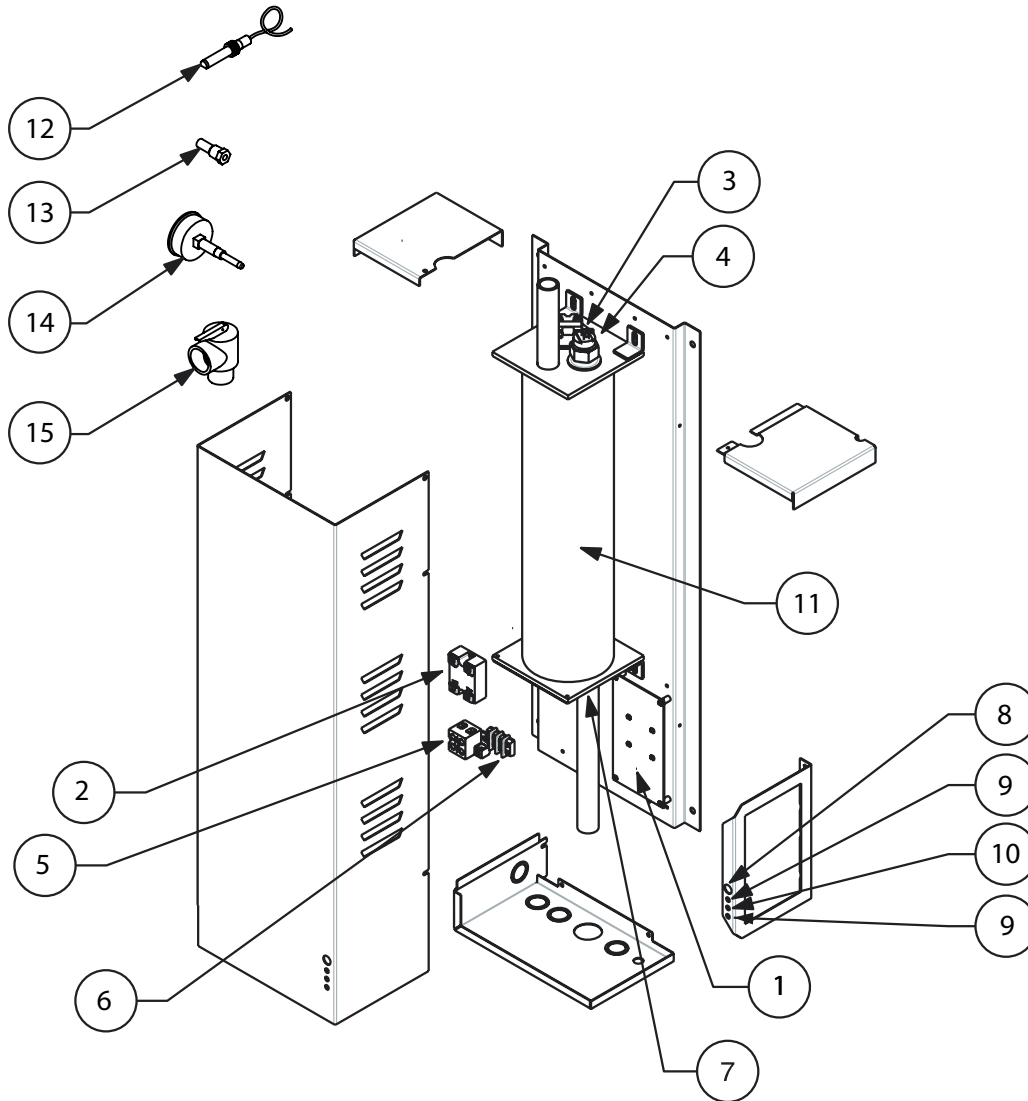
Replacement Part #	Description	
--------------------	-------------	--

Common Parts for the EMB-* Series

4	5535	205° Manual Reset Limit
5	5538	160° Auto Reset Limit
6	6636	Terminal Block
7	2232	Pump Terminal Block
8	ULAMP2283	Red Indicator Light
9	ULAMP2287	Red Panel Mount LED
10	ULAMP2286	Amber Panel Mount LED
11	5456A	Pressure / Temperature Gauge
12	5453	30 psi Relief Valve
13	XBSH7125	¼" x ¼" Pipe Bushing (Not Shown)
14	XEL7800	¼" Pipe Elbow (Not Shown)
15	XNPL7300	¼" x 2½" Pipe Nipple (Not Shown)
16	XTEE7000	¼" Pipe Tee (Not Shown)
17	UFUSE0440	2-Amp Fast Blow Fuse (Not Shown)

WarmFlo® Mini-Boiler™

EMB-W-9



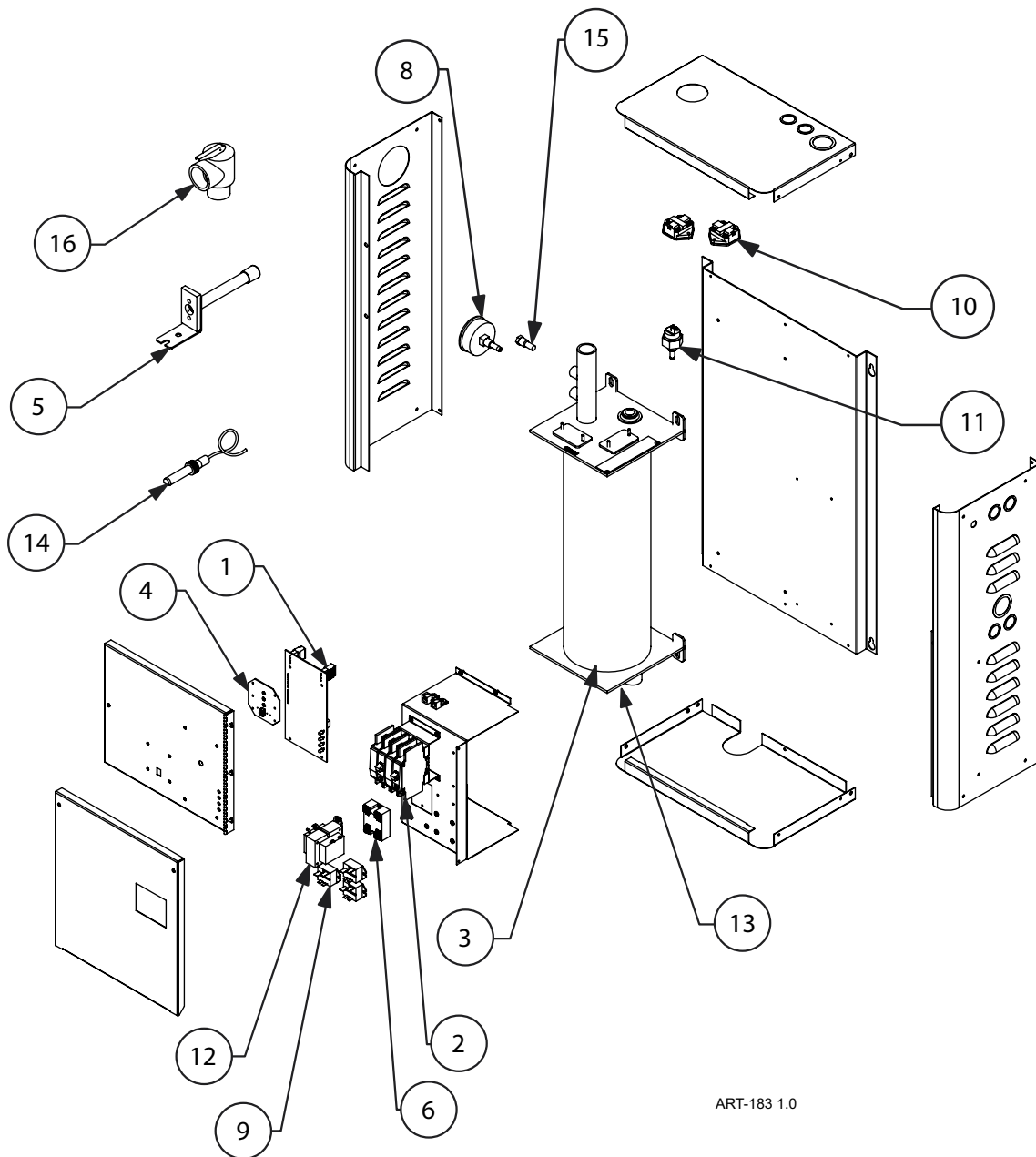
ART-182 1.0

Replacement Part #	Description	
1	EMB5621	Control Board
1a	UIC9769 R-065	Microchip v. 13.2* (Specify Code – A)
1b	UIC9267 R-101	Microchip v. 3.1* (Specify Code – A,)
1	WFCD25614	Control Board (For units manufactured before April 2002)
2	4037KIT	50-Amp AC Triac Kit
3	5535	205° Manual Reset Limit
4	5538	160° Auto Reset Limit
5	6636	Terminal Block
6	2232	Pump Terminal Block
7	EB5520	4.5 kW Element with Gasket
8	ULAMP2283	Red Indicator Light
9	ULAMP2287	Red Panel Mount LED
10	ULAMP2286	Amber Panel Mount LED

Replacement Part #	Description	
11	EMBVS9	9 kW Vessel Assembly
12	WFSB	Supply Sensor ("E" Sensor)
12	@WFSST10FT	Supply Sensor ("D" Sensor) – Chip date before July 2004
13	5533	Sensor Well
14	5456A	Pressure / Temperature Gauge
15	5453	30 psi Relief Valve
16	XBSH7125	¾" x ¼" Pipe Bushing (Not Shown)
17	XEL7800	¾" Pipe Elbow (Not Shown)
18	XNPL7300	¾" x 2½" Pipe Nipple (Not Shown)
19	XTEE7000	¾" Pipe Tee (Not Shown)
20	XTEE7060	¾" Pipe Cross (Not Shown)
21	UFUSE0440	2-Amp Fast Blow Fuse (Not Shown)

TS Midsize Electro-Boiler™

EB-M*-** Series



ART-183 1.0

(SEE NEXT PAGE FOR PARTS LIST)

TS Midsize Electro-Boiler™

EB-M*-* Series

Replacement Part #		Description
EB-MS-10		
1	EB5623S	Control Board
1a	UIC9266 R-105	Microchip v. 5.3* (Specify Code – EBS)
2	5652	Square D 60-Amp Circuit Breaker
3	EBMVS10	10 kW Vessel Assembly
7	EBCBW5427	Wiring Harness (<i>Not Shown</i>)

EB-MS-15		
1	EB5623S	Control Board
1a	UIC9266 R-105	Microchip v. 5.3* (Specify Code - EBS)
2	5650	Square D 30-Amp Circuit Breaker
2	5652	Square D 60-Amp Circuit Breaker
3	EBMVS15	15 kW Vessel Assembly
7	EBCBW5426	Wiring Harness (<i>Not Shown</i>)

EB-MS-20		
1	EB5623S	Control Board
1a	UIC9266 R-086	Microchip v. 6.2* (Specify Code – EBS)
2	5652	Square D 60-Amp Circuit Breaker
3	EBMVS20	20 kW Vessel Assembly
7	EBCBW5425	Wiring Harness (<i>Not Shown</i>)

EB-MA-10		
1	EB5623WA	Control Board
1a	UIC9266 R-086	Microchip v. 6.2* (Specify Code - WA)
2	5652	Square D 60-Amp Circuit Breaker
3	EBMVS10	10 kW Vessel Assembly
4	@EBTSW5627	Standby Switch Board
6	4038KIT	50-Amp DC Triac Kit
7	EBCBW5430	Wiring Harness (<i>Not Shown</i>)

EB-MA-15		
1	EB5623WA	Control Board
1a	UIC9266 R-086	Microchip v. 6.2* (Specify Code - WA)
2	5650	Square D 30-Amp Circuit Breaker
2	5652	Square D 60-Amp Circuit Breaker
3	EBMVS15	15 kW Vessel Assembly
4	@EBTSW5627	Standby Switch Board
6	4038KIT	50-Amp DC Triac Kit
7	EBCBW5429	Wiring Harness (<i>Not Shown</i>)

EB-MA-20		
1	EB5623WA	Control Board
1a	UIC9266 R-086	Microchip v. 6.2* (Specify Code – WA)
2	5652	Square D 60-Amp Circuit Breaker
3	EBMVS20	20 kW Vessel Assembly
4	@EBTSW5627	Standby Switch Board
6	4038KIT	50-Amp DC Triac Kit
7	EBCBW5428	Wiring Harness (<i>Not Shown</i>)

Replacement Part #		Description
EB-MO-10		
1	EB5623WO	Control Board
1a	UIC9266 R-086	Microchip v. 6.2* (Specify Code - WO)
2	5652	Square D 60-Amp Circuit Breaker
3	EBMVS10	10 kW Vessel Assembly
4	@EBTSW5627	Standby Switch Board
5	WFS25F	Outdoor Sensor
6	4038KIT	50-Amp DC Triac Kit
7	EBCBW5430	Wiring Harness (<i>Not Shown</i>)

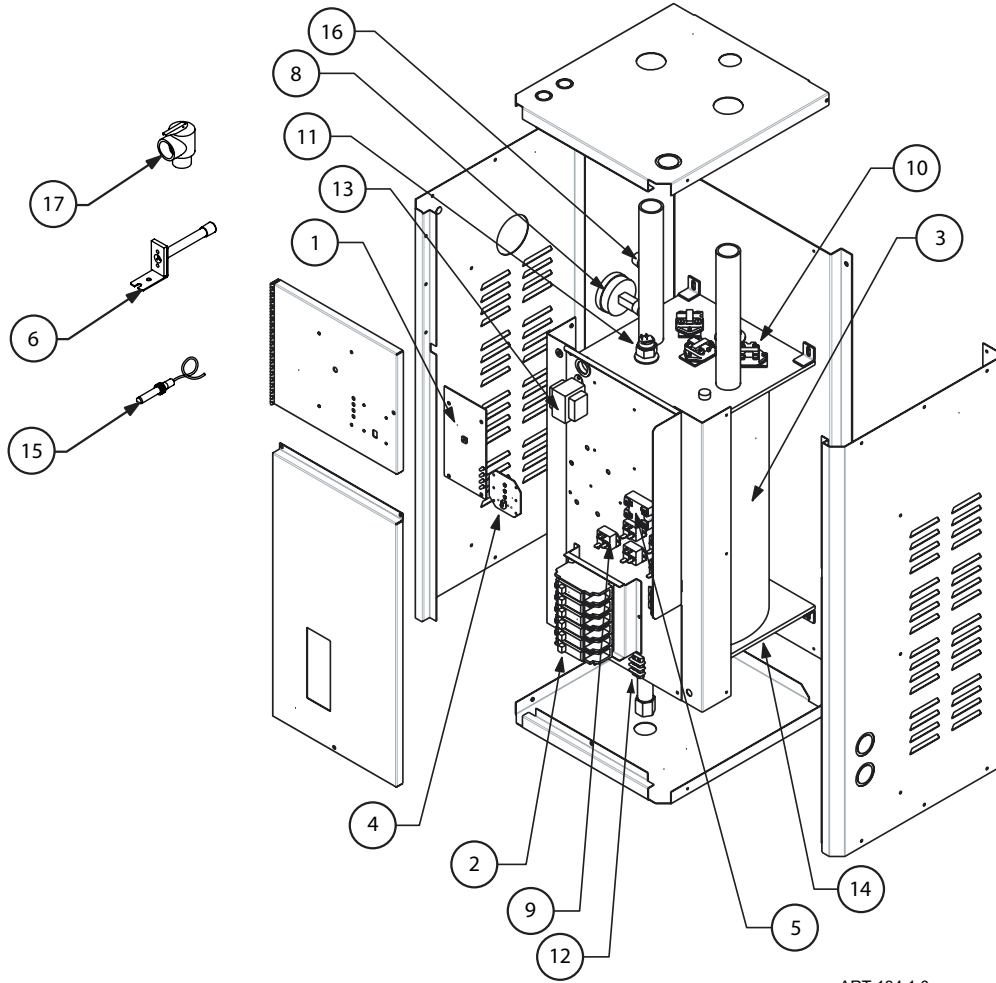
EB-MO-15		
1	EB5623WO	Control Board
1a	UIC9266 R-086	Microchip v. 6.2* (Specify Code – WO)
2	5650	Square D 30-Amp Circuit Breaker
2	5652	Square D 60-Amp Circuit Breaker
3	EBMVS15	15 kW Vessel Assembly
4	@EBTSW5627	Standby Switch Board
5	WFS25F	Outdoor Sensor
6	4038KIT	50-Amp DC Triac Kit
7	EBCBW5429	Wiring Harness (<i>Not Shown</i>)

EB-MO-20		
1	EB5623WO	Control Board
1a	UIC9266 R-086	Microchip v. 6.2* (Specify Code - WO)
2	5652	Square D 60-Amp Circuit Breaker
3	EBMVS20	20 kW Vessel Assembly
4	@EBTSW5627	Standby Switch Board
5	WFS25F	Outdoor Sensor
6	4038KIT	50-Amp DC Triac Kit
7	EBCBW5428	Wiring Harness (<i>Not Shown</i>)

Common Parts for the EB-M*-* Series		
8	5456A	Pressure / Temperature Gauge
9	5127	25-Amp DC Relay
10	5535	205° Manual Reset Limit
11	5537	190° Auto Reset Limit
12	5541	40 VA Transformer with Pigtails
13	EB5526	5 kW Element with Gasket
14	WFSB	Supply Sensor
15	5533	Sensor Well
16	5453	30 psi Relief Valve
17	XNPL7780	1" x 2½" Pipe Nipple (<i>Not Shown</i>)
18	XBSH7180	1" x ¾" Pipe Bushing (<i>Not Shown</i>)
19	XTEE7060	1" Pipe Tee (<i>Not Shown</i>)
20	XEL7850	1" 90° Pipe Elbow (<i>Not Shown</i>)
21	UFUSE0440	2-Amp Fast Blow Fuse (<i>Not Shown</i>)

TS Standard Electro-Boiler™

EB-S-** and EB-W*-** Series



ART-184 1.0

Replacement Part #	Description	
EB-S-13		
1	EB5623S	Control Board
1a	UIC9266 R-105	Microchip v. 5.3* (Specify Code – EBS)
2	5639	GE 30-Amp Circuit Breaker
2	5640	GE 60-Amp Circuit Breaker
2	5650	Square D 30-Amp Circuit Breaker
2	5652	Square D 60-Amp Circuit Breaker
3	EBVS13	13 kW Vessel Assembly
7	EBCBW5420	Wiring Harness (<i>Not Shown</i>)

EB-S-18		
1	EB5623S	Control Board
1a	UIC9266 R-105	Microchip v. 5.3* (Specify Code - EBS)
2	5640	GE 60-Amp Circuit Breaker
2	5652	Square D 60-Amp Circuit Breaker
3	EBVS18	18 kW Vessel Assembly
7	EBCBW5419	Wiring Harness (<i>Not Shown</i>)

Replacement Part #	Description	
EB-S-23		
1	EB5623S	Control Board
1a	UIC9266 R-105	Microchip v. 5.3* (Specify Code – EBS)
2	5639	GE 30-Amp Circuit Breaker
2	5640	GE 60-Amp Circuit Breaker
2	5650	Square D 30-Amp Circuit Breaker
2	5652	Square D 60-Amp Circuit Breaker
3	EBVS23	23 kW Vessel Assembly
7	EBCBW5418	Wiring Harness (<i>Not Shown</i>)

EB-S-27		
1	EB5623S	Control Board
1a	UIC9266 R-105	Microchip v. 5.3* (Specify Code - EBS)
2	5640	GE 60-Amp Circuit Breaker
2	5652	Square D 60-Amp Circuit Breaker
3	EBVS27	27 kW Vessel Assembly
7	EBCBW5417	Wiring Harness (<i>Not Shown</i>)

(PARTS LIST CONTINUED ON NEXT PAGE)

TS Standard Electro-Boiler™

EB-S-**-** and EB-W*-**-** Series

Replacement Part #		Description
EB-WA-13		
1	EB5623WA	Control Board
1a	UIC9266 R-086	Microchip v. 6.2* (Specify Code – WA)
2	5639	GE 30-Amp Circuit Breaker
2	5640	GE 60-Amp Circuit Breaker
2	5650	Square D 30-Amp Circuit Breaker
2	5652	Square D 60-Amp Circuit Breaker
3	EBVS13	13 kW Vessel Assembly
4	@EBTSW5627	Standby Switch Board
5	4038KIT	50-Amp DC Triac Kit
7	EBCBW5424	Wiring Harness (<i>Not Shown</i>)

Replacement Part #		Description
EB-WA-18		
1	EB5623WA	Control Board
1a	UIC9266 R-086	Microchip v. 6.2* (Specify Code - WA)
2	5640	GE 60-Amp Circuit Breaker
2	5652	Square D 60-Amp Circuit Breaker
3	EBVS18	18 kW Vessel Assembly
4	@EBTSW5627	Standby Switch Board
5	4038KIT	50-Amp DC Triac Kit
7	EBCBW5423	Wiring Harness (<i>Not Shown</i>)

Replacement Part #		Description
EB-WA-23		
1	EB5623WA	Control Board
1a	UIC9266 R-086	Microchip v. 6.2* (Specify Code – WA)
2	5639	GE 30-Amp Circuit Breaker
2	5640	GE 60-Amp Circuit Breaker
2	5650	Square D 30-Amp Circuit Breaker
2	5652	Square D 60-Amp Circuit Breaker
3	EBVS23	23 kW Vessel Assembly
4	@EBTSW5627	Standby Switch Board
5	4038KIT	50-Amp DC Triac Kit
7	EBCBW5422	Wiring Harness (<i>Not Shown</i>)

Replacement Part #		Description
EB-WA-27		
1	EB5623WA	Control Board
1a	UIC9266 R-086	Microchip v. 6.2* (Specify Code - WA)
2	5640	GE 60-Amp Circuit Breaker
2	5652	Square D 60-Amp Circuit Breaker
3	EBVS27	27 kW Vessel Assembly
4	@EBTSW5627	Standby Switch Board
5	4038KIT	50-Amp DC Triac Kit
7	EBCBW5421	Wiring Harness (<i>Not Shown</i>)

Replacement Part #		Description
EB-WO-13		
1	EB5623WO	Control Board
1a	UIC9266 R-086	Microchip v. 6.2* (Specify Code – WO)
2	5639	GE 30-Amp Circuit Breaker
2	5640	GE 60-Amp Circuit Breaker
2	5650	Square D 30-Amp Circuit Breaker
2	5652	Square D 60-Amp Circuit Breaker
3	EBVS13	13 kW Vessel Assembly
4	@EBTSW5627	Standby Switch Board
5	4038KIT	50-Amp DC Triac Kit
6	WFS25F	Outdoor Sensor
7	EBCBW5424	Wiring Harness (<i>Not Shown</i>)

Replacement Part #		Description
EB-WO-18		
1	EB5623WO	Control Board
1a	UIC9266 R-086	Microchip v. 6.2* (Specify Code - WO)
2	5640	GE 60-Amp Circuit Breaker
2	5652	Square D 60-Amp Circuit Breaker
3	EBVS18	18 kW Vessel Assembly
4	@EBTSW5627	Standby Switch Board
5	4038KIT	50-Amp DC Triac Kit
6	WFS25F	Outdoor Sensor
7	EBCBW5423	Wiring Harness (<i>Not Shown</i>)

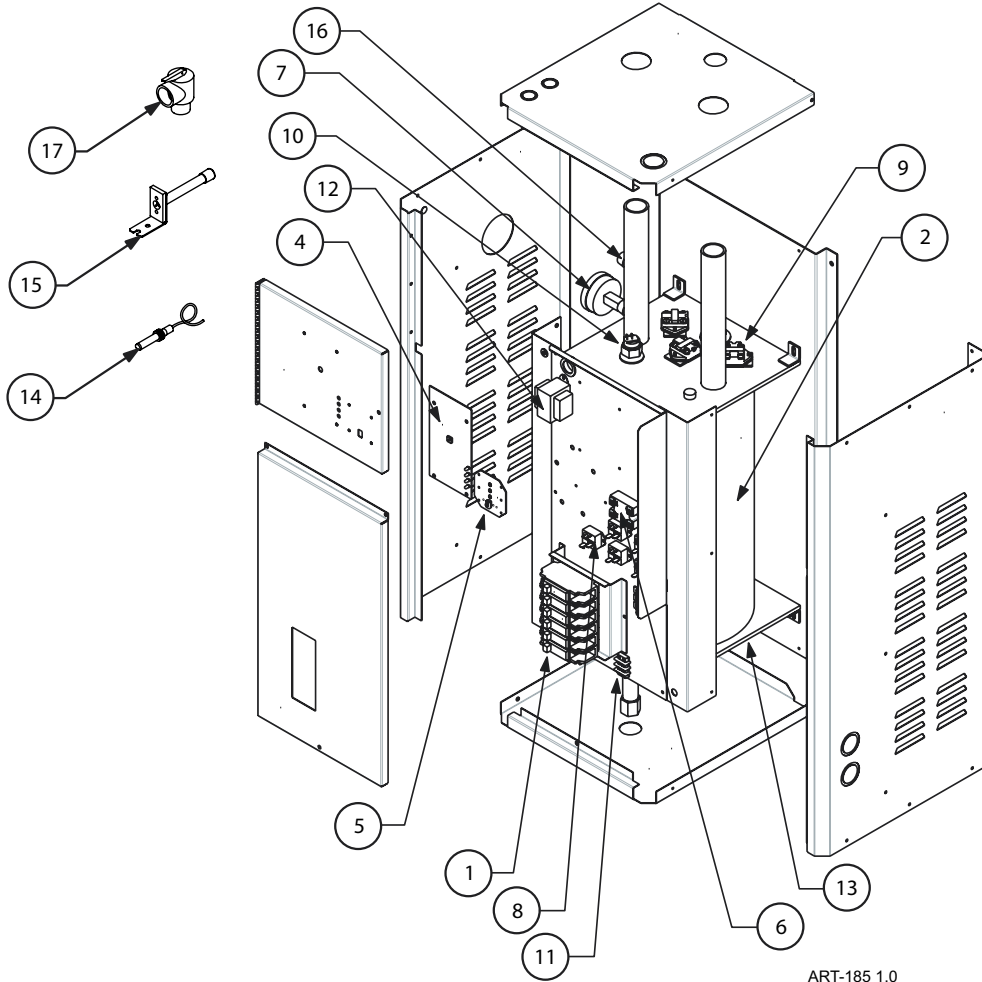
Replacement Part #		Description
EB-WO-23		
1	EB5623WO	Control Board
1a	UIC9266 R-086	Microchip v. 6.2* (Specify Code – WO)
2	5639	GE 30-Amp Circuit Breaker
2	5640	GE 60-Amp Circuit Breaker
2	5650	Square D 30-Amp Circuit Breaker
2	5652	Square D 60-Amp Circuit Breaker
3	EBVS23	23 kW Vessel Assembly
4	@EBTSW5627	Standby Switch Board
5	4038KIT	50-Amp DC Triac Kit
6	WFS25F	Outdoor Sensor
7	EBCBW5422	Wiring Harness (<i>Not Shown</i>)

Replacement Part #		Description
EB-WO-27		
1	EB5623WO	Control Board
1a	UIC9266 R-086	Microchip v. 6.2* (Specify Code - WO)
2	5640	GE 60-Amp Circuit Breaker
2	5652	Square D 60-Amp Circuit Breaker
3	EBVS27	27 kW Vessel Assembly
4	@EBTSW5627	Standby Switch Board
5	4038KIT	50-Amp DC Triac Kit
6	WFS25F	Outdoor Sensor
7	EBCBW5421	Wiring Harness (<i>Not Shown</i>)

Common Parts for the EB-S-**-** and EB-W*-**-** Series		
8	5456A	Pressure / Temperature Gauge
9	5127	25-Amp DC Relay
10	5535	205° Manual Reset Limit
11	5537	190° Auto Reset Limit
12	2232	Pump Terminal Block
13	5541	40VA Transformer with Pigtails
14	EB5520	4.5 kW Element with Gasket
15	WFSB	Supply Sensor
16	5533	Sensor Well
17	5453	30 psi Relief Valve
18	XEL7800	¾" Pipe Elbow (<i>Not Shown</i>)
19	XNPL7775	¾" x 12" Pipe Nipple (<i>Not Shown</i>)
20	XCPL7075	¾" Pipe Coupling (<i>Not Shown</i>)
21	UFUSE0440	2-Amp Fast Blow Fuse (<i>Not Shown</i>)

TS Standard 3-Phase Electro-Boiler™

EB-WO-**-2 Series



ART-185 1.0

Replacement Part #	Description
--------------------	-------------

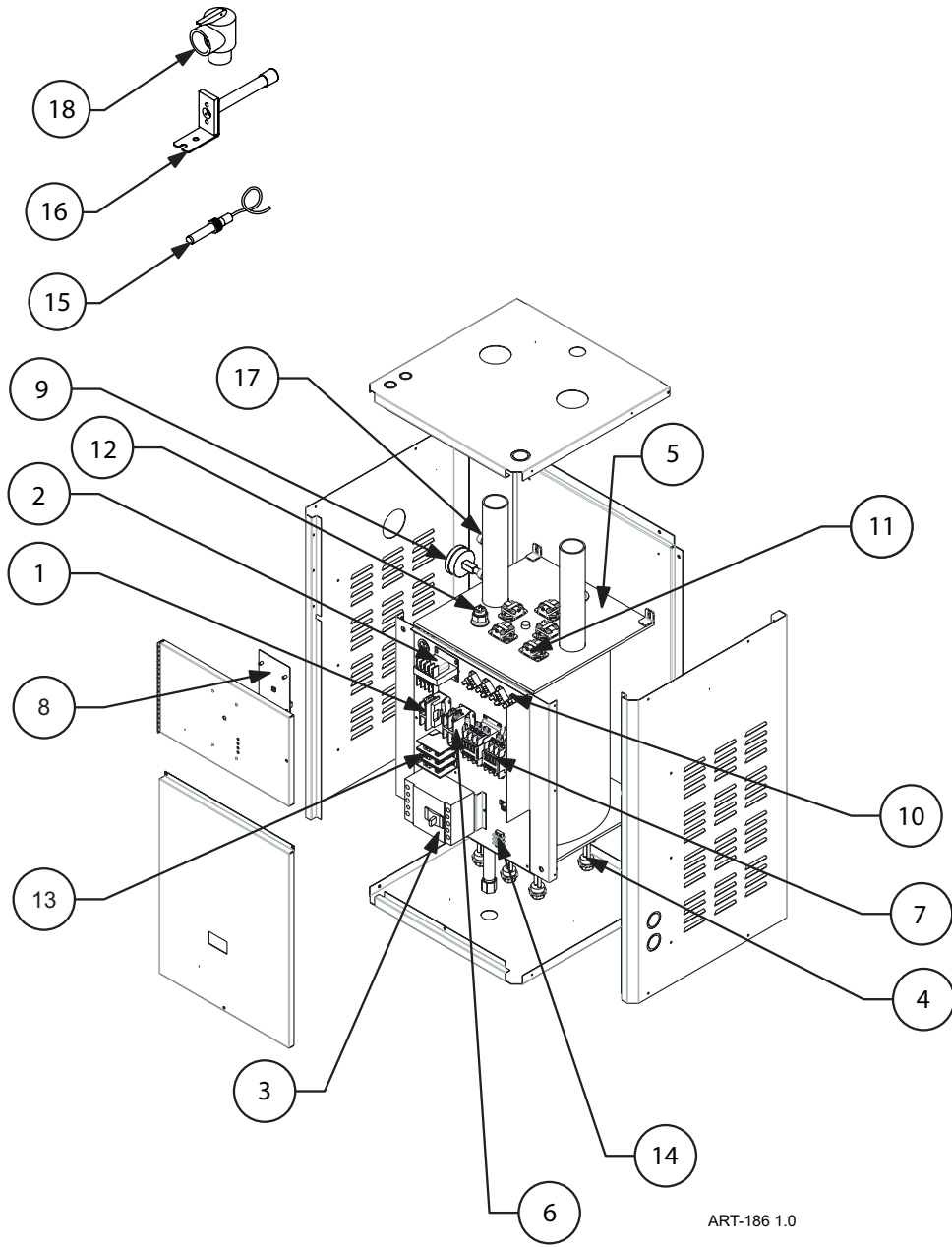
EB-WO-13-2	
1	5670 GE 50-Amp 3-Phase Circuit Breaker
1	5655 Square D 50-Amp 3-Phase Circuit Breaker
2	EBVS13-2 13 kW 3-Phase Vessel Assembly
3	EBCBW5424 Wiring Harness (<i>Not Shown</i>)

EB-WO-27-2	
1	5672 GE 100-Amp 3-Phase Circuit Breaker
1	5658 Square D 100-Amp 3-Phase Circuit Breaker
2	EBVS27-2 27 kW 3-Phase Vessel Assembly
3	EBCBW5421 Wiring Harness (<i>Not Shown</i>)

Replacement Part #	Description
--------------------	-------------

Common Parts for the EB-WO-**-2 3-Phase Series	
4	EB5623WO Control Board
4a	UIC9266 R-086 Microchip v. 6.2* (Specify Code – WO)
5	@EBTSW5627 Standby Switch Board
6	4038KIT 50-Amp DC Triac Kit
7	5456A Pressure / Temperature Gauge
8	5127 25-Amp DC Relay
9	5535 205° Manual Reset Limit
10	5537 190° Auto Reset Limit
11	2232 Pump Terminal Block
12	5541 40VA Transformer with Pigtailed
13	EB5521 4.5 kW Element with Gasket (3 Phase)
14	WFSB Supply Sensor
15	WFS25F Outdoor Sensor
16	5533 Sensor Well
17	5453 30 psi Relief Valve
18	XEL7800 3/4" Pipe Elbow (<i>Not Shown</i>)
19	XNPL7775 3/4" x 12" Pipe Nipple (<i>Not Shown</i>)
20	XCPL7075 3/4" Pipe Coupling (<i>Not Shown</i>)
21	UFUSE0440 2-Amp Fast Blow Fuse (<i>Not Shown</i>)

TS Commercial Electro-Boiler™ EB-C-** and EB-C-**-** Series



ART-186 1.0

(SEE NEXT PAGE FOR PARTS LIST)

TS Commercial Electro-Boiler™

EB-C-** and EB-C-**-** Series

Replacement Part #		Description
--------------------	--	-------------

EB-C-18-48		
1	5528	30-Amp Single Pole Contactor Relay
2	5542	50 VA Transformer
3	5661	Square D 30-Amp 3 Phase Circuit Breaker
4	EB5525	6 kW Element with Gasket
5	EBVS18-48	18 kW Vessel Assembly

EB-C-36-48		
1	5528	30-Amp Single Pole Contactor Relay
2	5542	50 VA Transformer
3	5662	Square D 60-Amp 3 Phase Circuit Breaker
4	EB5525	6 kW Element with Gasket
5	EBVS36-48	36 kW Vessel Assembly
6	5126	30-Amp Two Pole Contactor Relay

EB-C-54-48		
1	5528	30-Amp Single Pole Contactor Relay
2	5542	50 VA Transformer
3	5663	Square D 80-Amp 3 Phase Circuit Breaker
4	EB5525	6 kW Element with Gasket
5	EBVS54-48	54 kW Vessel Assembly
6	5126	30-Amp Two Pole Contactor Relay
7	5527	30-Amp Three Pole Contactor Relay

EB-C-27-20		
1	5528	30-Amp Single Pole Contactor Relay
2	5541	40VA Transformer with Pigtails
3	5658	Square D 100-Amp 3 Phase Circuit Breaker
4	EB5521	4.5 kW Element with Gasket
5	EBVS27-20	27 kW Vessel Assembly
6	5126	30-Amp Two Pole Contactor Relay

EB-C-40-20		
1	5528	30-Amp Single Pole Contactor Relay
2	5541	40 VA Transformer with Pigtails
3	5660	Square D 150-Amp 3 Phase Circuit Breaker
4	EB5521	4.5 kW Element with Gasket
5	EBVS40-20	40 kW Vessel Assembly
6	5126	30-Amp Two Pole Contactor Relay
7	5527	30-Amp Three Pole Contactor Relay

EB-C-27-24		
1	5528	30-Amp Single Pole Contactor Relay
2	5541	40 VA Transformer with Pigtails
3	5657	Square D 80-Amp 3 Phase Circuit Breaker
4	EB5520	4.5 kW Element with Gasket
5	EBVS27-24	27 kW Vessel Assembly
6	5126	30-Amp Two Pole Contactor Relay

Replacement Part #		Description
--------------------	--	-------------

EB-C-40-24		
1	5528	30-Amp Single Pole Contactor Relay
2	5541	40VA Transformer with Pigtails
3	5659	Square D 125-Amp 3 Phase Circuit Breaker
4	EB5520	4.5 kW Element with Gasket
5	EBVS40-24	40 kW Vessel Assembly
6	5126	30-Amp Two Pole Contactor Relay
7	5527	30-Amp Three Pole Contactor Relay

EB-C-31		
1	5528	30-Amp Single Pole Contactor Relay
2	5541	40VA Transformer with Pigtails
3	5653	Square D 80-Amp Circuit Breaker
3	5643S	Square D 100-Amp Circuit Breaker
4	EB5520	4.5 kW Element with Gasket
5	EBVS31	31 kW Vessel Assembly
6	5126	30-Amp Two Pole Contactor Relay

EB-C-36		
2	5541	40VA Transformer with Pigtails
3	5653	Square D 80-Amp Circuit Breaker
3	5643S	Square D 100-Amp Circuit Breaker
4	EB5520	4.5 kW Element with Gasket
5	EBVS36	36 kW Vessel Assembly
6	5126	30-Amp Two Pole Contactor Relay

Common Parts for the EB-C-** and EB-C-**-** Series

8	EB5623CO	Control Board (Outdoor Sensor)
8a	UIC9266 R-105	Microchip v. 5.3* (Specify Code – CO)
8	EB5623CA	Control Board (No Outdoor Sensor)
8a	UIC9266 R-105	Microchip v. 5.3* (Specify Code – CA)
9	5456	Pressure / Temperature Gauge
10	5127	25-Amp DC Relay
11	5535	205° Manual Reset Limit
12	5537	190° Auto Reset Limit
13	VLUG5526	Main Terminal Block
14	2232	Pump Terminal Block
15	WFSB	Supply Sensor
16	WFS25F	Outdoor Sensor
17	5533	Sensor Well
18	5453	30 psi Relief Valve
19	XEL7800	¾" Pipe Elbow (<i>Not Shown</i>)
20	XNPL7775	¾" x 12" Pipe Nipple (<i>Not Shown</i>)
21	XCPL7075	¾" Pipe Coupling (<i>Not Shown</i>)
22	UFUSE0440	2-Amp Fast Blow Fuse (<i>Not Shown</i>)

WarmFlo® Electro-Boiler™

EB-W-** Series

Replacement Part #	Description	
EB-W-13		
5639	GE	30-Amp Circuit Breaker
5640	GE	60-Amp Circuit Breaker
EB-W-18		
5640	GE	60-Amp Circuit Breaker
EB-W-23		
EMR1B8102B		Upperstage Relay Board
5639	GE	30-Amp Circuit Breaker
5640	GE	60-Amp Circuit Breaker
EB-W-27		
EMR1B8102B		Upperstage Relay Board
5640	GE	60-Amp Circuit Breaker

Replacement Part #	Description	
Common Parts for the EB-W-** Series (WarmFlo II)		
WF2EB		Control Board
UIC9266 R-096		Microchip v. 2.2* (Specify Code – EBA or EBW)
UIC9266 R-080		Microchip v. 2.3* (Specify Code – EBA or EBW)
WFR3T5616		Relay Board
WFIBT5619B		Pump / Thermostat Board
@WFSST10FT		Supply Sensor (<i>Boilers Manufactured before 7/2004 – Corresponds with Microchip v. 2.2*</i>)
WFSOF		Outdoor Sensor (<i>Boilers Manufactured before 7/2004 – Corresponds with Microchip v. 2.2*</i>)
WFSB		Supply Sensor (<i>Boilers Manufactured after 7/2004 – Corresponds with Microchip v. 2.3*</i>)
WFS25F		Outdoor Sensor (<i>Boilers Manufactured after 7/2004 – Corresponds with Microchip v. 2.3*</i>)
5533		Sensor Well
4037KIT		50-Amp Triac Kit
5456A		Pressure / Temperature Gauge
5535		205° Manual Reset Limit
5537		190° Auto Reset Limit
EB5520		4.5kW Element with Gasket
UFUSE0440		2-Amp Fast Blow Fuse
5453		30 psi Relief Valve

Electro-Boiler™

EB-L-** and EB-** Series

Replacement Part #	Description
--------------------	-------------

EB-L-13 / EB-13	
D5639S	Square D 30-Amp Circuit Breaker
D5640S	Square D 60-Amp Circuit Breaker
5639	GE 30-Amp Circuit Breaker
5640	GE 60-Amp Circuit Breaker

EB-L-18 / EB-18	
D5640S	Square D 60-Amp Circuit Breaker
5640	GE 60-Amp Circuit Breaker

EB-L-23 / EB-23	
EMR3D8410	3 rd Stage Relay Board
D5639S	Square D 30-Amp Circuit Breaker
D5640S	Square D 60-Amp Circuit Breaker
5639	GE 30-Amp Circuit Breaker
5640	GE 60-Amp Circuit Breaker

EB-L-27 / EB-27	
EMR3D8410	3 rd Stage Relay Board
D5640S	Square D 60-Amp Circuit Breaker
5640	GE 60-Amp Circuit Breaker

Replacement Part #	Description
--------------------	-------------

Common Parts for the EB-L-** and EB-** Series	
EM5835C	Dual Fuel Control Module
EM5845	Dual Fuel Control Board
EB5515	Relay Board
5530	Inlet Emersion Aquastat
D5450	Aquastat Control
5456A	Pressure / Temperature Gauge
5126	30-Amp Two Pole Contactor Relay
5535	205° Manual Reset Limit
5537	190° Auto Reset Limit
2232	Pump Terminal Block
1467	40VA Transformer with Pigtails
D5440	Square D 15-Amp Circuit Breaker
EB5520	4.5 kW Element with Gasket
UFUSE0440	2-Amp Fast Blow Fuse
5453	30 psi Relief Valve

Electro-Boiler™

EB-R-** Series

Replacement Part #	Description	
EB-R-13		
5639	GE	30-Amp Circuit Breaker
5640	GE	60-Amp Circuit Breaker
EB-R-18		
5640	GE	60-Amp Circuit Breaker
EB-R-23		
@EMR3E8410A	3 rd	Stage Relay Board
5639	GE	30-Amp Circuit Breaker
5640	GE	60-Amp Circuit Breaker
EB-R-27		
@EMR3E8410A	3 rd	Stage Relay Board
5640	GE	60-Amp Circuit Breaker

Replacement Part #	Description	
Common Parts for the EB-R-** Series		
EMHCB5502A	Control	Board
UIC9762 R-023	Microchip	v. 1.0*
EM5626-0	Pump	Relay Board
5530	Inlet	Emersion Aquastat
5456A	Pressure /	Temperature Gauge
5126	30-Amp	Two Pole Contactor Relay
5535	205°	Manual Reset Limit
5538	160°	Auto Reset Limit
5541	40VA	Transformer with Pigtails
EB5520	4.5 kW	Element with Gasket
UFUSE0440	2-Amp	Fast Blow Fuse
5453	30 psi	Relief Valve

Electro-Boiler™

EB-E-** Series

Replacement Part #	Description	
EB-E-13		
5639	GE 30-Amp Circuit Breaker	
5640	GE 60-Amp Circuit Breaker	
EB-E-18		
5640	GE 60-Amp Circuit Breaker	
EB-E-23		
@EMR3E8410A	3 rd Stage Relay Board	
5639	GE 30-Amp Circuit Breaker	
5640	GE 60-Amp Circuit Breaker	
EB-E-27		
@EMR3E8410A	3 rd Stage Relay Board	
5640	GE 60-Amp Circuit Breaker	

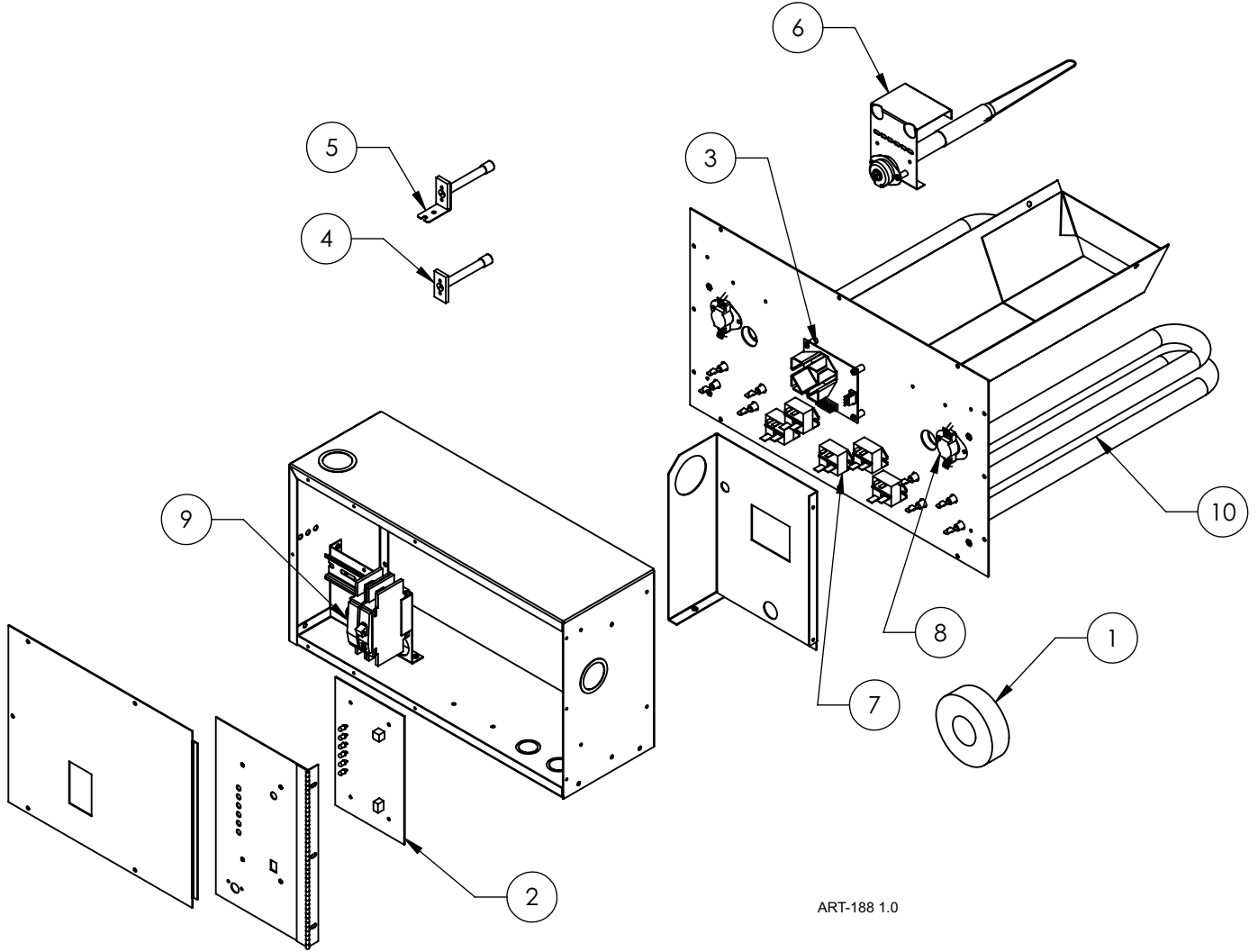
Replacement Part #	Description	
Common Parts for the EB-E-** Series		
EMHCB5502A	Control Board	
UIC9762 R-023	Microchip v. 1.0*	
EM5626-0	Pump Relay Board	
5530	Inlet Emersion Aquastat	
D5450	Aquastat Control	
5456A	Pressure / Temperature Gauge	
5126	30-Amp Two Pole Contactor Relay	
5535	205° Manual Reset Limit	
5537	190° Auto Reset Limit	
5541	40VA Transformer with Pigtails	
EB5520	4.5 kW Element with Gasket	
UFUSE0440	2-Amp Fast Blow Fuse	
5453	30 psi Relief Valve	

Electro Blue Boiler

EBE-** Series

Replacement Part #	Description
Parts for the EBE-20 and EBE-24	
EB-5412	DFC Conversion Kit
D5450	Aquastat Control
5456A	Pressure / Temperature Gauge
D5451	25-Amp Contactor Relay
5535	205° Manual Reset Limit
1467	40VA Transformer with Pigtails
D5440	Square D 15-Amp Circuit Breaker
D5639S	Square D 30-Amp Circuit Breaker
D5640S	Square D 60-Amp Circuit Breaker
D5461	4 kW Element (<i>EBE-24 Only</i>)
D5454	5 kW Element (<i>EBE-20 and EBE-24</i>)

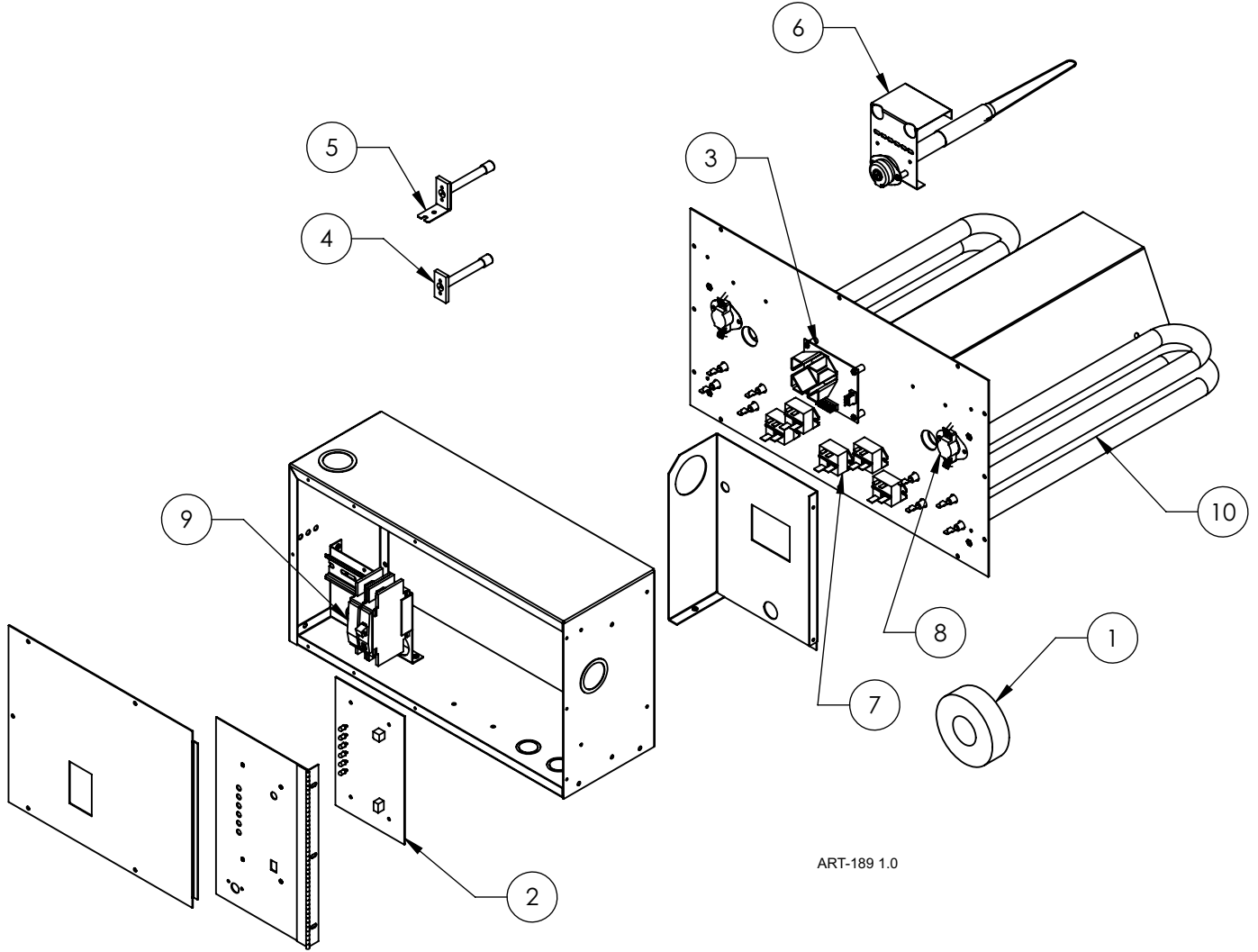
Electro EZ-Mate™ EM-LV**4** Series



ART-188 1.0

Replacement Part #		Description
EM-LV104Z5 EM-LV104Z8		
EM-LV104L5 EM-LV104L8		
1	3629	200-Amp 1:1000 Current Transformer
Common Parts for the EM-LV**** Series		
2	WF5630EZ	WarmFlo + Control Board
2a	UIC9266 R-112	Microchip v. 10.0*
3	WFPDC5632	Relay Driver Board
4	WFS5F	Duct Sensor
5	WFS25F	Outdoor Sensor
6	EM5729	High Limit Probe
7	5127	25-Amp DC Relay
8	5633	118° Auto High Limit
9	5640	GE 60-Amp Circuit Breaker
9	5652	Square D 60-Amp Circuit Breaker
10	EM5620	2.5 kW SpinFin Element
11	EMCBW5200	WarmFlo + Relay Cable (<i>Not Shown</i>)
12	EMCBW5201	AC to DC Relay Cable (<i>Not Shown</i>)

Electro EZ-Mate™ EM-LD**4** Series

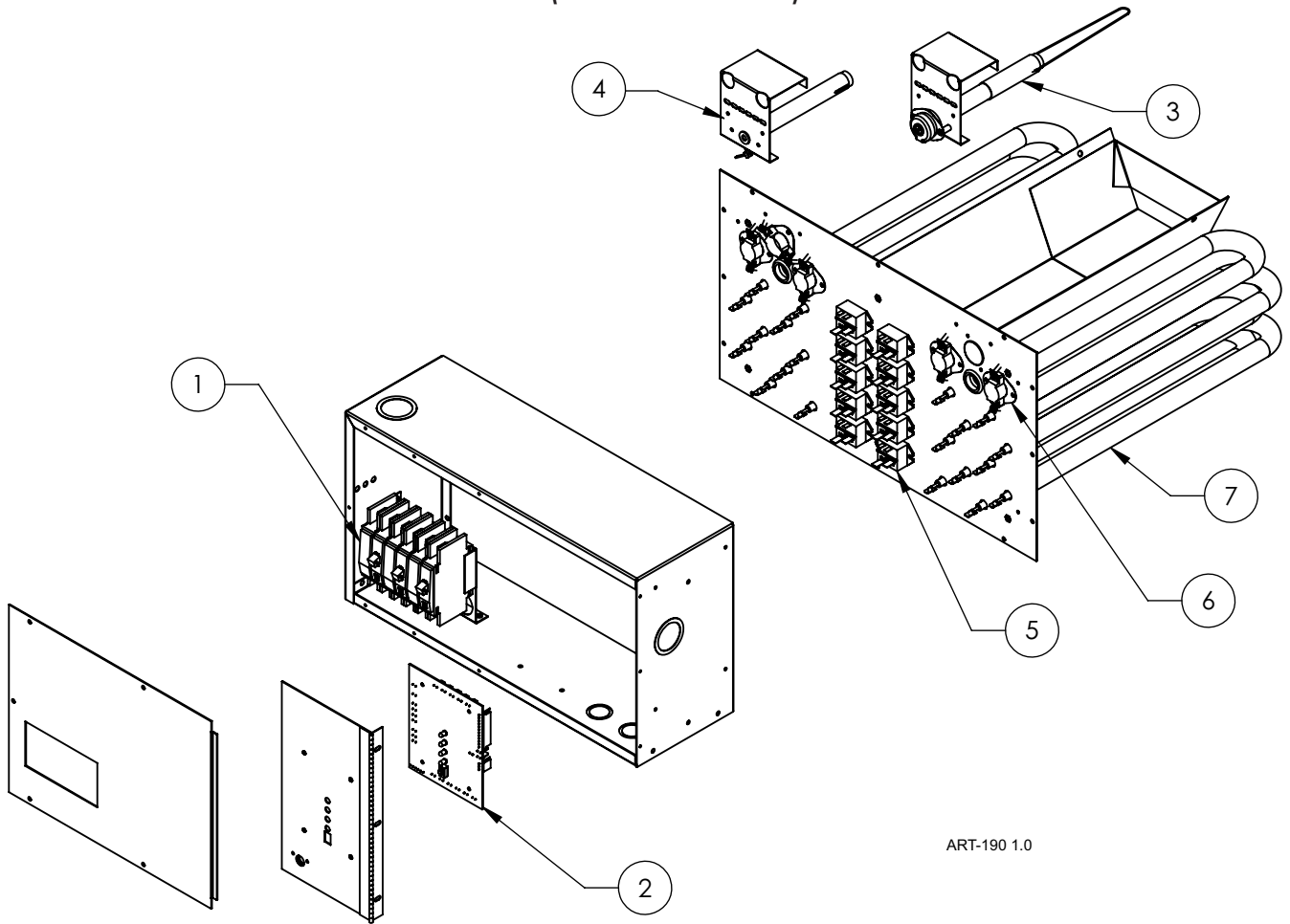


ART-189 1.0

Replacement Part #		Description
EM-LD104Z5 / EM-LD104Z8		
EM-LD104L5 / EM-LD104L8		
1	3629	200-Amp 1:1000 Current Transformer
Common Parts for the EM-LD**** Series		
2	WF5630EZ	WarmFlo + Control Board
2a	UIC9266 R-112	Microchip v. 10.0*
3	WFPDC5632	Relay Board
4	WFS5F	Duct Sensor
5	WFS25F	Outdoor Sensor
6	EM5729	High Limit Probe
7	5127	25-Amp DC Relay
8	5633	118° Auto High Limit
9	5640	GE 60-Amp Circuit Breaker
9	5652	Square D 60-Amp Circuit Breaker
10	EM5620	2.5 kW SpinFin Element
11	EMCBW5200	WarmFlo + Relay Cable (<i>Not Shown</i>)
12	EMCBW5201	AC to DC Relay Cable (<i>Not Shown</i>)

HeatChoice II™

EH-U**-* (EM-EU***C*) Series



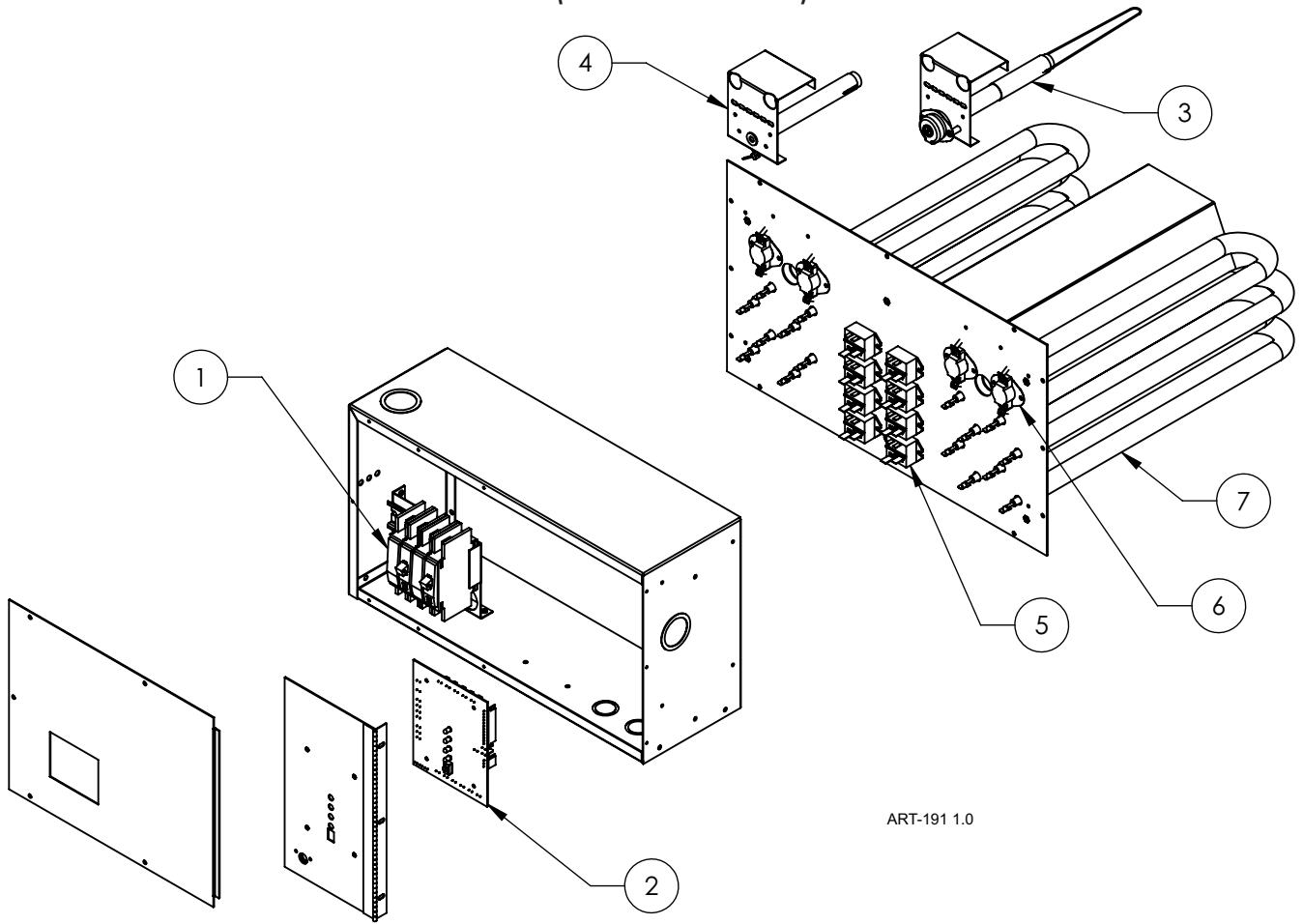
ART-190 1.0

Replacement Part #		Description
EH-U10-5 (EM-EU102C5) EH-U10-8 (EM-EU102C8)		
1	5652	Square D 60-Amp Circuit Breaker
EH-U15-5 (EM-EU153C5) EH-U-15-8 (EM-EU153C8)		
1	5650	Square D 30-Amp Circuit Breaker
1	5652	Square D 60-Amp Circuit Breaker
EH-U20-5 (EM-EU204C5) EH-D20-8 (EM-EU204C8)		
1	5652	Square D 60-Amp Circuit Breaker
EH-U25-8 (EM-EU255C8)		
1	5650	Square D 30-Amp Circuit Breaker
1	5652	Square D 60-Amp Circuit Breaker

Replacement Part #		Description
Common Parts for the EH-U**-* (EM-EU***C*) Series		
2	EMDEC5633	HeatChoice II Control Board
3	EM5729	High Limit Probe
4	EM5724	Blower Limit Probe
5	5127	25-Amp DC Relay
6	5633	118° Auto High Limit
7	EM5620	2.5 kW SpinFin Element

HeatChoice II™

EH-D**-* (EM-ED***C*) Series



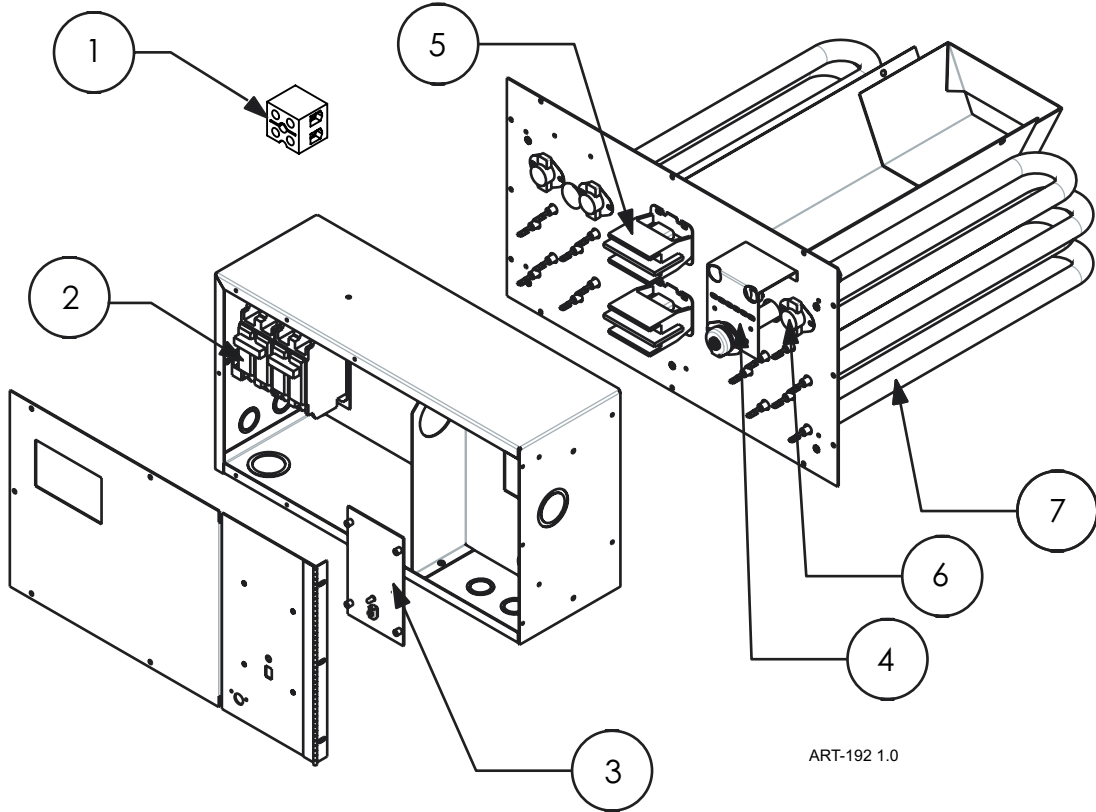
ART-191 1.0

Replacement Part #		Description
<i>EH-D10-5 (EM-ED102C5) EH-D10-8 (EM-ED102C8)</i>		
1	5652	Square D 60-Amp Circuit Breaker
<i>EH-D15-5 (EM-ED153C5) EH-D15-8 (EM-ED153C8)</i>		
1	5650	Square D 30-Amp Circuit Breaker
1	5652	Square D 60-Amp Circuit Breaker
<i>EH-D20-5 (EM-ED204C5) EH-D20-8 (EM-ED204C8)</i>		
1	5652	Square D 60-Amp Circuit Breaker

Replacement Part #		Description
<i>Common Parts for the EH-D**-* (EM-ED***C*) Series</i>		
2	EMDEC5633	HeatChoice II Control Board
3	EM5729	High Limit Probe
4	EM5724	Blower Limit Probe
5	5127	25-Amp DC Relay
6	5633	118° Auto High Limit
7	EM5620	2.5 kW SpinFin Element

HeatChoice™

EH-U**-* (EM-EU***C*) Series



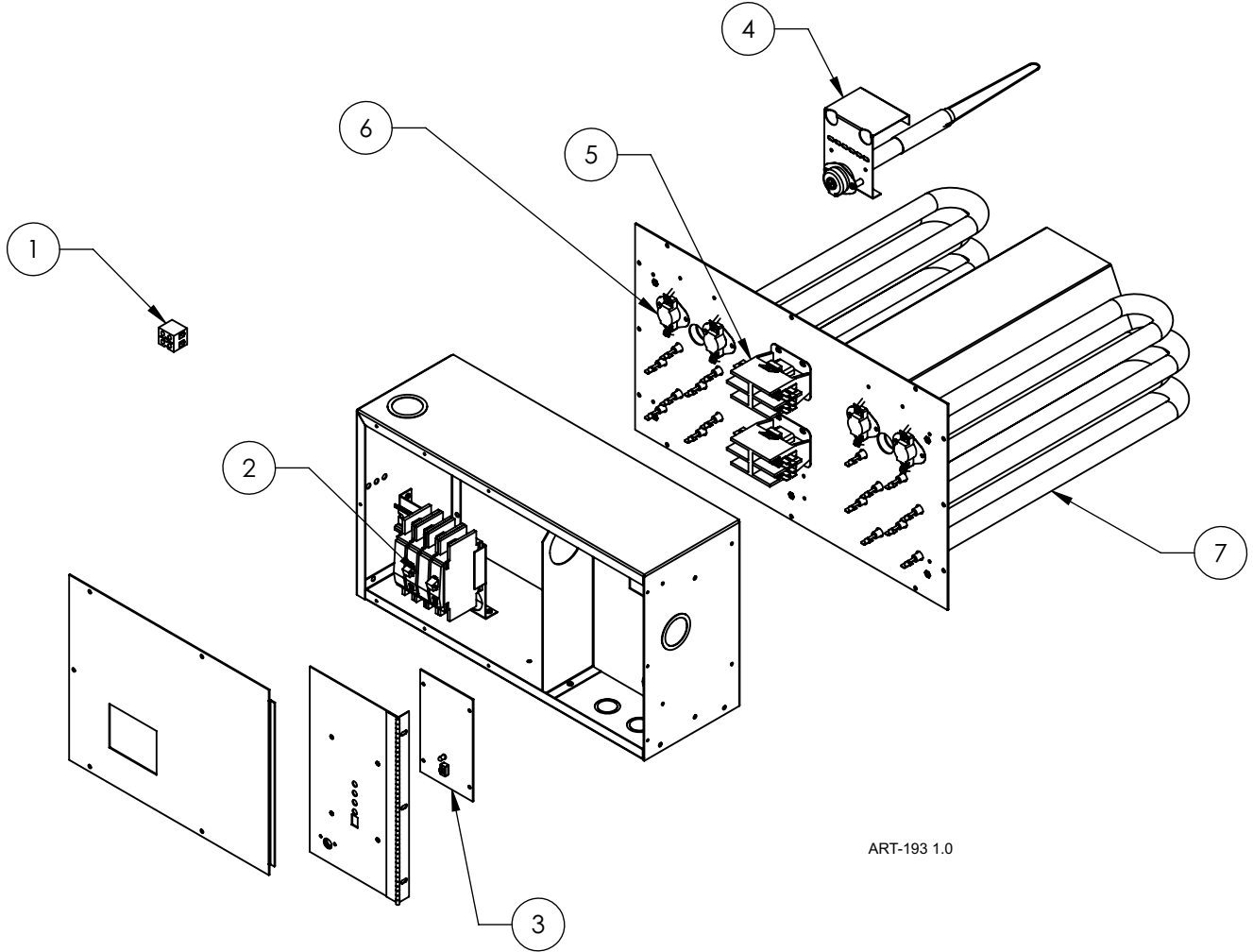
ART-192 1.0

Replacement Part #	Description	
EH-U05-5 (EM-EU051C5) EH-U05-8 (EM-EU051C8)		
1	6636	Terminal Block
EH-U10-5 (EM-EU101C5) EH-U10-8 (EM-EU101C8)		
1	6636	Terminal Block
EH-U15-5 (EM-EU152C5) EH-U15-8 (EM-EU152C8)		
2	5641	GE 45-Amp Circuit Breaker
2	5651	Square D 45-Amp Circuit Breaker
EH-U20-5 (EM-EU202C5) EH-U20-8 (EM-EU202C8)		
2	5640	GE 60-Amp Circuit Breaker
2	5652	Square D 60-Amp Circuit Breaker

Replacement Part #	Description	
EH-U25-8 (EM-EU253C8)		
2	5639	GE 30-Amp Circuit Breaker
2	5640	GE 60-Amp Circuit Breaker
2	5650	Square D 30-Amp Circuit Breaker
2	5652	Square D 60-Amp Circuit Breaker
Common Parts for the EH-U**-* (EM-EU***C*) Series		
3	EMDHC5626	HeatChoice Control Board
4	EM5729	High Limit Probe
5	5126	30-Amp Two Pole Contactor Relay
6	5633	118° Auto High Limit
7	EM5620	2.5 kW SpinFin Element
8	UFUSE0440	2-Amp Fast Blow Fuse (<i>Not Shown</i>)

HeatChoice™

EH-D**-* (EM-ED***C*) Series

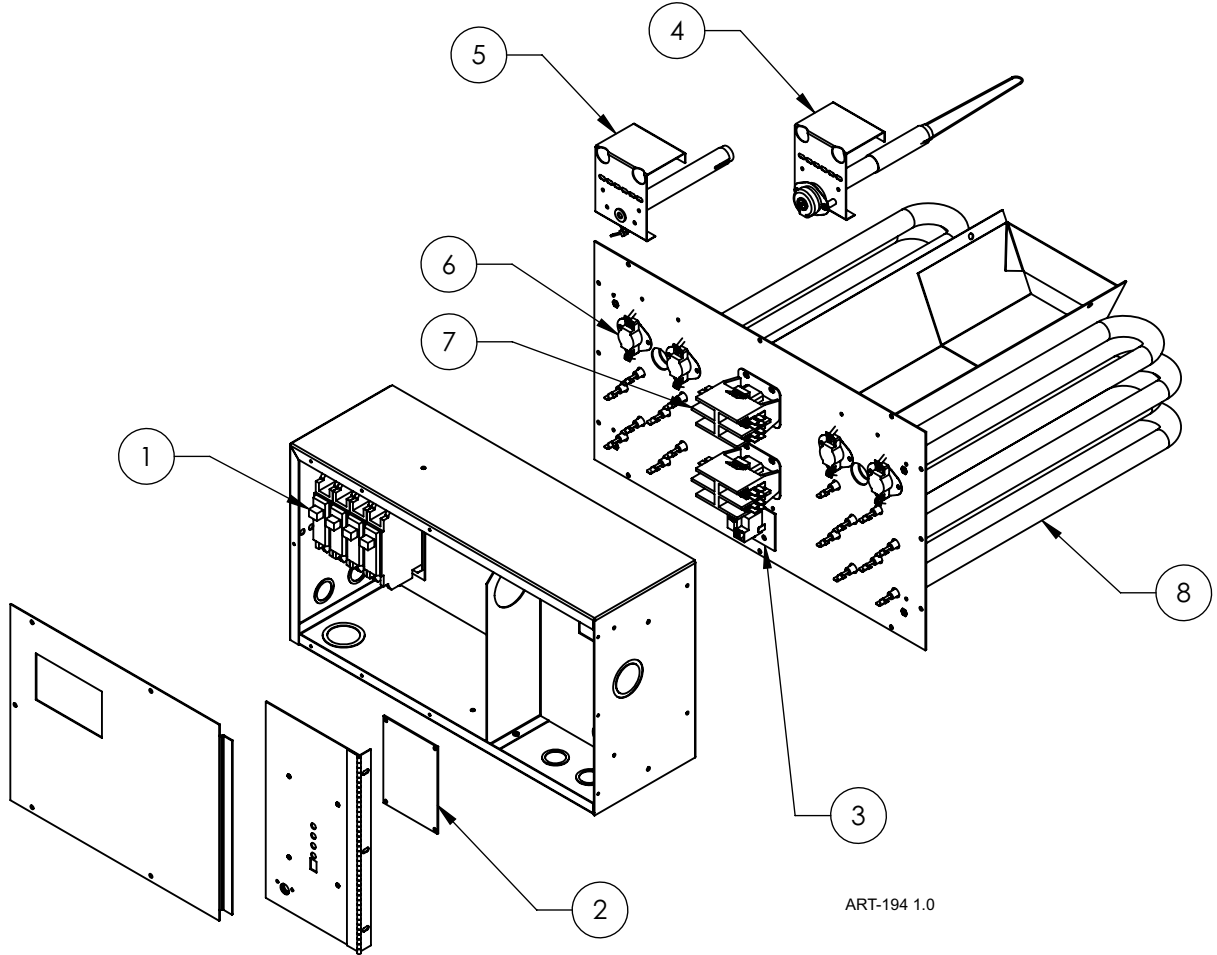


ART-193 1.0

Replacement Part #	Description	
<i>EH-D05-5 (EM-ED051C5) EH-D05-8 (EM-ED051C8)</i>		
1	6636	Terminal Block
<i>EH-D10-5 (EM-ED101C5) EH-D10-8 (EM-ED101C8)</i>		
1	6636	Terminal Block
<i>EH-D15-5 (EM-ED152C5) EH-D15-8 (EM-ED152C8)</i>		
2	5641	GE 45-Amp Circuit Breaker
2	5651	Square D 45-Amp Circuit Breaker
<i>EH-DU20-5 (EM-ED202C5) EH-D20-8 (EM-ED202C8)</i>		
2	5640	GE 60-Amp Circuit Breaker
2	5652	Square D 60-Amp Circuit Breaker

Replacement Part #	Description	
<i>Common Parts for the EH-D**-* (EM-ED***C*) Series</i>		
3	EMDHC5626	HeatChoice Control Board
4	EM5729	High Limit Probe
5	5126	30-Amp Two Pole Contactor Relay
6	5633	118° Auto High Limit
7	EM5620	2.5 kW SpinFin Element
8	UFUSE0440	2-Amp Fast Blow Fuse (<i>Not Shown</i>)

Electro-Mate® EM-EU***** Series

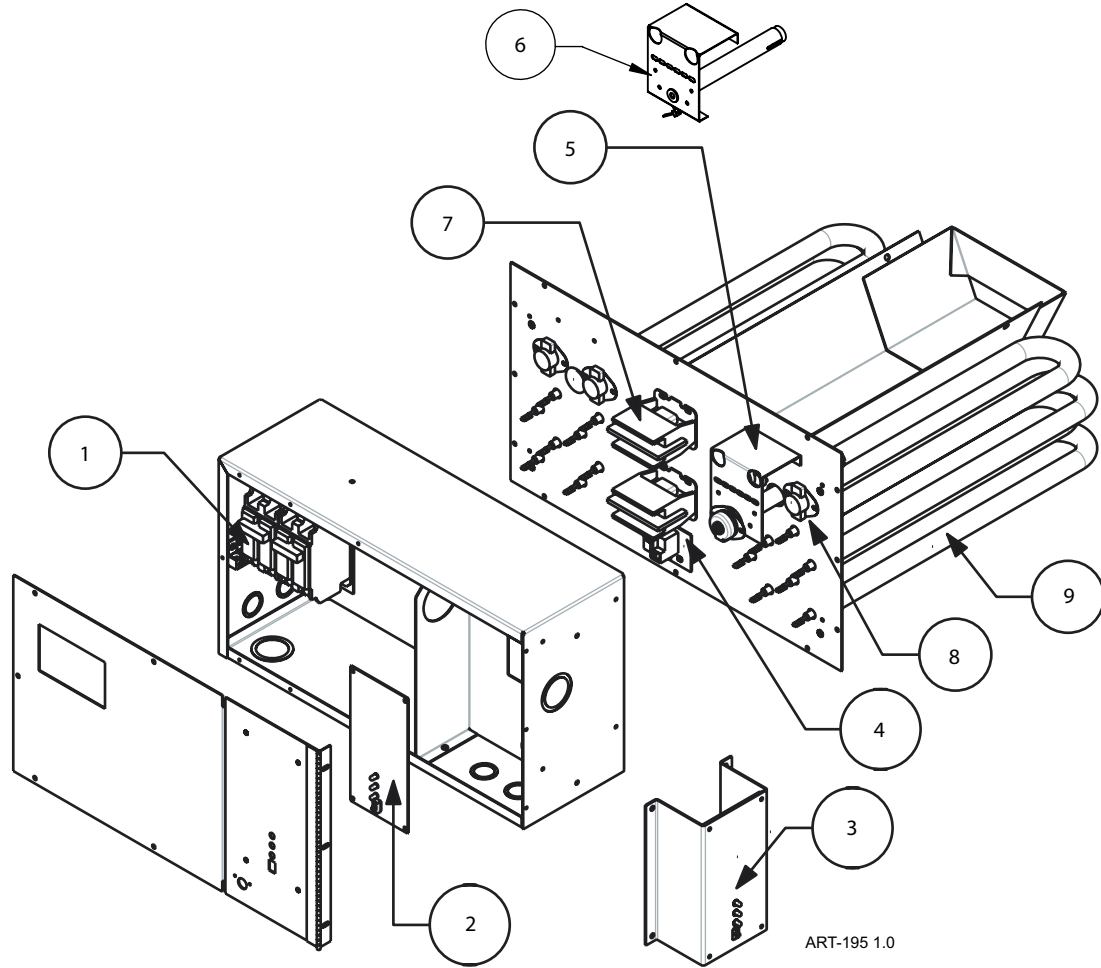


Replacement Part #		Description
EM-EU10115 EM-EU10118		
1	5640	GE 60-Amp Circuit Breaker
EM-EU15275 EM-EU15278		
1	5641	GE 45-Amp Circuit Breaker
EM-EU20215 EM-EU20218		
1	5640	GE 60-Amp Circuit Breaker

Replacement Part #		Description
Common Parts for the EM-EU***** Series		
2	@EMDFE5504	Control Board
3	EM5626-2	Blower Relay Board
4	EM5729	High Limit Probe (<i>For Plenum Heaters Manufactured after 06/2004</i>)
5	EM5724	Blower Limit Probe
6	5633	118° Auto High Limit
7	5126	30-Amp Two Pole Contactor Relay
8	EM5620	2.5 kW SpinFin Element

Electro-Mate®

EM-LV***** and EM-LU***** Series



Replacement Part #	Description
--------------------	-------------

EM-LV10115 EM-LU10115 EM-LV10118 EM-LU10118	
1	5640 GE 60-Amp Circuit Breaker
1	5652 Square D 60-Amp Circuit Breaker

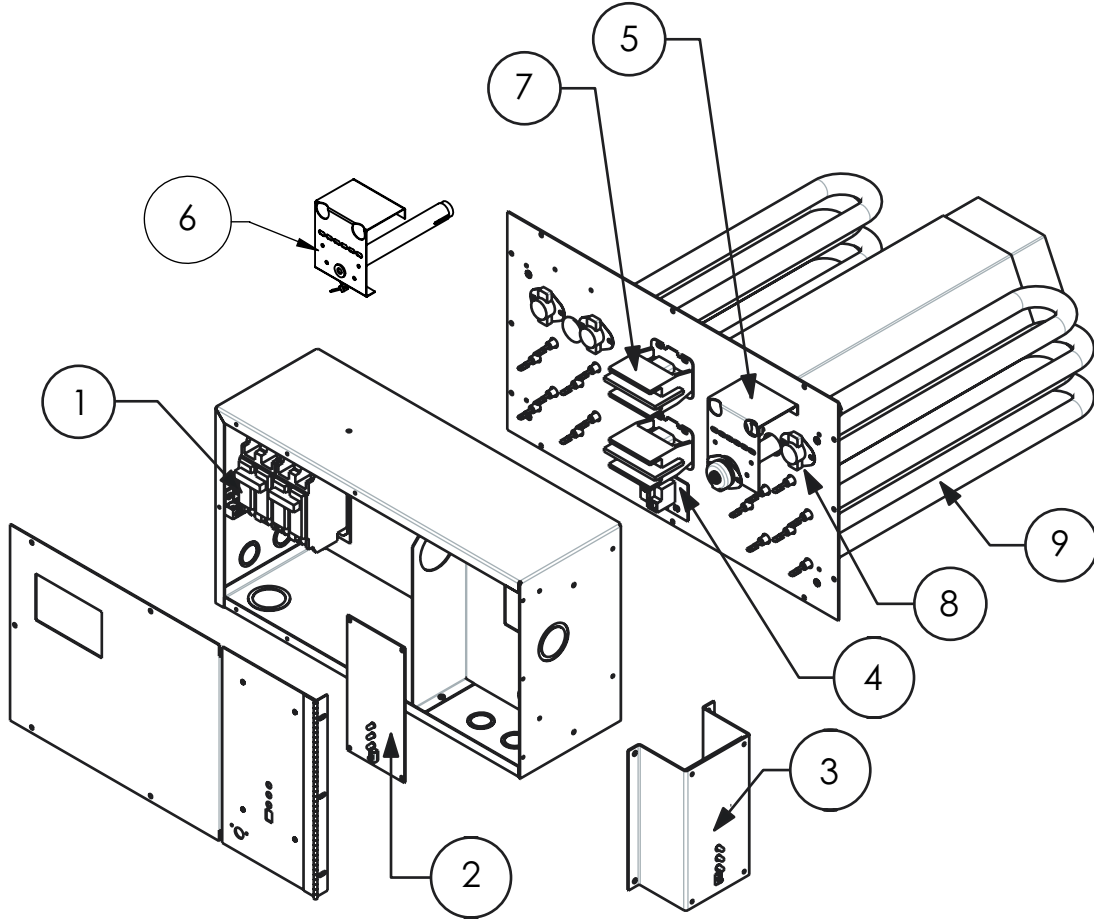
EM-LV15275 EM-LU15275 EM-LV15278 EM-LU15278	
1	5641 GE 45-Amp Circuit Breaker
1	5651 Square D 45-Amp Circuit Breaker

EM-LV20215 EM-LU20215 EM-LV20218 EM-LU20218	
1	5640 GE 60-Amp Circuit Breaker
1	5652 Square D 60-Amp Circuit Breaker

Replacement Part #	Description
--------------------	-------------

Common Parts for the EM-LV***** and EM-LU***** Series	
2	EM5845 Dual Fuel Control (Door Mount)
3	EM5735C Dual Fuel Control (Mounted on Black Bracket)
4	EM5626-2 Blower Relay Board
5	EM5729 High Limit Probe (For Plenum Heaters Manufactured after 11/2001)
6	EM5724 Blower Limit Probe
7	5126 30-Amp Two Pole Contactor Relay
8	5633 118° Auto High Limit
9	EM5620 2.5 kW SpinFin Element
10	UFUSE0440 2-Amp Fast Blow Fuse (Not Shown)

Electro-Mate® EM-LD***** Series

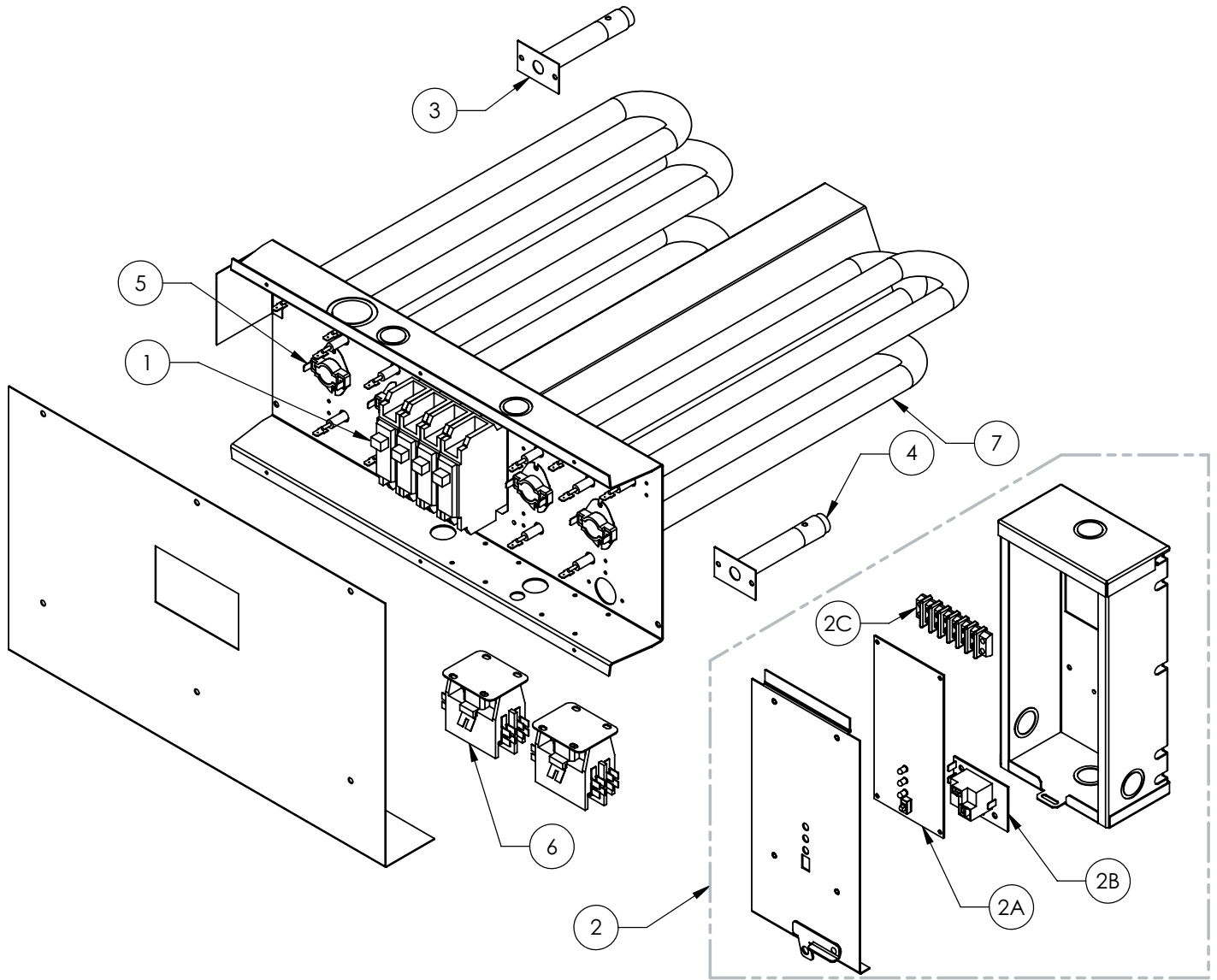


ART-196 1.0

Replacement Part #		Description
EM-LD10115 EM-LD10118		
1	5640	GE 60-Amp Circuit Breaker
1	5652	Square D 60-Amp Circuit Breaker
EM-LD15275 EM-LD15278		
1	5641	GE 45-Amp Circuit Breaker
1	5651	Square D 45-Amp Circuit Breaker
EM-LD20215 EM-LD20218		
1	5640	GE 60-Amp Circuit Breaker
1	5652	Square D 60-Amp Circuit Breaker

Replacement Part #		Description
Common Parts for the EM-LD***** Series		
2	EM5845	Dual Fuel Control (Door Mount)
3	EM5735C	Dual Fuel Control (Mounted on Black Bracket)
4	EM5626-2	Blower Relay Board
5	EM5729	High Limit Probe (For Plenum Heaters Manufactured after 11/2001)
6	EM5724	Blower Limit Probe
7	5126	30-Amp Two Pole Contactor Relay
8	5633	118° Auto High Limit
9	EM5620	2.5 kW SpinFin Element
10	UFUSE0440	2-Amp Fast Blow Fuse (Not Shown)

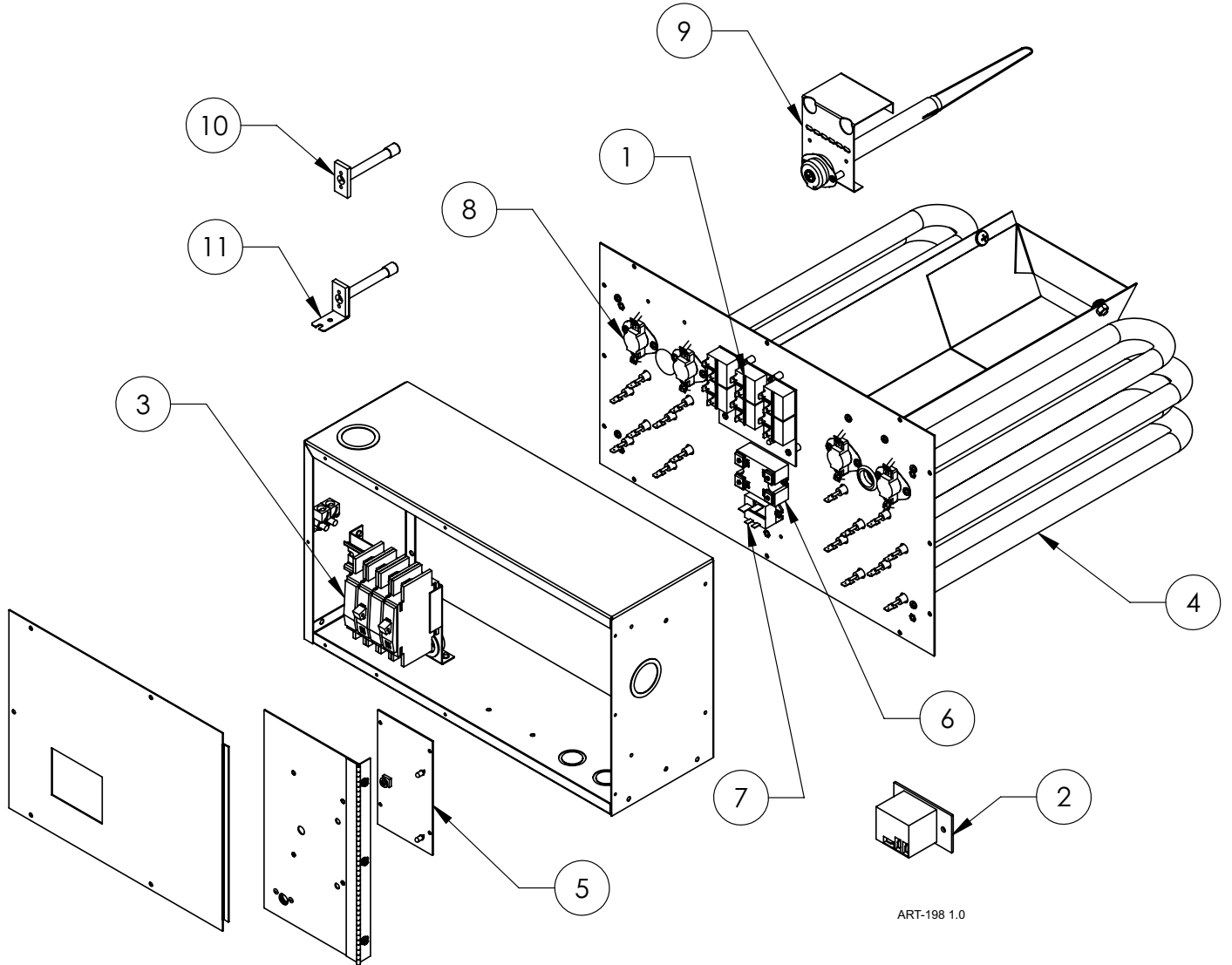
Electro-Mate® Coleman EM-LD****M Series



ART-197 1.0

Replacement Part #		Description
EM-LD1011M		
1	5640	GE 60-Amp Circuit Breaker
EM-LD1527M		
1	5641	GE 45-Amp Circuit Breaker
Common Parts for the EM-LD****M Series		
2	EE-5135-E	Complete Interface Module
2a	EM5835C	Dual Fuel Control
2b	EM5626-2	Blower Relay Board
2c	5961	Terminal Block
3	EM5713	Low Limit Probe
4	5631	205° High Limit
5	5129	200° High Limit
6	5126	30-Amp Two Pole Contactor Relay
7	EM5620	2.5 kW SpinFin Element

Electro-Mate® WarmFlo II® EM-WU***** Series



(SEE NEXT PAGE FOR PARTS LIST)

Electro-Mate® WarmFlo II®

EM-WU***** Series

Replacement Part #	Description	
--------------------	-------------	--

Replacement Part #	Description	
--------------------	-------------	--

EM-WU1025 / EM-WU10258

1	WFRFT5616	Relay Board
3	5640	GE 60-Amp Circuit Breaker
3	5652	Square D 60-Amp Circuit Breaker
4	EM5620	2.5 kW SpinFin Element

EM-WU14358

1	WFRFT5616	Relay Board
3	5670	GE 50-Amp 3 Phase Circuit Breaker
3	5655	Square D 50-Amp 3 Phase Circuit Breaker
4	5622	2.5 kW Element - 208 3-Phase

EM-WU15355 / EM-WU15358

1	WFRFT5616	Relay Board
3	5639	GE 30-Amp Circuit Breaker
3	5640	GE 60-Amp Circuit Breaker
3	5650	Square D 30-Amp Circuit Breaker
3	5652	Square D 60-Amp Circuit Breaker
4	EM5620	2.5 kW SpinFin Element

EM-WU20455 / EM-WU20458

1	WFRFT5616	Relay Board
3	5640	GE 60-Amp Circuit Breaker
3	5652	Square D 60-Amp Circuit Breaker
4	EM5620	2.5 kW SpinFin Element

EM-WU22478

1	WFRFT5616	Relay Board
2	EMR1B8102B	Upperstage Relay Board
3	5671	GE 80-Amp 3 Phase Circuit Breaker
3	5657	Square D 80-Amp 3 Phase Circuit Breaker
4	5622	2.5 kW Element - 208 3-Phase

EM-WU25458

1	WFRFT5616	Relay Board
2	EMR1B8102B	Upperstage Relay Board
3	5639	GE 30-Amp Circuit Breaker
3	5640	GE 60-Amp Circuit Breaker
3	5650	Square D 30-Amp Circuit Breaker
3	5652	Square D 60-Amp Circuit Breaker
4	EM5620	2.5 kW SpinFin Element

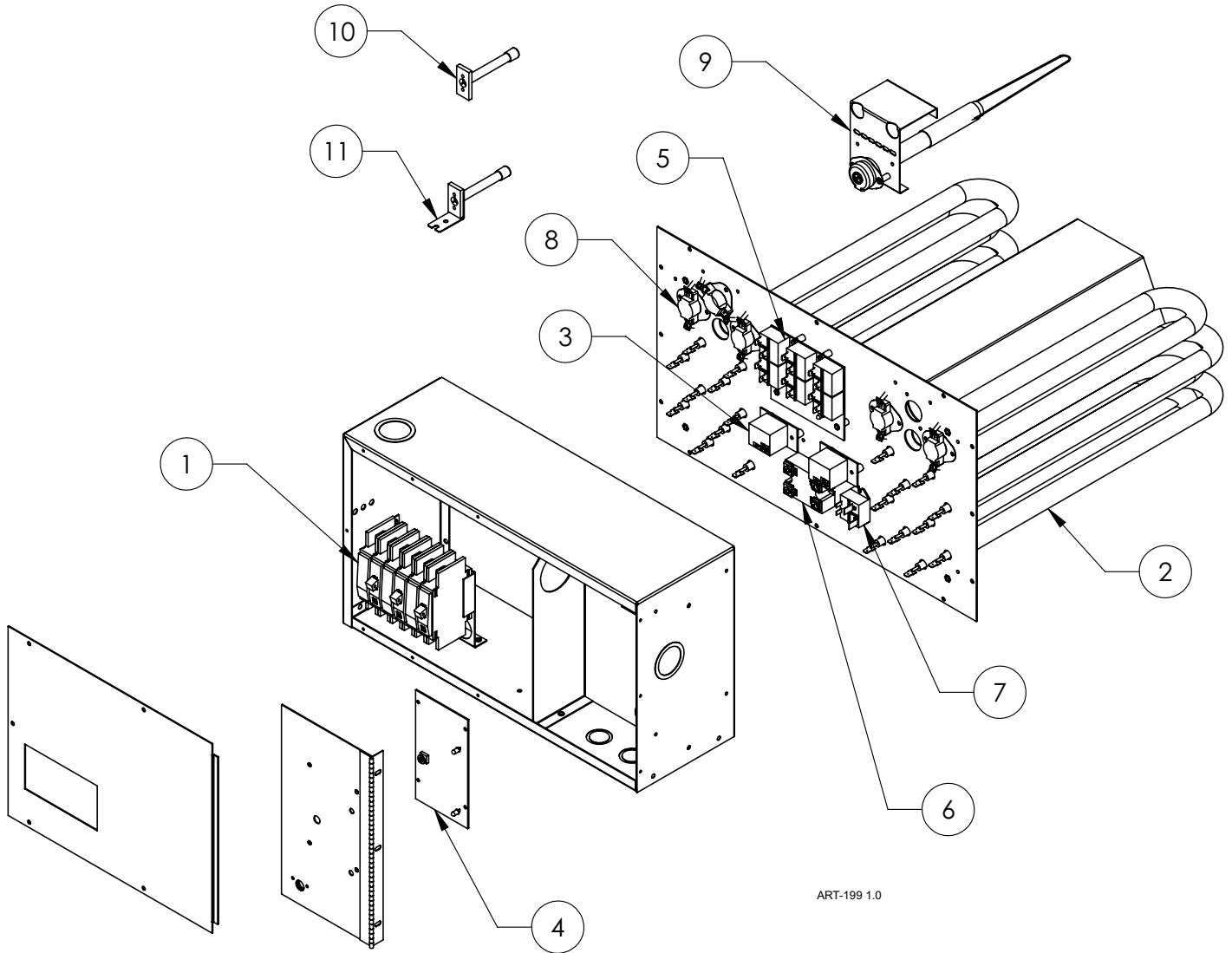
Common Parts for the EM-WU*** Series**

5	WF2EM	WarmFlo II Control Board
5a	UIC9266 R-080	Microchip v. 2.3* (Specify Code – EMA, EMU, HPDH, HPDF, HPEL) (For Plenum Heaters Manufactured after 7/2004)
5b	UIC9266 R-096	Microchip v. 2.2* (Specify Code – EMA, EMU, HPDH, HPDF, HPEL) (For Plenum Heaters Manufactured before 07/2004)
6	4037KIT	50-Amp Triac Kit
7	5127	25-Amp DC Relay
8	5633	118° Auto High Limit
9	EM5729	High Limit Probe
10	WFSSF	Duct Sensor (For Plenum Heaters Manufactured before 07/2004)
10	WFS5F	Duct Sensor (For Plenum Heaters Manufactured after 07/2004)
11	WFSOF	Outdoor Sensor (For Plenum Heaters Manufactured before 07/2004)
11	WFS25F	Outdoor Sensor (For Plenum Heaters Manufactured after 07/2004)
12	UFUSE0440	2-Amp Fast Blow Fuse (<i>Not Shown</i>)

Interfaces

13	WF-LGR4	Heat Pump Thermostat Interface
13a	WF6708LGR4	Control Board for WF-LGR4
14	WF-LGR3	Heat Pump Thermostat Interface (<i>Discontinued</i>)
14a	WF6704LGR3	Control Board for WF-LGR3
15	WF-EZ3	Heat Pump 4-wire Thermostat Interface
15a	WF6704EZ3	Control Board for WF-EZ3
16	WF-HP2	Two Speed Heat Pump Interface
16a	HP26706	Control Board for WF-HP2
17	WF-HE	Evolution™ and Infinity™ WarmFlo Interface
18	WF-EM3	Non-Heat Pump Interface
18a	WF6704EM3	Control Board for WF-EM3

Electro-Mate® WarmFlo II® EM-WD***** Series



(SEE NEXT PAGE FOR PARTS LIST)

Electro-Mate® WarmFlo II®

EM-WD***** Series

Replacement Part #	Description	
--------------------	-------------	--

EM-WD10255 EM-WD10258		
1	5640	GE 60-Amp Circuit Breaker
1	5652	Square D 60-Amp Circuit Breaker
2	EM5620	2.5 kW SpinFin Element

EM-WD14358		
1	5670	GE 50-Amp 3 Phase Circuit Breaker
1	5655	Square D 50-Amp 3 Phase Circuit Breaker
2	5622	2.5 kW Element - 208 3-Phase

EM-WD15355 EM-WD15358		
1	5639	GE 30-Amp Circuit Breaker
1	5640	GE 60-Amp Circuit Breaker
1	5650	Square D 30-Amp Circuit Breaker
1	5652	Square D 60-Amp Circuit Breaker
2	EM5620	2.5 kW SpinFin Element

EM-WD20455 EM-WD20458		
1	5640	GE 60-Amp Circuit Breaker
1	5652	Square D 60-Amp Circuit Breaker
2	EM5620	2.5 kW SpinFin Element

EM-WD22478		
1	5671	GE 80-Amp 3 Phase Circuit Breaker
1	5657	Square D 80-Amp 3 Phase Circuit Breaker
2	5622	2.5 kW Element - 208 3-Phase
3	EMR1B8102B	Upperstage Relay Board

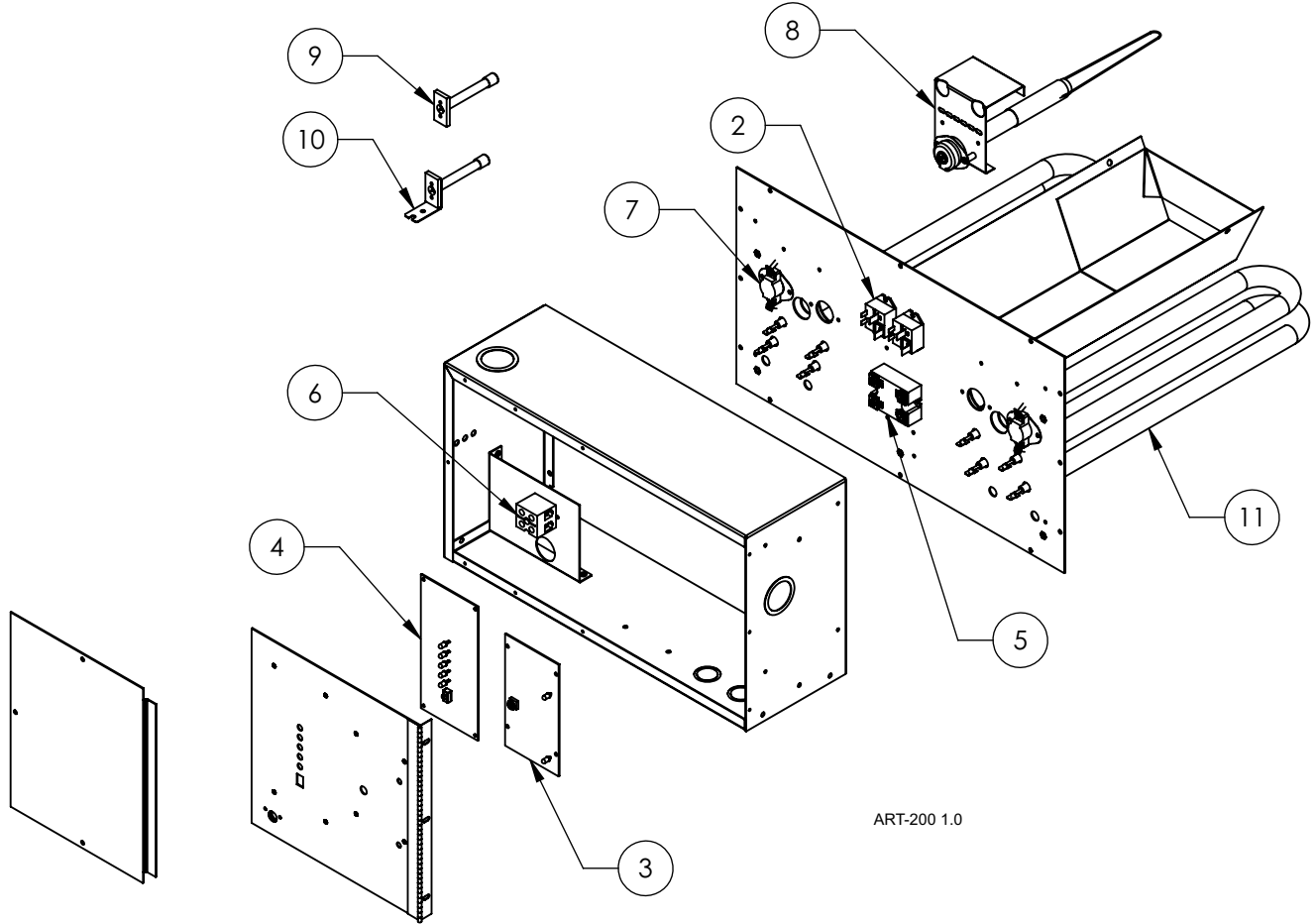
EM-WD25458		
1	5639	GE 30-Amp Circuit Breaker
1	5640	GE 60-Amp Circuit Breaker
1	5650	Square D 30-Amp Circuit Breaker
1	5652	Square D 60-Amp Circuit Breaker
2	EM5620	2.5 kW SpinFin Element
3	EMR1B8102B	Upperstage Relay Board

Replacement Part #	Description	
--------------------	-------------	--

Common Parts for the EM-WD***** Series		
4	WF2EM	WarmFlo II Control Board
4a	UIC9266 R-080	Microchip v. 2.3* (Specify Code – EMA, EMU, HPDH, HPDF, HPEL) (For Plenum Heaters Manufactured after 7/2004)
4b	UIC9266 R-096	Microchip v. 2.2* (Specify Code – EMA, EMU, HPDH, HPDF, HPEL) (For Plenum Heaters Manufactured before 07/2004)
5	WFRFT5616	Relay Board
6	4037KIT	50-Amp Triac Kit
7	5127	25-Amp DC Relay
8	5633	118° Auto High Limit
9	EM5729	High Limit Probe
10	WFSSF	Duct Sensor (For Plenum Heaters Manufactured before 07/2004)
10	WFS5F	Duct Sensor (For Plenum Heaters Manufactured after 07/2004)
11	WFSOF	Outdoor Sensor (For Plenum Heaters Manufactured before 07/2004)
11	WFS25F	Outdoor Sensor (For Plenum Heaters Manufactured after 07/2004)
12	UFUSE0440	2-Amp Fast Blow Fuse (<i>Not Shown</i>)

Interfaces		
13	WF-LGR4	Heat Pump Thermostat Interface
13a	WF6708LGR4	Control Board for WF-LGR4
14	WF-LGR3	Heat Pump Thermostat Interface (<i>Discontinued</i>)
14a	WF6704LGR3	Control Board for WF-LGR3
15	WF-EZ3	Heat Pump 4-wire Thermostat Interface
15a	WF6704EZ3	Control Board for WF-EZ3
16	WF-HP2	Two Speed Heat Pump Interface
16b	HP26706	Control Board for WF-HP2
17	WF-HE	Evolution™ and Infinity™ WarmFlo Interface
18	WF-EM3	Non-Heat Pump Interface
18a	WF6704EM3	Control Board for WF-EM3

Electro-Mate® WarmFlo II® EM-WU***H* Series

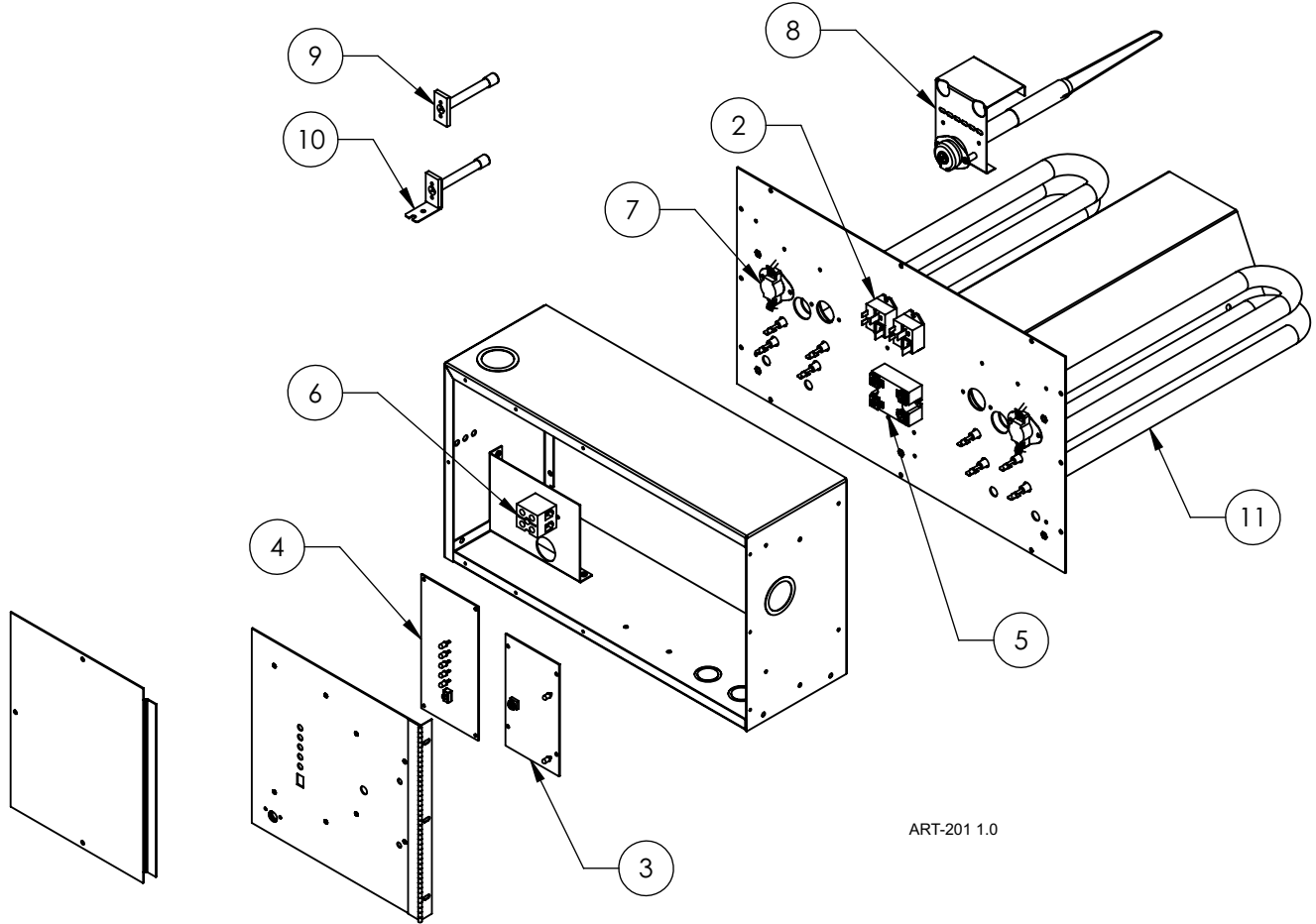


ART-200 1.0

Replacement Part #	Description	
EM-WU051H5 EM-WU051H8		
1	WFCBW5693	Relay Wiring Harness (<i>Not Shown</i>)
EM-WU102H5 EM-WU102H8		
1	WFCBW5694	Relay Wiring Harness (<i>Not Shown</i>)
2	5127	25-Amp DC Relay

Replacement Part #	Description	
Common Parts for the EM-WU***H* Series		
3	WF2EM	WarmFlo II Control Board
3a	UIC9266 R-080	Microchip v. 2.3* (Specify Code – EMA, EMU, HPDH, HPDF, HPEL) (For Plenum Heaters Manufactured after 7/2004)
3b	UIC9266 R-096	Microchip v. 2.2* (Specify Code – EMA, EMU, HPDH, HPDF, HPEL) (For Plenum Heaters Manufactured before 07/2004)
4	WF6704EZ3	Control Board for Interface
5	4038KIT	50-Amp Triac Kit
6	6636	Terminal block
7	5633	118° Auto High Limit
8	EM5729	High Limit Probe
9	WFSSF	Duct Sensor (For Plenum Heaters Manufactured before 07/2004)
9	WFS5F	Duct Sensor (For Plenum Heaters Manufactured after 07/2004)
10	WFSOF	Outdoor Sensor (For Plenum Heaters Manufactured before 07/2004)
10	WFS25F	Outdoor Sensor (For Plenum Heaters Manufactured after 07/2004)
11	EM5620	2.5 kW SpinFin Element
12	WFCBW5602	Heater to Interface Module Wiring Harness (<i>Not Shown</i>)
13	UFUSE0440	2-Amp Fast Blow Fuse (<i>Not Shown</i>)

Electro-Mate® WarmFlo II® EM-WD***H* Series

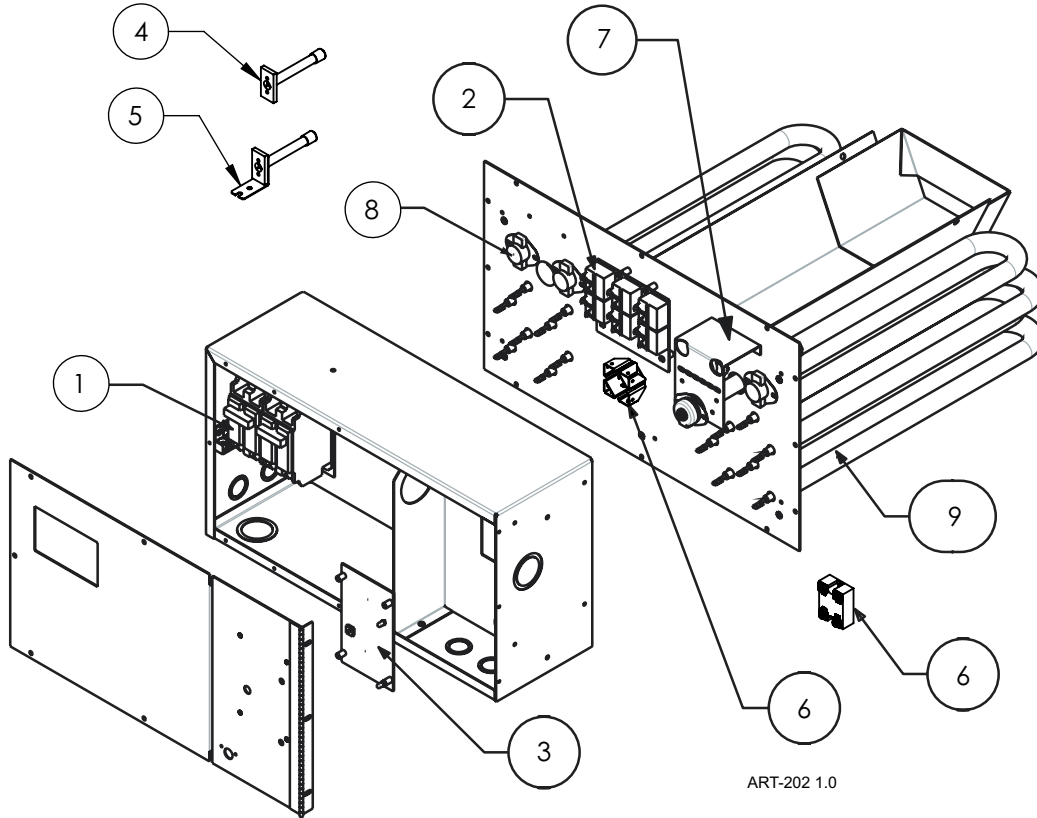


ART-201 1.0

Replacement Part #	Description	
EM-WD051H5 EM-WD051H8		
1	WFCBW5693	Relay Wiring Harness (<i>Not Shown</i>)
EM-WD102H5 EM-WD102H8		
1	WFCBW5694	Relay Wiring Harness (<i>Not Shown</i>)
2	5127	25-Amp DC Relay

Replacement Part #	Description	
Common Parts for the EM-WD***H* Series		
3	WF2EM	WarmFlo II Control Board
3a	UIC9266 R-080	Microchip v. 2.3* (Specify Code – EMA, EMU, HPDH, HPDF, HPEL) (For Plenum Heaters Manufactured after 7/2004)
3b	UIC9266 R-096	Microchip v. 2.2* (Specify Code – EMA, EMU, HPDH, HPDF, HPEL) (For Plenum Heaters Manufactured before 07/2004)
4	WF6704EZ3	Control Board for Interface
5	4038KIT	50-Amp Triac Kit
6	6636	Terminal block
7	5633	118° Auto High Limit
8	EM5729	High Limit Probe
9	WFSSF	Duct Sensor (For Plenum Heaters Manufactured before 07/2004)
9	WFS5F	Duct Sensor (For Plenum Heaters Manufactured after 07/2004)
10	WFSOF	Outdoor Sensor (For Plenum Heaters Manufactured before 07/2004)
10	WFS25F	Outdoor Sensor (For Plenum Heaters Manufactured after 07/2004)
11	EM5620	2.5 kW SpinFin Element
12	WFCBW5602	Heater to Interface Module Wiring Harness (<i>Not Shown</i>)
13	UFUSE0440	2-Amp Fast Blow Fuse (<i>Not Shown</i>)

Electro-Mate® WarmFlo® EM-WV***** Series



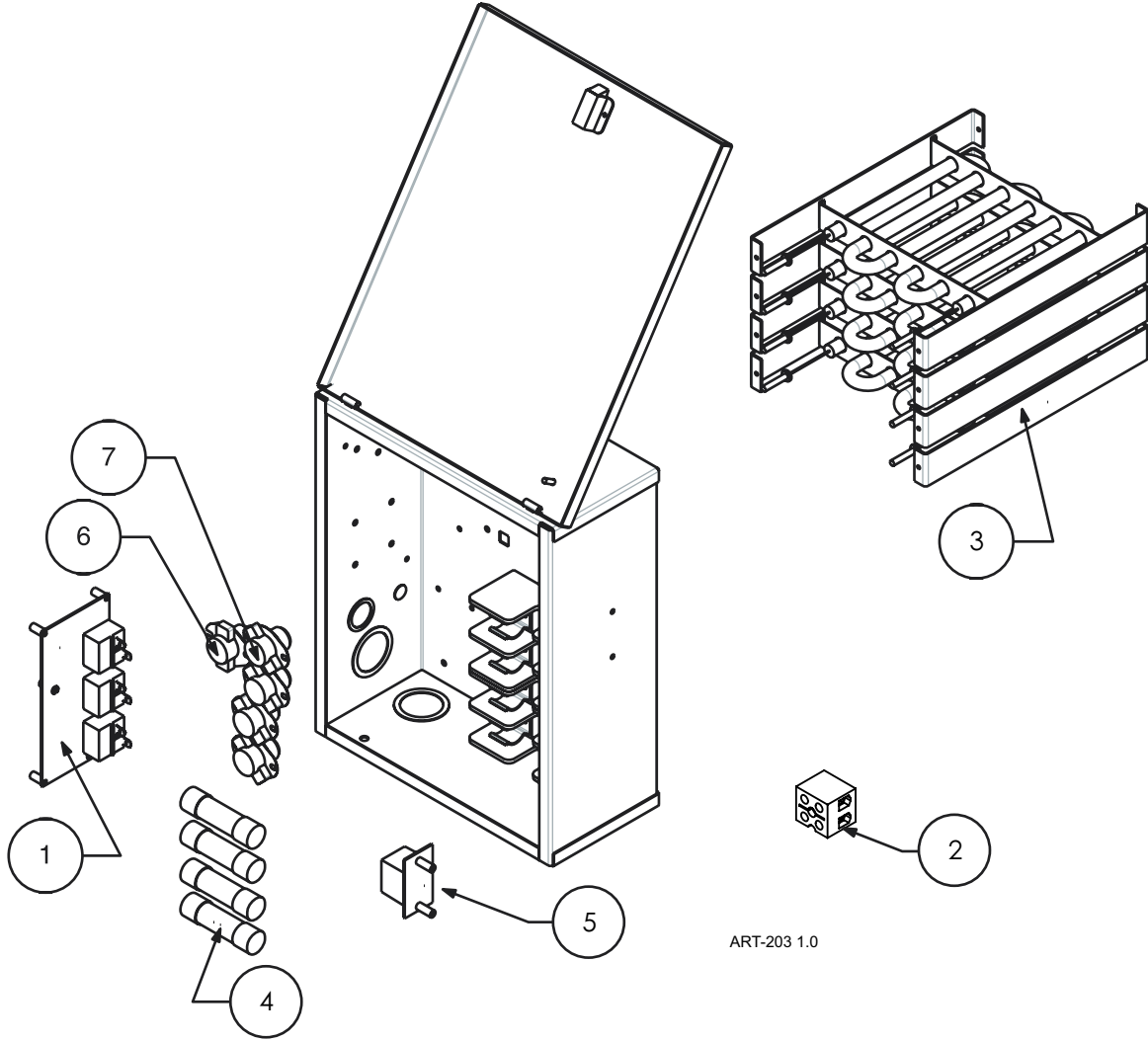
ART-202 1.0

Replacement Part #		Description
EM-WV15355 / EM-WV15358		
1	5639	GE 30-Amp Circuit Breaker
1	5640	GE 60-Amp Circuit Breaker
EM-WV20355 / EM-WV20358		
1	5640	GE 60-Amp Circuit Breaker

Replacement Part #		Description
Common Parts for the EM-WV***** Series		
2	WFRFT5616	Relay Board
3	WF2WE	WarmFlo II Control Board
3a	UIC9266 R-096	Microchip v. 2.2* (Specify Code – EMA, EMU, HPDH, HPDF, HPEL) (For Plenum Heaters Manufactured before 07/2004)
4	WFSSF	Duct Sensor
5	WFSOF	Outdoor Sensor
6	WF4037 (4036)	4036 Replacement Kit (30-Amp Triac)
7	EM5729	High Limit Probe
8	5633	118° Auto High Limit
9	EM5620	2.5 kW SpinFin Element

Basic Element Duct Heater

EM-DI***** Series



ART-203 1.0

Replacement Part #	Description
--------------------	-------------

<i>EM-DI1025C / EM-DI1025L</i>	
1	EMD2I6600 Control Board 2-Stage
2	6636 Terminal Block
3	6617 4.8 kW Element 240V – 16"

<i>EM-DI1025H</i>	
1	EMD2I6600 Control Board 2-Stage
2	6636 Terminal Block
3	6615 4.8 kW Element 240V – 10"

<i>EM-DI1535C / EM-DI1535L</i>	
1	EMD3I6600 Control Board 3-Stage
3	6617 4.8 kW Element 240V – 16"
4	UFUSE6640 50-Amp Fuse
4	UFUSE5141 30-Amp Fuse

<i>EM-DI1535H</i>	
1	EMD3I6600 Control Board 3-Stage
3	6615 4.8 kW Element 240V – 10"
4	UFUSE6640 50-Amp Fuse
4	UFUSE5141 30-Amp Fuse

Replacement Part #	Description
--------------------	-------------

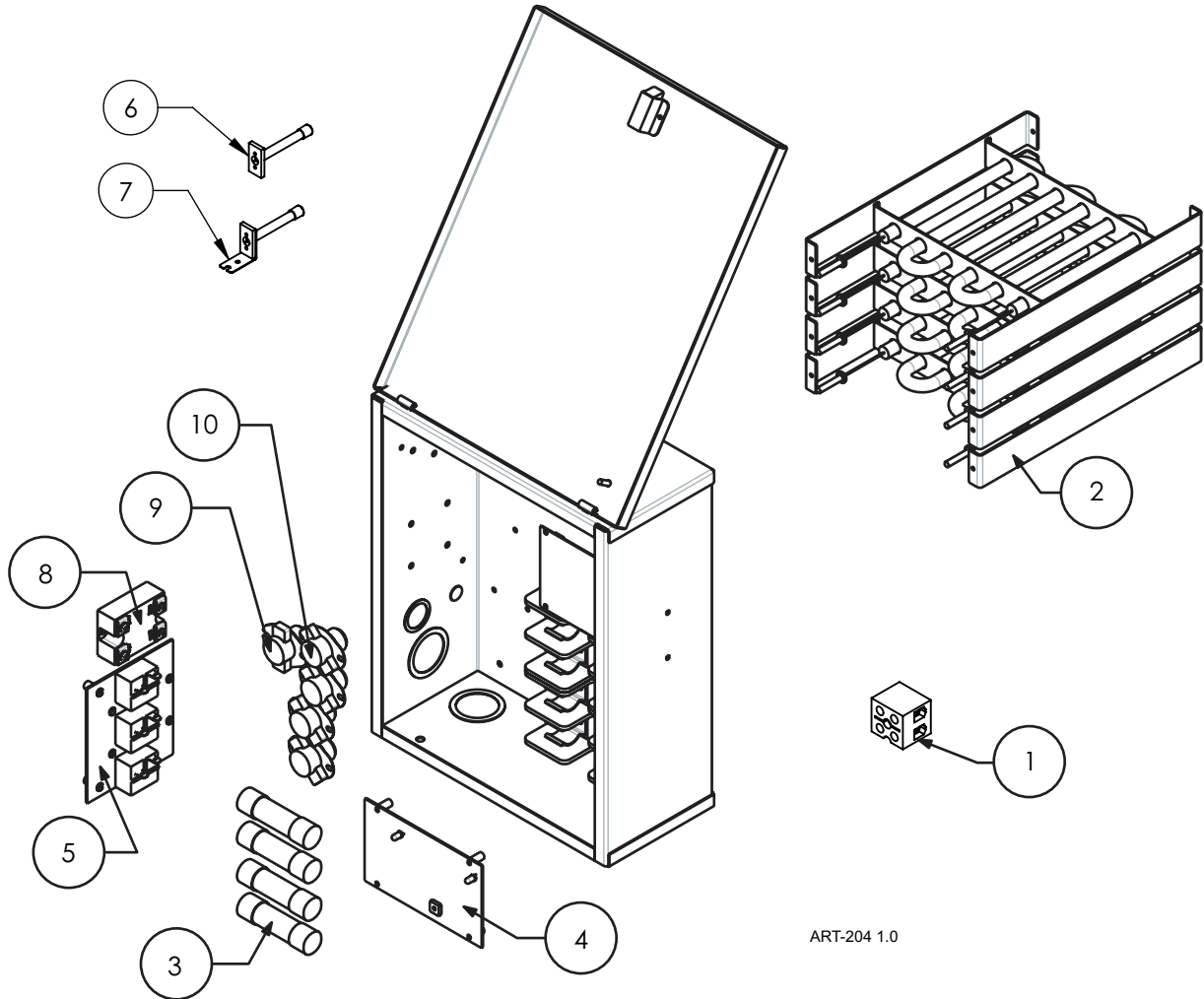
<i>EM-DI2035C / EM-DI2035L</i>	
1	EMD3I6600 Control Board 3-Stage
3	6617 4.8 kW Element 240V – 16"
4	UFUSE6640 50-Amp Fuse
5	EMR1B8102B Relay Board (20 kW only)

<i>EM-DI2035H</i>	
1	EMD3I6600 Control Board 3-Stage
3	6615 4.8 kW Element 240V – 10"
4	UFUSE6640 50-Amp Fuse
5	EMR1B8102B Relay Board (20 kW only)

<i>Common Parts for the EM-DI*****</i>	
6	5636 135° High Limit
7	6630 150° High Limit

WarmFlo® Controlled Duct Heater

EM-WE***** Series



ART-204 1.0

Replacement Part #	Description
--------------------	-------------

<i>EM-WE1025C / EM-WE1025L</i>	
1	6636 Terminal Block
2	6617 4.8 kW Element – 16"

<i>EM-WE1025H</i>	
1	6636 Terminal Block
2	6615 4.8 kW Element – 10"

<i>EM-WE1535C / EM-WE1535L</i>	
2	6617 4.8 kW Element – 16"
3	UFUSE6640 50-Amp Fuse
3	UFUSE5141 30-Amp Fuse

<i>EM-WE1535H</i>	
2	6615 4.8 kW Element – 10"
3	UFUSE6640 50-Amp Fuse
3	UFUSE5141 30-Amp Fuse

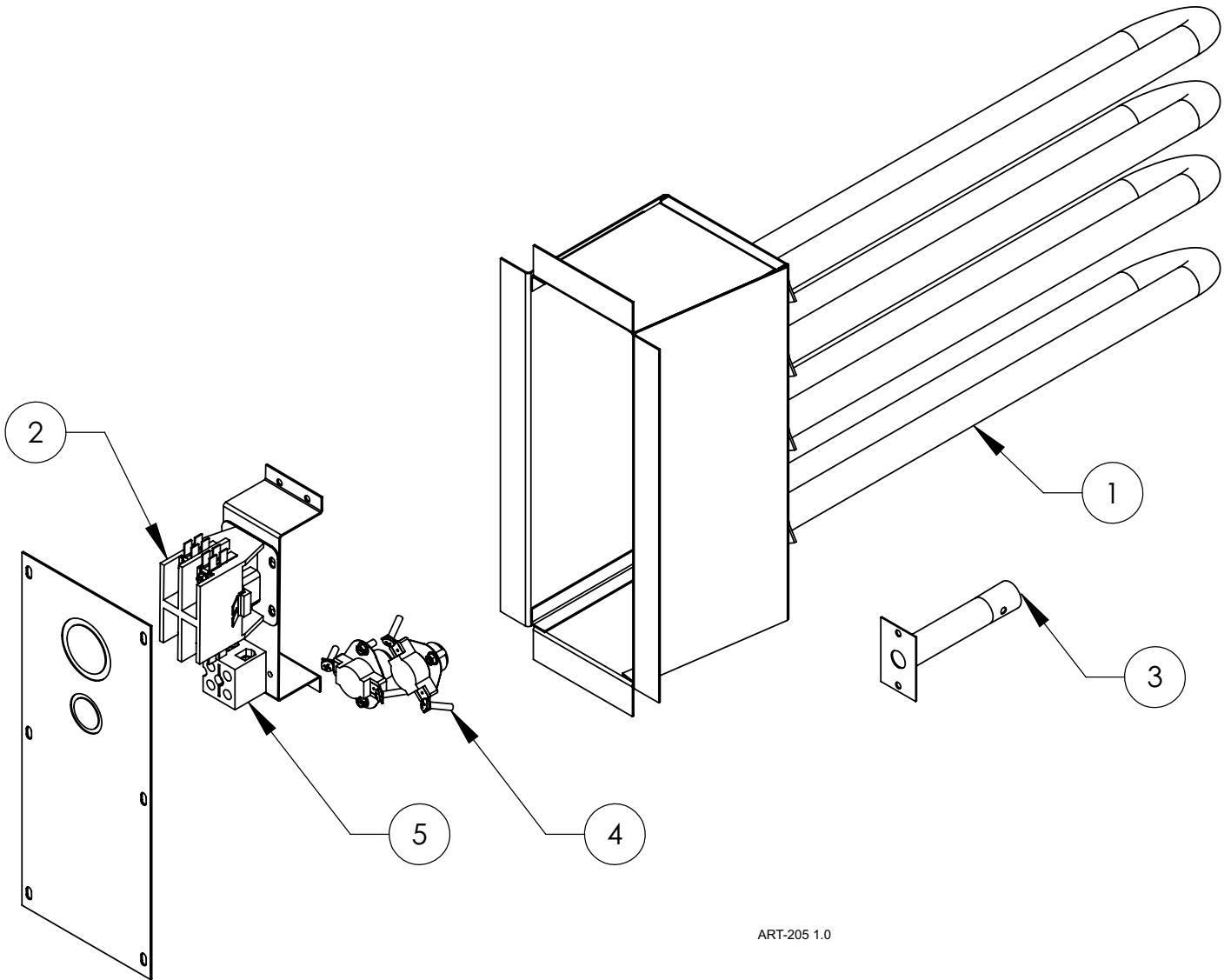
<i>EM-WE2035C / EM-WE2035L</i>	
2	6617 4.8 kW Element – 16"
3	UFUSE6640 50-Amp Fuse

Replacement Part #	Description
--------------------	-------------

<i>EM-WE2035H</i>	
2	6615 4.8 kW Element – 10"
3	UFUSE6640 50-Amp Fuse

<i>Common Parts for the EM-WE*****</i>		
4	WF2WE	WarmFlo II Control Board
4a	UIC9266 R-080	Microchip v. 2.3* (Specify Code - B, C, D, E, H) (For Heaters Manufactured After 7/2004)
4b	UIC9266 R-096	Microchip v. 2.2* (Specify Code - B, C, D, E, H) (For Heaters Manufactured Before 7/2004)
5	WFR3T5616	Relay Board
6	WFS5F	Duct Sensor (For Heaters Manufactured After 7/2004)
6	WFS5F	Duct Sensor (For Heaters Manufactured Before 7/2004)
7	WFS25F	Outdoor Sensor (For Heaters Manufactured After 7/2004)
7	WFSOF	Outdoor Sensor (For Heaters Manufactured Before 7/2004)
8	4037KIT	50-Amp Triac
9	5636	135° High Limit
10	6630	150° High Limit

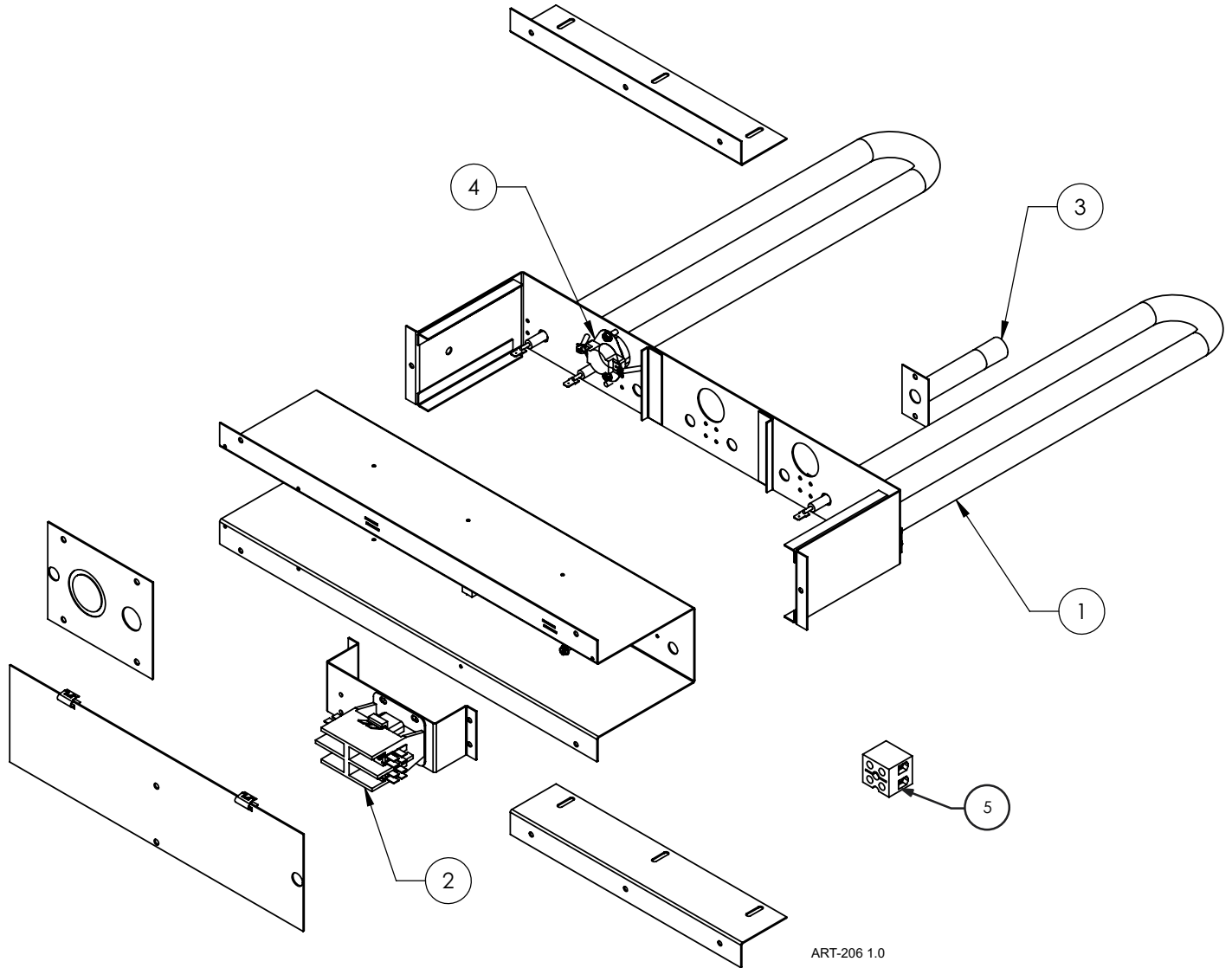
Custom Duct Heater EM-II05154 and EM-II10114



ART-205 1.0

Replacement Part #	Description	
EM-II05154 EM-II10114		
1	EM5620	2.5 kW SpinFin Element
2	5126	30-Amp Two Pole Contactor Relay
3	5629H	170° High Limit Probe Sensor
4	5633	118° Auto High Limit
5	6636	Terminal Block

Custom Duct Heater EM-II05158 and EM-II10118



ART-206 1.0

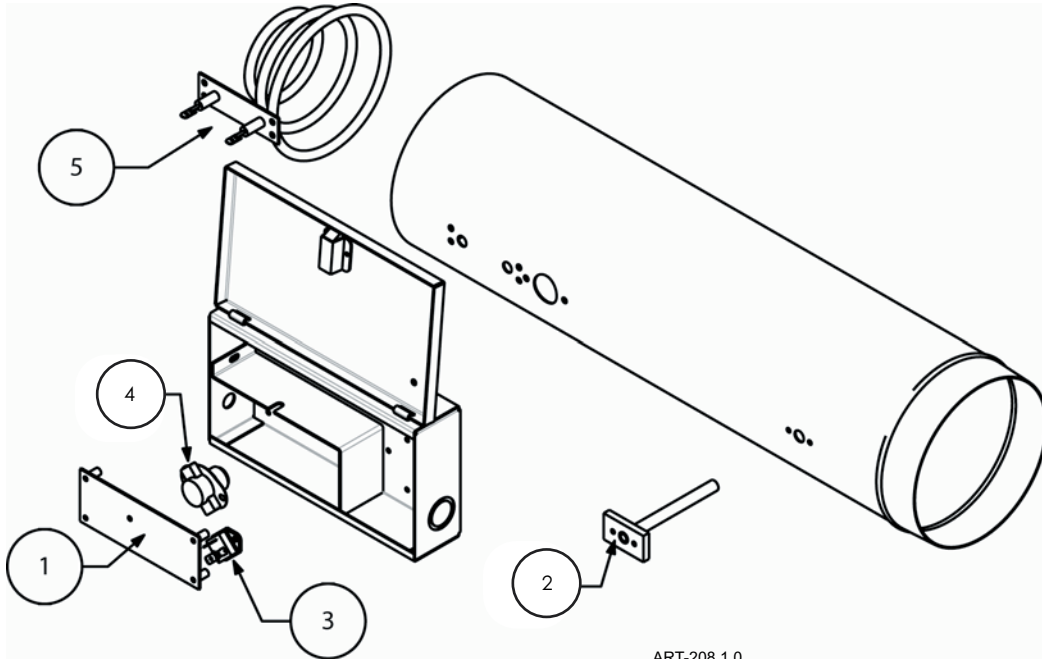
Replacement Part #		Description
EM-II05158 EM-II10118		
1	EM5620	2.5 kW SpinFin Element
2	5126	30-Amp Two Pole Contactor Relay
3	5629H	170° High Limit Probe Sensor
4	5633	118° Auto High Limit
5	6636	Terminal Block

Custom Duct Heater

EM-II0515R and EM-II1011R

Replacement Part #		Description
<i>EM-II0515R / EM-II1011R</i>		
1	EM5621	2.5 kW Round Element
2	5126	30-Amp Two Pole Contactor Relay
3	5629H	170° High Limit Probe Sensor
4	5633	118° Auto High Limit
5	6636	Terminal Block

WarmFlo® Make-Up Air Heater EM-WX0111R

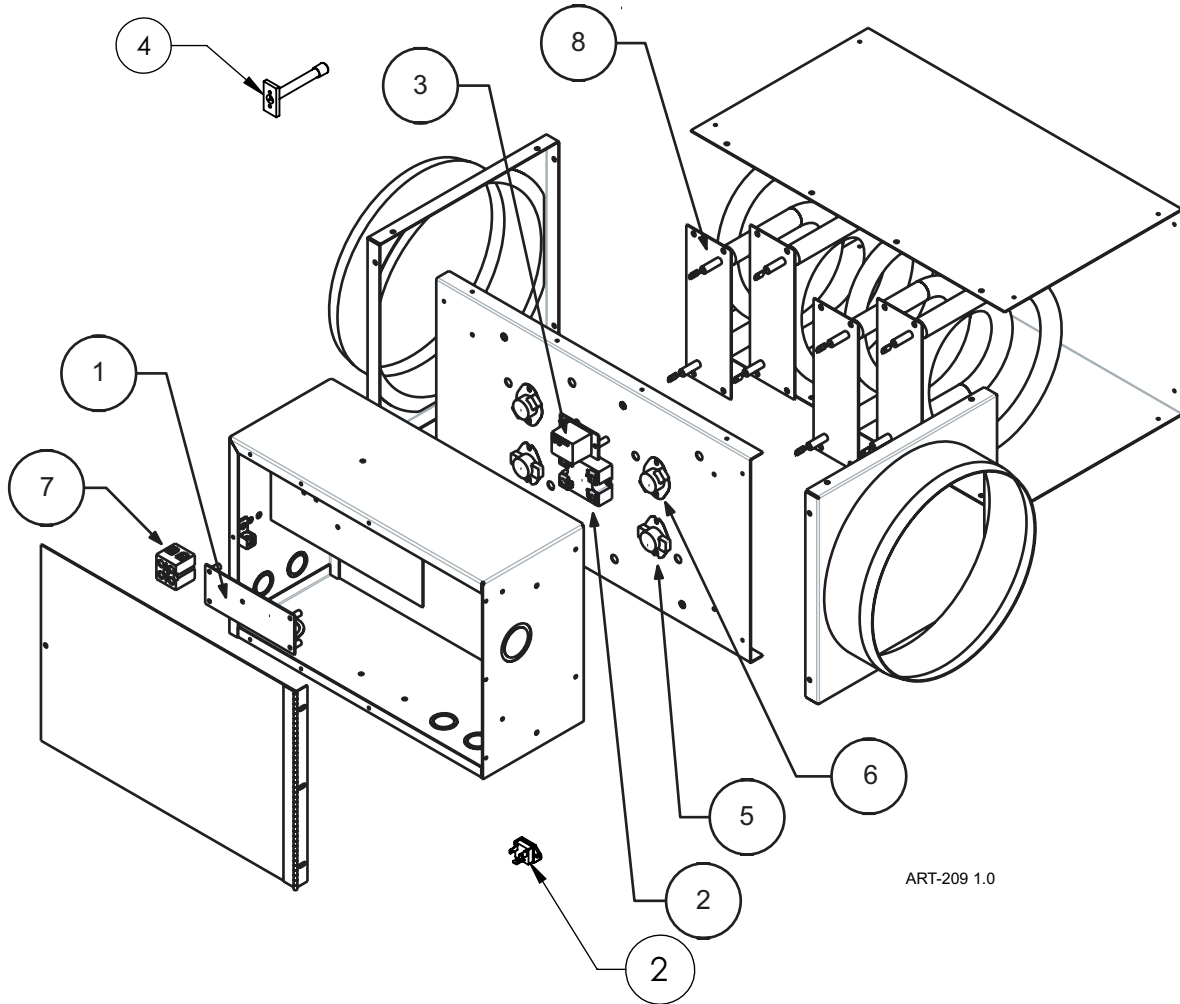


ART-208 1.0

Replacement Part #	Description
EM-WX0111R	
1	@WFCDB5614A Control Board
1a	UIC9769 R-092 Microchip v.11.3* (Specify Code – B, C, D, E, H) (For Heaters Manufactured After 7/2004)
1b	UIC9267 R-098 Microchip v. 1.2* (Specify Code – B, C, D, E, H) (For Heaters Manufactured Before 7/2004)
2	WFS3 Duct Sensor (For Heaters Manufactured After 7/2004)
2	@WFSST2FT Duct Sensor (For Heaters Manufactured Before 7/2004)
3	WF4036 30-Amp Triac Kit
4	6630 150° High Limit
5	6613 1 kW 120V Element
6	XGSK0100 Element Retaining Ring (<i>Not Shown</i>)
7	WCORD4035 Power Cord (<i>Not Shown</i>)

WarmFlo® Make-Up Air Heater

EM-WX***** Series



Replacement Part #	Description
--------------------	-------------

EM-WX0212R	
1	@WFCDB5614A 2.5 kW and 5kW Control Board
1a	UIC9769 R-092 Microchip v.11.3* (Specify Code – B, C, D, E, H) (For Heaters Manufactured After 7/2004)
1b	UIC9267 R-098 Microchip v. 1.2* (Specify Code – B, C, D, E, H) (For Heaters Manufactured Before 7/2004)
2	WF4036 30-Amp Triac Kit

EM-WX0515R	
1	@WFCDB5614A 2.5 kW and 5kW Control Board
1a	UIC9769 R-092 Microchip v.11.3* (Specify Code – B, C, D, E, H) (For Heaters Manufactured After 7/2004)
1b	UIC9267 R-098 Microchip v. 1.2* (Specify Code – B, C, D, E, H) (For Heaters Manufactured Before 7/2004)
2	4037KIT 50-Amp Triac Kit

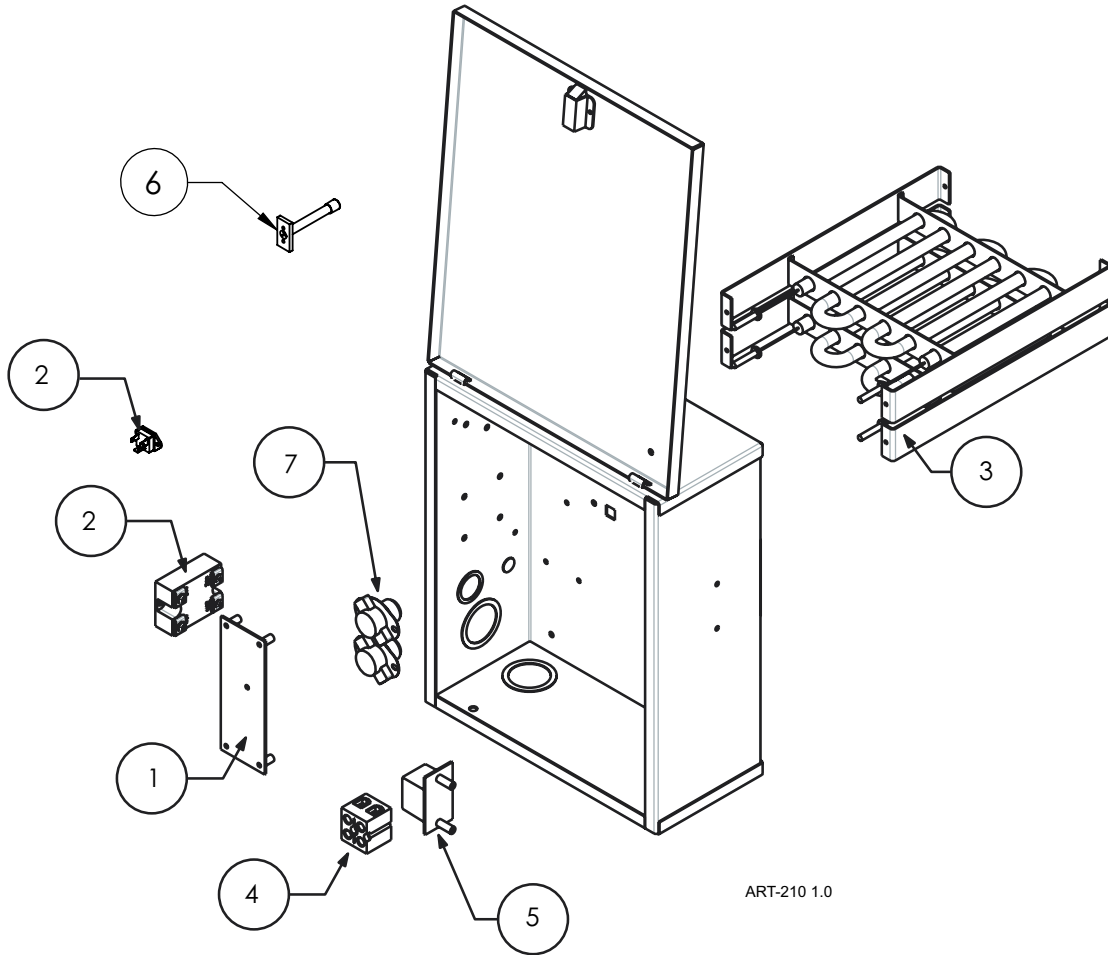
Replacement Part #	Description
--------------------	-------------

EM-WX1025R	
1	WFCD25614 10kW Control Board
1a	UIC9769 R-041 Microchip v.12.3** (Specify Code – B, C, D, E, H) (For Heaters Manufactured After 7/2004)
1b	UIC9267 R-099 Microchip v. 2.2* (Specify Code – B, C, D, E, H) (For Heaters Manufactured Before 7/2004)
2	4037KIT 50-Amp Triac Kit
3	EMR1B8102B Relay Board

Common Parts for the EM-WX*****		
4	WFS3	Duct Sensor (For Heaters Manufactured After 7/2004)
4	@WFSST2FT	Duct Sensor (For Heaters Manufactured Before 7/2004)
5	5636	135° High Limit
6	6630	150° High Limit
7	6636	Terminal Block
8	EM5621	2.5 kW Round Element

WarmFlo® Make-Up Air Heater

EM-WC***** Series



ART-210 1.0

Replacement Part #	Description
--------------------	-------------

EM-WC0313H	
1	@WFCDB5614A 2.5 kW and 5kW Control Board
1a	UIC9769 R-025 Microchip v.11.3* (Specify Code – B, C, D, E, H) (For Heaters Manufactured After 7/2004)
1b	UIC9267 R-097 Microchip v. 1.2* (Specify Code – B, C, D, E, H) (For Heaters Manufactured Before 7/2004)
2	WF4036 30-Amp Triac Kit
3	Element <i>The 2.5 kW element is longer available. For element replacement purchase part # 6615 4.8 kW Element and part # 4037KIT 50-Amp Triac Kit.</i>

EM-WC0515H	
1	@WFCDB5614A 2.5 kW and 5kW Control Board
1a	UIC9769 R-025 Microchip v.11.3* (Specify Code – B, C, D, E, H) (For Heaters Manufactured After 7/2004)
1b	UIC9267 R-097 Microchip v. 1.2* (Specify Code – B, C, D, E, H) (For Heaters Manufactured Before 7/2004)
2	4037KIT 50-Amp Triac Kit
3	6615 4.8 kW Element – 10"

EM-WC0515L	
1	@WFCDB5614A 2.5 kW and 5kW Control Board
1a	UIC9769 R-025 Microchip v.11.3* (Specify Code – B, C, D, E, H) (For Heaters Manufactured After 7/2004)
1b	UIC9267 R-097 Microchip v. 1.2* (Specify Code – B, C, D, E, H) (For Heaters Manufactured Before 7/2004)
2	4037KIT 50-Amp Triac Kit
3	6617 4.8 kW Element – 16"

Replacement Part #	Description
--------------------	-------------

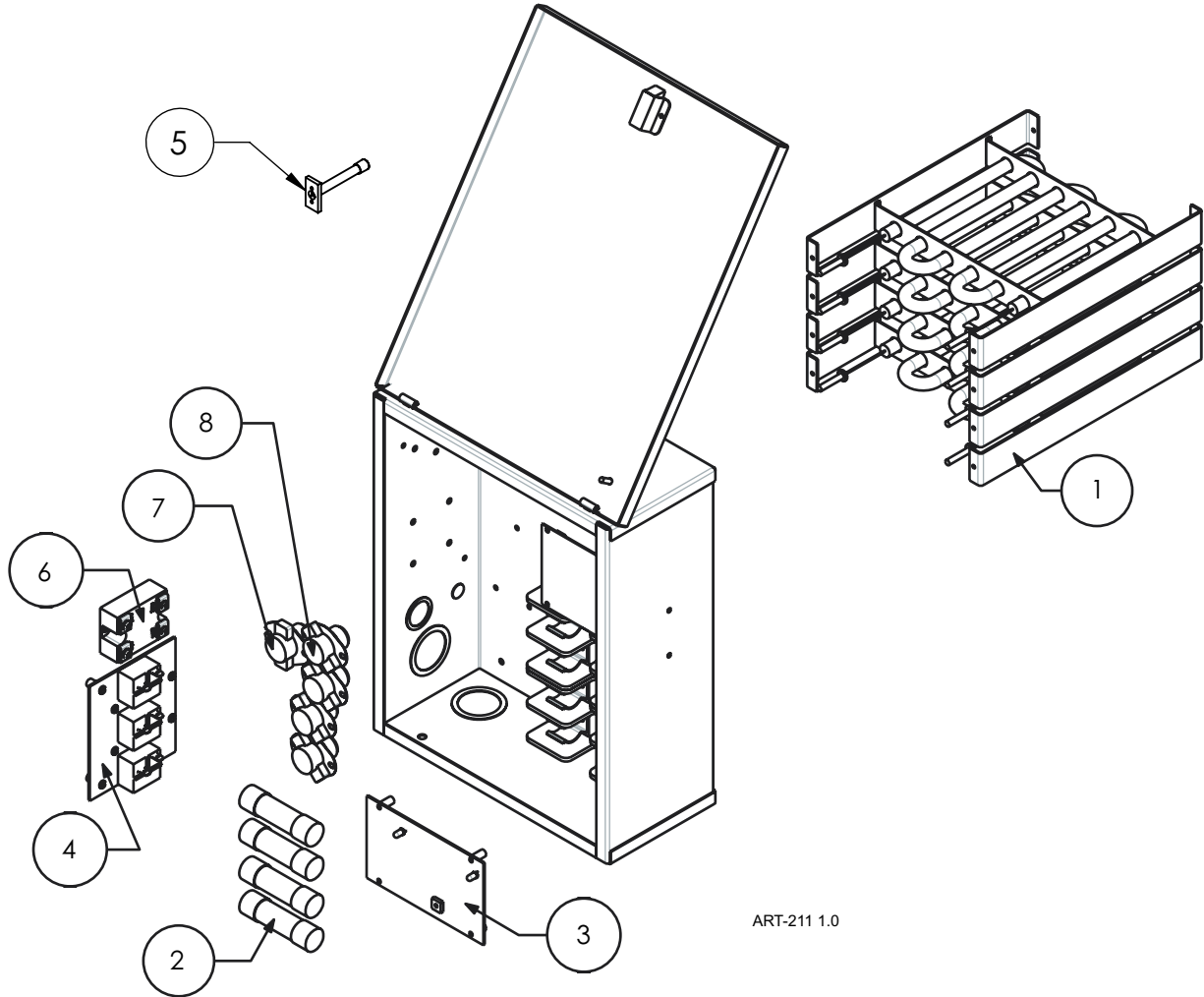
EM-WC1025H	
1	WFCD25614 10kW Control Board
1a	UIC9769 R-041 Microchip v.12.3** (Specify Code – B, C, D, E, H) (For Heaters Manufactured After 7/2004)
1b	UIC9267 R-099 Microchip v. 2.2* (Specify Code – B, C, D, E, H) (For Heaters Manufactured Before 7/2004)
2	4037KIT 50-Amp Triac Kit
3	6615 4.8 kW Element – 10"
4	6636 Terminal Block
5	EMR1B8102B Relay Board

EM-WC1025L	
1	WFCD25614 10kW Control Board
1a	UIC9769 R-041 Microchip v.12.3** (Specify Code – B, C, D, E, H) (For Heaters Manufactured After 7/2004)
1b	UIC9267 R-099 Microchip v. 2.2* (Specify Code – B, C, D, E, H) (For Heaters Manufactured Before 7/2004)
2	4037KIT 50-Amp Triac Kit
3	6617 4.8 kW Element – 16"
4	6636 Terminal Block
5	EMR1B8102B Relay Board

Common Parts for the EM-WC*****		
6	WFS5	Duct Sensor (For Heaters Manufactured After 7/2004)
6	@WFSST10FT	Duct Sensor (For Heaters Manufactured Before 7/2004)
7	6630	150° High Limit

WarmFlo® Make-Up Air Heater

EM-WM***** Series



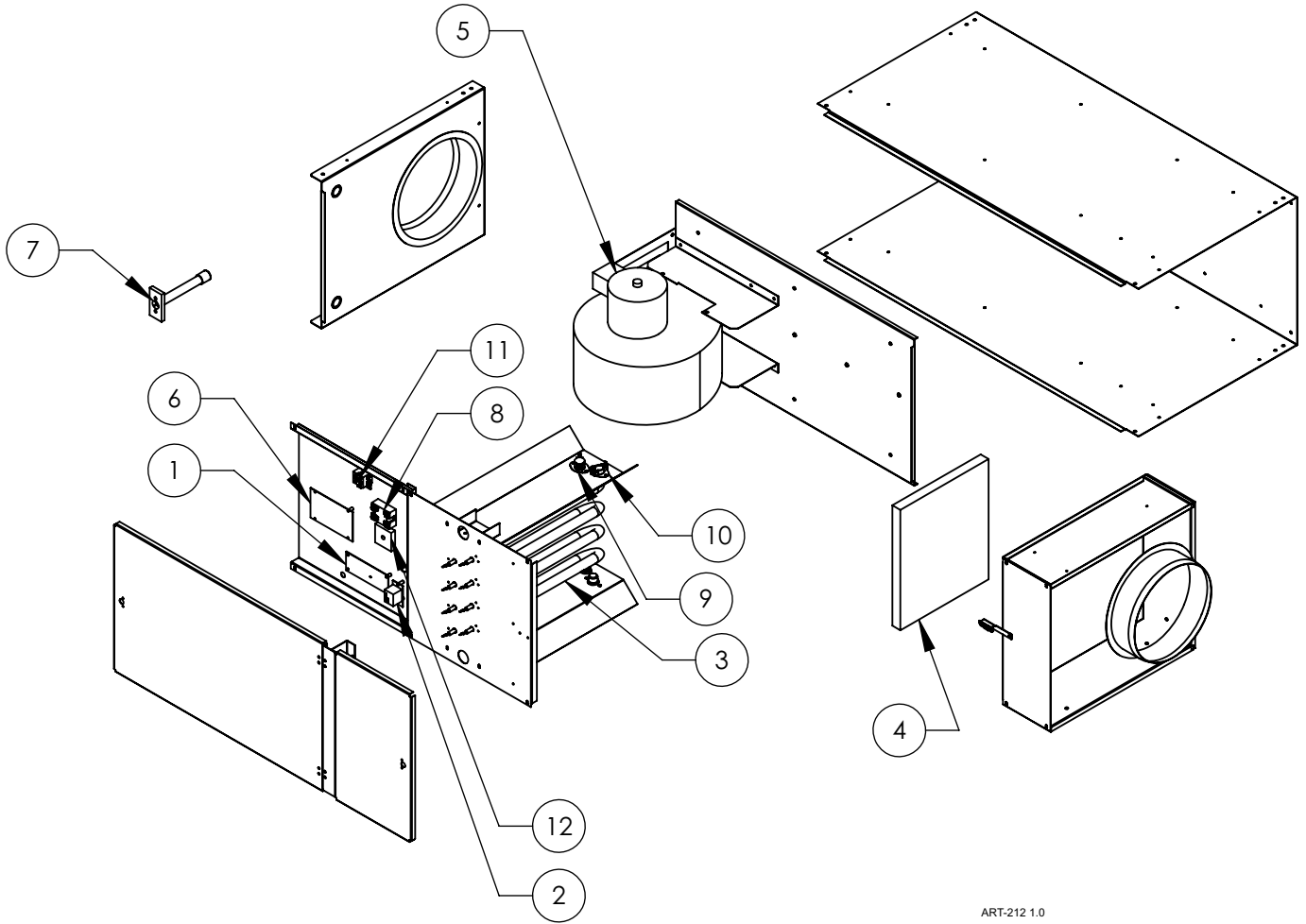
ART-211 1.0

Replacement Part #	Description
EM-WM1134H	
1	6615 4.8 kW Element – 10"
2	UFUSE5144 40-Amp Fuse
EM-WM1535L	
1	6617 4.8 kW Element – 16"
2	UFUSE6640 50-Amp Fuse
2	UFUSE5141 30-Amp Fuse
EM-WM1536L	
1	6612 5 kW Element 208V, 3-Phase
2	UFUSE6640 50-Amp Fuse
EM-WM2035L	
1	6617 4.8 kW Element – 16"
2	UFUSE6640 50-Amp Fuse

Replacement Part #	Description
Common Parts for the EM-WM*****	
3	WF2WE WarmFlo II Control Board WE / WM
3a	UIC9266 R-051 Microchip v. 3.2* (Specify Code - B, C, D, E, H) (For Heaters Manufactured After 7/2004)
3b	UIC9266 R-100 Microchip v. 3.1* (Specify Code - B, C, D, E, H) (For Heaters Manufactured Before 7/2004)
4	WFR3T5616 Relay Board
5	WFS5F Duct Sensor (For Heaters Manufactured After 7/2004)
5	WFSSF Duct Sensor (For Heaters Manufactured Before 7/2004)
6	4037KIT 50-Amp Triac
7	5636 135° High Limit
8	6630 150° High Limit

WarmFlo® Make-Up Air Heater

EM-WH***** Series



ART-212 1.0

Replacement Part #	Description
--------------------	-------------

EM-WH0515J	
1	@WFCDB5614A 2.5 kW and 5kW Control Board
1a	UIC9769 R-025 Microchip v.11.3* (Specify Code – B, C, D, E, H) (For Heaters Manufactured After 7/2004)
1b	UIC9267 R-097 Microchip v. 1.2* (Specify Code – B, C, D, E, H) (For Heaters Manufactured Before 7/2004)
3	EM5621 2.5 kW Round Element
4	5712 13" x 11" Filter
5	5717 300 CFM Blower Motor

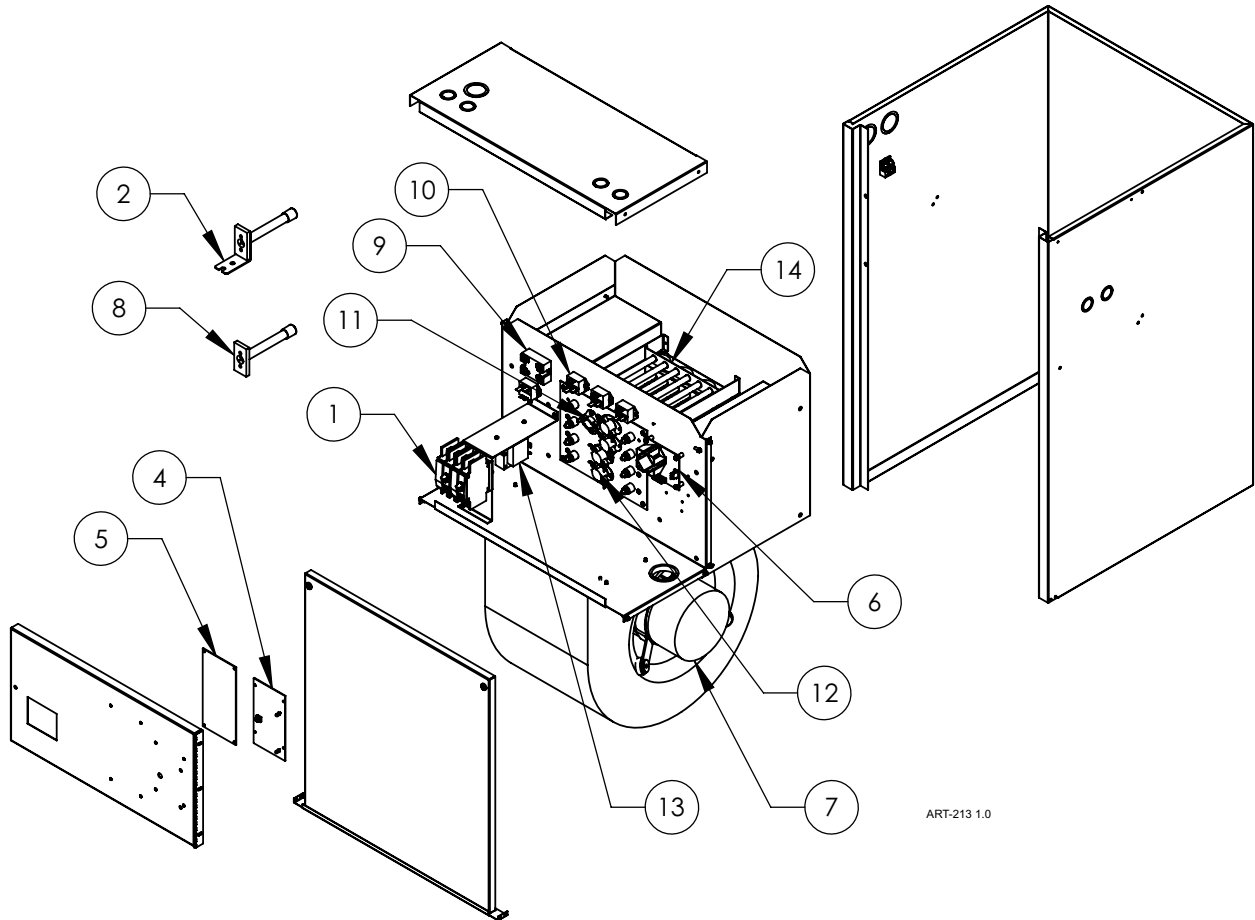
EM-WH1025K	
1	@WFCDB5614A 2.5 kW and 5kW Control Board
1a	UIC9769 R-041 Microchip v.12.3* (Specify Code – B, C, D, E, H) (For Heaters Manufactured After 7/2004)
1b	UIC9267 R-099 Microchip v. 2.2* (Specify Code – B, C, D, E, H) (For Heaters Manufactured Before 7/2004)
2	EMR1B8102B Relay Board
3	EM5620 2.5 kW SpinFin Element
4	5722 18" x 15.5" Filter
5	5719 700 CFM Blower Motor

Replacement Part #	Description
--------------------	-------------

Common Parts for the EM-WH*****	
6	@EMBRM5711 Relay / Transformer Board
7	WFS3 Duct Sensor (For Heaters Manufactured After 7/2004)
7	@WFSST2FT Duct Sensor (For Heaters Manufactured Before 7/2004)
8	4037KIT 50-Amp Triac Kit
9	5636 135° High Limit
10	6630 150° High Limit
11	6636 Terminal Block
12	9481 Phase Controller

WarmFlo® Air Handler/Electric Furnace

HE-*-**-21



ART-213 1.0

Replacement Part #	Description	
--------------------	-------------	--

HE-A-10-21

1	5652	Square D 60-Amp Circuit Breaker
3	HECBW5850	21" WarmFlo Relay Cable (<i>Not Shown</i>)
3	HECBW5856	AC/DC Relay Cable (<i>Not Shown</i>)

HE-A-15-21

1	5650	Square D 30-Amp Circuit Breaker
1	5652	Square D 60-Amp Circuit Breaker
3	HECBW5849	21" WarmFlo Relay Cable (<i>Not Shown</i>)
3	HECBW5855	AC/DC Relay Cable (<i>Not Shown</i>)

HE-A-20-21

1	5652	Square D 60-Amp Circuit Breaker
3	HECBW5846	21" WarmFlo Relay Cable (<i>Not Shown</i>)
3	HECBW5847	AC/DC Relay Cable (<i>Not Shown</i>)

HE-H-10-21

1	5652	Square D 60-Amp Circuit Breaker
2	WFS25F	Outdoor Sensor
3	HECBW5850	24" WarmFlo Relay Cable (<i>Not Shown</i>)
3	HECBW5856	AC/DC Relay Cable (<i>Not Shown</i>)

HE-H-15-21

1	5650	Square D 30-Amp Circuit Breaker
1	5652	Square D 60-Amp Circuit Breaker
2	WFS25F	Outdoor Sensor
3	HECBW5849	21" WarmFlo Relay Cable (<i>Not Shown</i>)
3	HECBW5855	AC/DC Relay Cable (<i>Not Shown</i>)

Replacement Part #	Description	
--------------------	-------------	--

HE-H-20-21

1	5652	Square D 60-Amp Circuit Breaker
2	WFS25F	Outdoor Sensor
3	HECBW5846	21" WarmFlo Relay Cable (<i>Not Shown</i>)
3	HECBW5847	AC/DC Relay Cable (<i>Not Shown</i>)

Common Parts for the HE-*-**-21

4	WF2EM	WarmFlo Control Board
4a	UIC9266 R-080	Microchip v. 2.3* (Specify Code – AH, AHS)
5	HEIBG6707	ECM Motor Control Board
6	WFPDC5632	AC/DC Power Supply Board
7	5850	½ HP ECM Motor
8	WFS5F	Supply Sensor
9	4038KIT	50-Amp Triac Kit
10	5127	25-Amp DC Relay
11	5636	135° High Limit
12	6630	150° High Limit
13	5541	40VA Transformer with Pigtails
14	6615	4.8 kW Element – 10"
15	HECBW5843	Motor Power Cable (<i>Not Shown</i>)
16	HECBW5844	Motor Control Cable (<i>Not Shown</i>)
17	HECBW5845	Interface Cable (<i>Not Shown</i>)



ELECTRO INDUSTRIES, INC.

2150 West River Street, PO Box 538, Monticello, MN 55362
763.295.4138 • 800.922.4138 • fax 763.295.4434
sales@electromn.com • www.electromn.com