

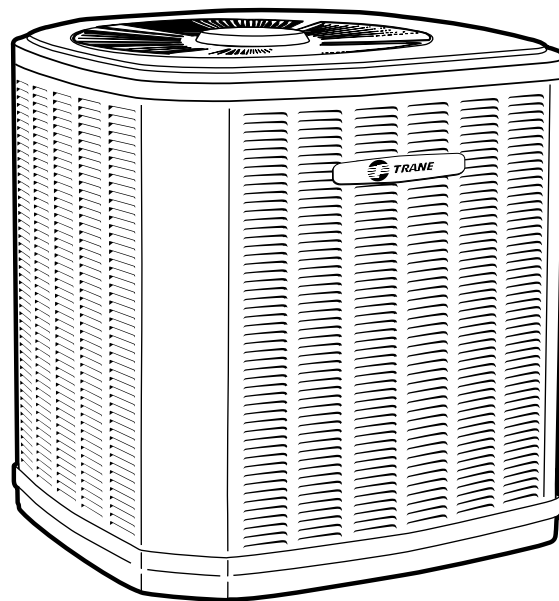


# Split System Heat Pump Product & Performance Data

---

**XR14**  
**4TWR4024-060**

**2 – 5 Tons**



---

**PUB. NO. 22-1765-01-0705 (EN)**



# Features and Benefits

---

- **Climatuff**<sup>®</sup> compressor
- Efficiency up to 14.0 SEER and 9.0 HSPF
- All aluminum **Spine Fin**<sup>™</sup> coil
- **DuraTuff**<sup>™</sup> base, fast complete drain, weatherproof
- **WeatherGuard**<sup>™</sup> fasteners
- Tarpaulin gray cabinet with anthracite gray badge and cap
- Low sound ratings
- Compressor sound insulator
- **Quick-Sess**<sup>™</sup> cabinet, service access and refrigerant connections with full coil protection
- Demand Defrost Control with Diagnostics
- Glossy corrosion resistant finish
- Internal high/low pressure & temperature protection
- High pressure switch
- 024 & 060 ship with start kit
- Liquid line filter-drier
- **Comfort "R"**<sup>™</sup> mode approved
- Easy single side service
- Multi-use liquid and suction line service valves
- Easy top & fan removal
- Full length control and service valve cover
- R-410A refrigerant
- Compressor sump heat
- **10 year limited warranty on compressor, coil, 5 years internal functional parts (Residential only)**
- **Extended warranties available**
- S.E.E.T. design testing
- 100% line run test
- Low ambient to 40°F with AY28X084, 30°F with TXV

# Contents

---

<b>Features and Benefits</b>	<b>2</b>
<b>General Data</b>	<b>4</b>
Product Specifications	4
A-weighted Sound Power Level [dB(A)]	4
Accessory Description and Usage	5
ARI Standard Capacity Rating Conditions	5
<b>Model Nomenclature</b>	<b>6</b>
<b>Performance Data Cooling</b>	<b>16</b>
4TWR4024A1	17
4TWR4030A1	18
4TWR4036A1	20
4TWR4042A1	23
4TWR4048A1	25
4TWR4060A1	27
<b>Performance Data Heating</b>	<b>28</b>
4TWR4024A1	29
4TWR4030A1	30
4TWR4036A1	32
4TWR4042A1	35
4TWR4048A1	37
4TWR4060A1	39
<b>Electrical Data</b>	<b>40</b>
<b>Dimensions</b>	<b>43</b>
<b>Mechanical Specification Options</b>	<b>44</b>



# General Data

## Product Specifications

Model No. ①	4TWR4024A1	4TWR4030A1	4TWR4036A1
Electrical Data V/Ph/Hz ②	200/230/1/60	208/230/1/60	208/230/1/60
Min Cir Ampacity	13	20	21
Max Fuse Size (Amps)	20	30	35
Compressor	CLIMATUFF®	CLIMATUFF® - SCROLL	CLIMATUFF® - SCROLL
RL Amps - LR Amps	9.4 - 63	14.7 - 73	15.4 - 83
Outdoor Fan FL Amps	0.90	1.40	1.40
Fan HP	1/8	1/6	1/6
Fan Dia (inches)	23	23	27.6
Coil	Spine Fin™	Spine Fin™	Spine Fin™
Refrigerant R-410A	6/10-LB/OZ	6/02-LB/OZ	7/01-LB/OZ
Line Size - (in.) O.D. Gas ③	5/8	3/4	3/4
Line Size - (in.) O.D. Liquid ③	5/16	5/16	3/8
Dimensions H x W x D (Crated)	46 x 30.1 x 33	46 x 30.1 x 33	42.4 x 35.1 x 38.7
Weight - Shipping	251	253	276
Weight - Net	221	224	241
Start Components	YES	NO	NO
Sound Enclosure	YES	YES	YES
Compressor Sump Heat	YES	YES	YES
<b>Optional Accessories: ④</b>			
Anti-short Cycle Timer	TAYASCT501A	TAYASCT501A	TAYASCT501A
Evaporator Defrost Control A/C	AY28X084	AY28X084	AY28X084
Rubber Isolator Kit	BAYISLT101	BAYISLT101	BAYISLT101
Snow Leg - Base & Cap 4" High	BAYLEGS002	BAYLEGS002	BAYLEGS002
Snow Leg - 4" Extension	BAYLEGS003	BAYLEGS003	BAYLEGS003
Hard Start Kit Scroll		BAYKSKT260	BAYKSKT260
Extreme Condition Mounting Kit	BAYECMT001	BAYECMT001	BAYECMT001
Refrigerant Lineset ⑤	TAYREFLN6*	TAYREFLN2*	TAYREFLN7*

① Certified in accordance with the Air-Source Unitary Heat Pump Equipment certification program which is based on ARI Standard 210/240.

② Calculated in accordance with N.E.C. Only use HACR circuit breakers or fuses.

③ Standard line lengths - 60'. Standard lift - 60' Suction and Liquid line.

For Greater lengths and lifts refer to refrigerant piping software Pub# 32-3312-01. (\*denotes latest revision)

④ For accessory description and usage, see page 5.

⑤ \* = 15, 20, 25, 30, 40 and 50 foot lineset available.

## A-weighted Sound Power Level [dB(A)]

MODEL	SOUND POWER LEVEL [dB(A)]	A-WEIGHTED FULL OCTAVE SOUND POWER LEVEL dB - [dB(A)]							
		63	125	250	500	1000	2000	4000	8000
4TWR4024A1	74	46.9	55.4	61.8	67.4	68.1	68.0	58.8	51.7
4TWR4030A1	74	49.3	52.3	62.1	67.8	66.7	63.4	55.4	49.3
4TWR4036A1	77	53.8	61.9	69.0	73.9	72.1	67.8	62.2	53.7
4TWR4042A1	77	46.9	61.6	67.7	72.5	73.7	70.7	60.3	48.4
4TWR4048A1	76	45.4	57.6	65.1	71.8	71.8	68.2	60.1	52.7
4TWR4060A1	79	50.8	60.3	74.1	74.6	73.5	68.6	62.9	52.7

Note: Tested in accordance with ARI Standard 270.95. (Not listed with ARI)

# General Data

## Product Specifications

Model No. ①	4TWR4042A1	4TWR4048A1	4TWR4060A1
Electrical Data V/Ph/Hz ②	208/230/1/60	208/230/1/60	208/230/1/60
Min Cir Ampacity	25	30	36
Max Fuse Size (Amps)	40	50	60
Compressor	CLIMATUFF® - SCROLL	CLIMATUFF® - SCROLL	CLIMATUFF® - SCROLL
RL Amps - LR Amps	19.2 - 104	23.1 - 134	27.6 - 158
Outdoor Fan FL Amps	1.40	1.40	1.40
Fan HP	1/6	1/6	1/6
Fan Dia (inches)	27.6	27.6	27.6
Coil	Spine Fin™	Spine Fin™	Spine Fin™
Refrigerant R-410A	7/04-LB/OZ	9/11-LB/OZ	11/02-LB/OZ
Line Size - (in.) O.D. Gas ③	3/4	7/8	7/8
Line Size - (in.) O.D. Liquid ③	3/8	3/8	3/8
Dimensions H x W x D (Crated)	46.4 x 35.1 x 38.7	46.4 x 35.1 x 38.7	46.4 x 35.1 x 38.7
Weight - Shipping	290	297	335
Weight - Net	255	261	299
Start Components	NO	NO	YES
Sound Enclosure	YES	YES	YES
Compressor Sump Heat	YES	YES	YES
<b>Optional Accessories: ④</b>			
Anti-short Cycle Timer	TAYASCT501A	TAYASCT501A	TAYASCT501A
Evaporator Defrost Control A/C	AY28X084	AY28X084	AY28X084
Rubber Isolator Kit	BAYISLT101	BAYISLT101	BAYISLT101
Snow Leg - Base & Cap 4" High	BAYLEGS002	BAYLEGS002	BAYLEGS002
Snow Leg - 4" Extension	BAYLEGS003	BAYLEGS003	BAYLEGS003
Hard Start Kit Scroll	BAYKSKT260	BAYKSKT260	
Extreme Condition Mounting Kit	BAYECMT001	BAYECMT001	BAYECMT001
Refrigerant Lineset ⑤	TAYREFLN7*	TAYREFLN3*	TAYREFLN3*

### Accessory Description and Usage

**Anti-Short Cycle Timer** — Solid state timing device that prevents compressor recycling until 5 minutes have elapsed after satisfying call or power interruptions. Use in area with questionable power delivery, commercial applications, long lineset, etc.

**Evaporator Defrost Control** — SPST Temperature actuated switch that cycles the condenser off as indoor coil reaches freeze-up conditions. Used for low ambient cooling to 30°F with TXV.

**Rubber Isolators** — 5 large rubber donuts to isolate condensing unit from transmitting energy into mounting frame or pad. Use on any application where sound transmission needs to be minimized.

**Hard Start kit** — Start capacitor and relay to assist compressor motor startup. Use in areas with marginal power supply, on long linesets, low ambient conditions, etc.

**Extreme Condition Mount Kit** — Bracket kits to securely mount condensing unit to a frame or pad without removing any panels. Use in areas with high winds, or on commercial roof tops, etc.

### ARI Standard Capacity Rating Conditions

#### ARI STANDARD 210/240 RATING CONDITIONS —

- (A) Cooling 80°F DB, 67°F WB air entering indoor coil, 95°F DB air entering outdoor coil.
- (B) High Temperature Heating 47°F DB, 43°F WB air entering outdoor coil, 70°F DB air entering indoor coil.
- (C) Low Temperature Heating 17°F DB, 15°F WB air entering outdoor coil, 70°F DB air entering indoor coil.
- (D) Rated indoor airflow for heating is the same as for cooling.

**ARI STANDARD 270 RATING CONDITIONS** — (Noise rating numbers are determined with the unit in cooling operation.) Standard Noise Rating number is at 95°F outdoor air.

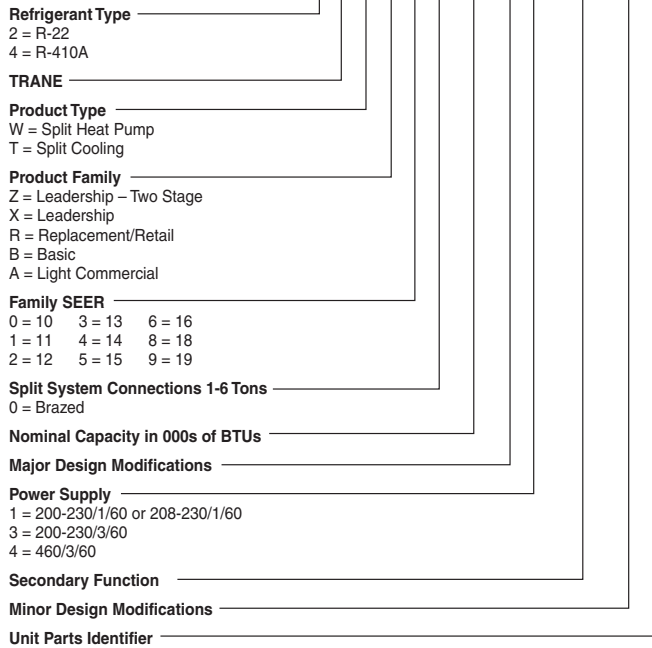




# Model Nomenclature

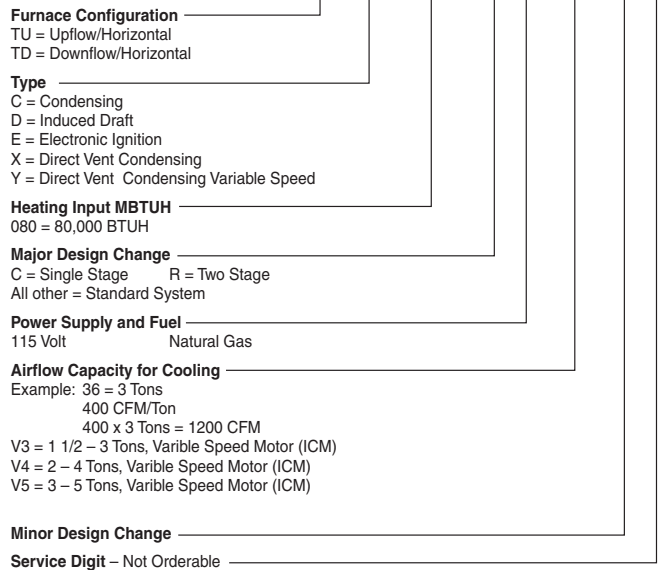
## Outdoor Units

4 T W R 4 0 3 6 A 1 0 0 0 A



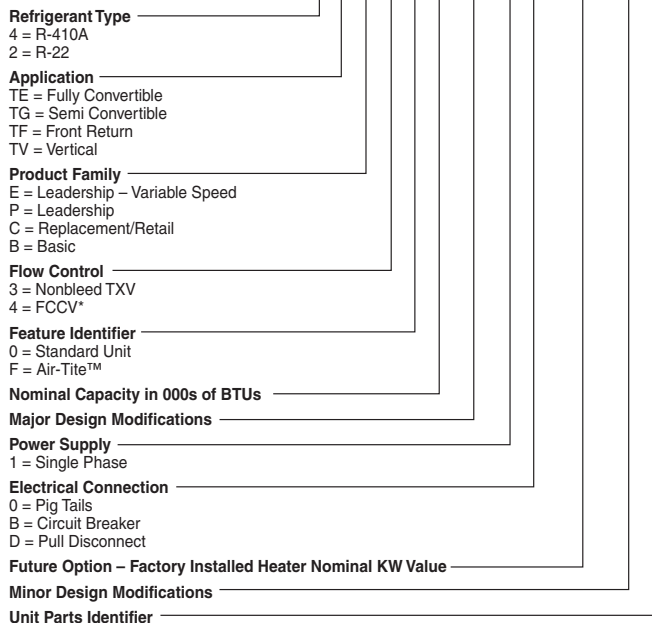
## Gas Furnaces

T U Y 0 8 0 R 9 V 3 W 0



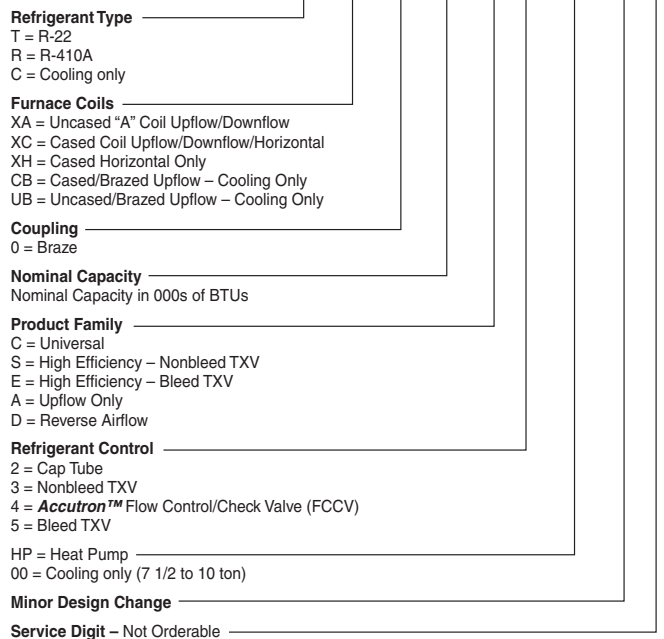
## Air Handlers – Residential

4 T E E 3 F 3 6 A 1 0 0 0 A



## Furnace Coils

T X C 0 2 4 C 4 H P C 0



NOTE: There will be a phase-in of new model numbers for new air handlers over next 2 years.  
\*Shipped with R-22 FCCV



# Performance Data Cooling

## 4TWR4024A1

### 4TWR4024A1 WITH 4TEE3F31A1 AT 800 CFM

O.D. D.B.	I.D. W.B.	TOT. CAP.	SENS. CAP. AT ENTERING D.B. TEMP.				TOTAL KW
			72	75	78	80	
85	59	22.9	18.1	20.2	22.3	22.9	1.86
	63	23.8	14.9	17.2	19.4	20.8	1.88
	67	25.8	12.0	14.3	16.5	18.0	1.91
	71	28.1	9.1	11.3	13.6	15.1	1.94
95	59	21.5	17.6	19.7	21.5	21.5	2.06
	63	22.3	14.4	16.7	18.9	20.3	2.07
	67	24.2	11.4	13.8	16.0	17.5	2.11
	71	26.3	8.5	10.7	13.0	14.6	2.14
105	59	19.9	17.1	19.2	19.9	19.9	2.22
	63	20.7	13.9	16.2	18.3	19.8	2.23
	67	22.4	10.9	13.2	15.5	17.0	2.27
	71	24.4	7.8	10.1	12.5	14.0	2.30
115	59	18.3	16.5	18.3	18.3	18.3	2.35
	63	19.0	13.4	15.6	17.8	19.0	2.37
	67	20.6	10.3	12.6	14.9	16.4	2.41
	71	22.5	7.2	9.5	11.9	13.4	2.44

### CORRECTION FACTORS FOR OTHER AIRFLOWS (MULTIPLY DATA BY FACTOR)

AIRFLOW	TOTAL CAPACITY	SENSIBLE CAPACITY
LOW	700	0.98
HIGH	900	1.02

NOTE: ALL TABLES ABOVE ARE AT ARI RATING CONDITIONS RATED WITH 25 FEET OF REFRIGERANT LINES.  
 \* DRY COIL CONDITION (TOTAL CAPACITY = SENSIBLE CAPACITY)  
 TOTAL CAPACITY, COMP. KW AND APP. DEW PT. ARE VALID ONLY FOR WET COIL. ALL TEMPERATURES IN DEGREES F.

### CORRECTION FACTORS FOR OTHER COMBINATIONS (MULTIPLY DATA BY FACTOR)

INDOOR MODEL	CFM	MBTUH TOT	MBTUH SEN	SYST KW
4TEE3F37A1	RATED	800	1.00	1.02
	LOW	700	0.97	0.95
	HIGH	900	1.01	1.10
4TEE3F40A1	RATED	800	1.05	1.09
	LOW	700	1.02	1.01
	HIGH	900	1.07	1.16
4TEP3F18A1	RATED	800	0.97	0.95
	LOW	700	0.95	0.88
	HIGH	900	0.99	1.01
4TEP3F24A1	RATED	800	0.97	0.96
	LOW	700	0.95	0.89
	HIGH	900	0.99	1.02
4TEP3F30A1	RATED	800	0.97	0.94
	LOW	700	0.95	0.88
	HIGH	900	0.99	1.00
4TEP3F36A1	RATED	800	0.96	0.95
	LOW	700	0.94	0.88
	HIGH	900	0.98	1.01
RXC031S3	RATED	800	0.97	0.95
	LOW	700	0.95	0.89
	HIGH	900	0.99	1.02
RXC036S3	RATED	800	1.00	0.99
	LOW	700	0.97	0.92
	HIGH	900	1.01	1.05
RXC037S3	RATED	800	1.00	0.99
	LOW	700	0.97	0.92
	HIGH	900	1.01	1.05
TDD060R9V3+RXC031S3	RATED	800	1.00	1.03
	LOW	700	0.97	0.96
	HIGH	900	1.02	1.10
TDD060R9V3+RXC036S3	RATED	800	1.02	1.06
	LOW	700	1.00	0.99
	HIGH	900	1.04	1.14

### CORRECTION FACTORS FOR OTHER COMBINATIONS (MULTIPLY DATA BY FACTOR)

INDOOR MODEL	CFM	MBTUH TOT	MBTUH SEN	SYST KW
TDD060R9V3+TXH033A4+4AYTXVH-3	RATED	800	1.00	1.02
	LOW	700	0.97	0.94
	HIGH	900	1.02	1.09
TDD080R9V3+RXC031S3	RATED	800	1.00	1.03
	LOW	700	0.97	0.96
	HIGH	900	1.02	1.11
TDD080R9V3+RXC036S3	RATED	800	1.02	1.07
	LOW	700	1.00	0.99
	HIGH	900	1.04	1.14
TDD080R9V3+TXH033A4+4AYTXVH-3	RATED	800	1.00	1.02
	LOW	700	0.97	0.94
	HIGH	900	1.02	1.09
TDY060R9V3+RXC031S3	RATED	800	1.00	1.03
	LOW	700	0.98	0.96
	HIGH	900	1.02	1.11
TDY060R9V3+RXC036S3	RATED	800	1.02	1.07
	LOW	700	1.00	0.99
	HIGH	900	1.04	1.14
TDY060R9V3+TXH033A4+4AYTXVH-3	RATED	800	1.00	1.02
	LOW	700	0.97	0.94
	HIGH	900	1.01	1.09
TDY080R9V3+RXC031S3	RATED	800	1.00	1.03
	LOW	700	0.98	0.95
	HIGH	900	1.02	1.10
TDY080R9V3+RXC036S3	RATED	800	1.02	1.06
	LOW	700	0.99	0.98
	HIGH	900	1.04	1.13
TDY080R9V3+TXH033A4+4AYTXVH-3	RATED	800	0.99	1.01
	LOW	700	0.97	0.94
	HIGH	900	1.01	1.08
TUD060R9V3+RXC031S3	RATED	800	1.00	1.03
	LOW	700	0.98	0.95
	HIGH	900	1.02	1.10
TUD060R9V3+RXC036S3	RATED	800	1.02	1.06
	LOW	700	0.99	0.98
	HIGH	900	1.04	1.13
TUD060R9V3+TXH033A4+4AYTXVH-3	RATED	800	0.99	1.01
	LOW	700	0.97	0.93
	HIGH	900	1.01	1.08
TUD080R9V3+RXC031S3	RATED	800	1.00	1.03
	LOW	700	0.98	0.96
	HIGH	900	1.02	1.10
TUD080R9V3+RXC036S3	RATED	800	1.03	1.06
	LOW	700	1.00	0.98
	HIGH	900	1.04	1.14
TUD080R9V3+TXH033A4+4AYTXVH-3	RATED	800	0.99	1.01
	LOW	700	0.97	0.94
	HIGH	900	1.01	1.08
TUY060R9V3+RXC031S3	RATED	800	1.00	1.03
	LOW	700	0.98	0.95
	HIGH	900	1.02	1.10
TUY060R9V3+RXC036S3	RATED	800	1.02	1.06
	LOW	700	0.99	0.98
	HIGH	900	1.04	1.13
TUY060R9V3+TXH033A4+4AYTXVH-3	RATED	800	0.99	1.01
	LOW	700	0.97	0.93
	HIGH	900	1.01	1.08
TUY080R9V3+RXC031S3	RATED	800	1.00	1.03
	LOW	700	0.97	0.96
	HIGH	900	1.02	1.10
TUY080R9V3+RXC036S3	RATED	800	1.03	1.07
	LOW	700	1.00	0.99
	HIGH	900	1.04	1.14



# Performance Data Cooling

## 4TWR4024A1

CORRECTION FACTORS FOR OTHER COMBINATIONS (MULTIPLY DATA BY FACTOR)

INDOOR MODEL		CFM	MBTUH TOT	MBTUH SEN	SYST KW
TUY080R9V3+TXH033A4+4AYTXVH-3	RATED	800	1.00	1.02	0.97
	LOW	700	0.97	0.94	0.96
	HIGH	900	1.02	1.09	0.98
TWE030C14+4AYTXVH-3	RATED	800	0.94	0.91	1.05
	LOW	700	0.92	0.85	1.03
	HIGH	900	0.95	0.97	1.08
TWE036C14+4AYTXVH-3	RATED	800	0.95	0.93	1.04
	LOW	700	0.93	0.86	1.02
	HIGH	900	0.96	0.99	1.06
TXA025C4+4AYTXVH-3	RATED	800	0.93	0.90	1.05
	LOW	700	0.91	0.84	1.02
	HIGH	900	0.94	0.96	1.07
TXA030C4+4AYTXVH-3	RATED	800	0.95	0.92	1.05
	LOW	700	0.93	0.86	1.03
	HIGH	900	0.96	0.99	1.08
TXA031C4+4AYTXVH-3	RATED	800	0.95	0.93	1.05
	LOW	700	0.93	0.87	1.03
	HIGH	900	0.97	0.99	1.07
TXA035C4+4AYTXVH-3	RATED	800	0.95	0.92	1.05
	LOW	700	0.93	0.86	1.03
	HIGH	900	0.96	0.99	1.08
TXA036C4+4AYTXVH-3	RATED	800	0.96	0.95	1.06
	LOW	700	0.94	0.88	1.04
	HIGH	900	0.98	1.01	1.08
TXA037C4+4AYTXVH-3	RATED	800	0.96	0.95	1.06
	LOW	700	0.94	0.88	1.04
	HIGH	900	0.98	1.01	1.08
TXC025C4+4AYTXVH-3	RATED	800	0.93	0.90	1.05
	LOW	700	0.91	0.84	1.02
	HIGH	900	0.94	0.96	1.07
TXC025D4+4AYTXVH-3	RATED	800	0.93	0.90	1.05
	LOW	700	0.91	0.84	1.02
	HIGH	900	0.94	0.96	1.07

CORRECTION FACTORS FOR OTHER COMBINATIONS (MULTIPLY DATA BY FACTOR)

INDOOR MODEL		CFM	MBTUH TOT	MBTUH SEN	SYST KW
TXC030C4+4AYTXVH-3	RATED	800	0.95	0.92	1.05
	LOW	700	0.93	0.86	1.03
	HIGH	900	0.96	0.99	1.08
TXC030D4+4AYTXVH-3	RATED	800	0.95	0.92	1.05
	LOW	700	0.93	0.86	1.03
	HIGH	900	0.96	0.99	1.08
TXC031C4+4AYTXVH-3	RATED	800	0.95	0.93	1.05
	LOW	700	0.93	0.87	1.03
	HIGH	900	0.97	0.99	1.07
TXC031D4+4AYTXVH-3	RATED	800	0.95	0.93	1.05
	LOW	700	0.93	0.87	1.03
	HIGH	900	0.97	0.99	1.07
TXC035C4+4AYTXVH-3	RATED	800	0.95	0.92	1.05
	LOW	700	0.93	0.86	1.03
	HIGH	900	0.96	0.99	1.08
TXC035D4+4AYTXVH-3	RATED	800	0.95	0.92	1.05
	LOW	700	0.93	0.86	1.03
	HIGH	900	0.96	0.99	1.08
TXC036C4+4AYTXVH-3	RATED	800	0.96	0.95	1.06
	LOW	700	0.94	0.88	1.04
	HIGH	900	0.98	1.01	1.08
TXC036D4+4AYTXVH-3	RATED	800	0.96	0.95	1.06
	LOW	700	0.94	0.88	1.04
	HIGH	900	0.98	1.01	1.08
TXC037C4+4AYTXVH-3	RATED	800	0.96	0.95	1.06
	LOW	700	0.94	0.88	1.04
	HIGH	900	0.98	1.01	1.08
TXH033A4+4AYTXVH-3	RATED	800	0.97	0.94	1.06
	LOW	700	0.95	0.88	1.04
	HIGH	900	0.99	1.00	1.08

## 4TWR4030A1

### 4TWR4030A1 WITH 4TEE3F31A1 AT 1000 CFM

O.D. D.B.	I.D. W.B.	TOT. CAP.	SENS. CAP. AT ENTERING D.B. TEMP.				TOTAL KW
			72	75	78	80	
85	59	27.6	21.6	24.2	26.6	27.6	2.32
	63	28.7	17.9	20.6	23.2	24.9	2.32
	67	30.7	14.2	17.0	19.7	21.5	2.34
	71	33.0	10.5	13.3	16.1	17.9	2.34
95	59	26.4	21.2	23.8	26.2	26.4	2.60
	63	27.4	17.5	20.2	22.8	24.5	2.60
	67	29.4	13.8	16.6	19.4	21.2	2.63
	71	31.6	10.1	12.8	15.6	17.5	2.63
105	59	25.1	20.8	23.4	25.1	25.1	2.91
	63	26.0	17.1	19.8	22.4	24.1	2.91
	67	27.9	13.3	16.2	18.9	20.7	2.94
	71	30.0	9.5	12.3	15.2	17.1	2.94
115	59	23.6	20.4	22.9	23.6	23.6	3.24
	63	24.5	16.6	19.3	21.9	23.6	3.25
	67	26.3	12.8	15.7	18.4	20.2	3.28
	71	28.3	9.0	11.8	14.7	16.6	3.28

CORRECTION FACTORS FOR OTHER AIRFLOWS (MULTIPLY DATA BY FACTOR)

	AIRFLOW	TOTAL CAPACITY	SENSIBLE CAPACITY
LOW	875	0.98	0.93
HIGH	1125	1.01	1.06

NOTE: ALL TABLES ABOVE ARE AT ARI RATING CONDITIONS RATED WITH 25 FEET OF REFRIGERANT LINES.  
\* DRY COIL CONDITION (TOTAL CAPACITY = SENSIBLE CAPACITY)  
TOTAL CAPACITY, COMP. KW AND APP. DEW PT. ARE VALID ONLY FOR WET COIL. ALL TEMPERATURES IN DEGREES F.

CORRECTION FACTORS FOR OTHER COMBINATIONS (MULTIPLY DATA BY FACTOR)

INDOOR MODEL		CFM	MBTUH TOT	MBTUH SEN	SYST KW
4TEE3F37A1	RATED	1000	1.00	1.03	0.98
	LOW	875	0.98	0.96	0.97
	HIGH	1125	1.01	1.09	0.99
4TEE3F40A1	RATED	1000	1.04	1.08	0.98
	LOW	875	1.02	1.01	0.97
	HIGH	1125	1.06	1.16	0.99
4TEP3F24A1	RATED	1000	0.98	0.97	1.02
	LOW	875	0.96	0.90	1.00
	HIGH	1125	0.99	1.03	1.03





# Performance Data Cooling

## 4TWR4030A1

CORRECTION FACTORS FOR OTHER COMBINATIONS (MULTIPLY DATA BY FACTOR)

INDOOR MODEL		CFM	MBTUH TOT	MBTUH SEN	SYST KW
4TEP3F30A1	RATED	1000	0.96	0.93	1.05
	LOW	875	0.95	0.87	1.03
	HIGH	1125	0.97	0.99	1.07
4TEP3F36A1	RATED	1000	0.97	0.96	1.05
	LOW	875	0.95	0.90	1.03
	HIGH	1125	0.98	1.02	1.07
4TEP3F42A1	RATED	1000	0.99	0.98	1.06
	LOW	875	0.97	0.92	1.04
	HIGH	1125	1.00	1.04	1.08
RXC031S3	RATED	1000	0.98	0.96	1.05
	LOW	875	0.96	0.90	1.03
	HIGH	1125	0.99	1.03	1.07
RXC036S3	RATED	1000	1.00	1.00	1.05
	LOW	875	0.98	0.93	1.03
	HIGH	1125	1.01	1.06	1.07
RXC037S3	RATED	1000	1.00	1.00	1.05
	LOW	875	0.98	0.93	1.03
	HIGH	1125	1.01	1.06	1.07
TDD060R9V3+RXC031S3	RATED	1000	1.00	1.02	0.99
	LOW	875	0.98	0.95	0.98
	HIGH	1125	1.01	1.08	1.00
TDD060R9V3+RXC036S3	RATED	1000	1.02	1.05	1.00
	LOW	875	1.00	0.98	0.98
	HIGH	1125	1.03	1.12	1.01
TDD060R9V3+TXH033A4+4AYTXVH-3	RATED	1000	0.99	1.00	0.98
	LOW	875	0.97	0.93	0.97
	HIGH	1125	1.00	1.07	0.99
TDD060R9V3+TXH041A4+4AYTXVH-3	RATED	1000	1.01	1.05	0.99
	LOW	875	0.99	0.97	0.98
	HIGH	1125	1.03	1.12	1.00
TDD080R9V3+RXC031S3	RATED	1000	0.99	1.02	0.99
	LOW	875	0.98	0.95	0.98
	HIGH	1125	1.01	1.09	1.00
TDD080R9V3+RXC036S3	RATED	1000	1.01	1.05	0.99
	LOW	875	1.00	0.98	0.98
	HIGH	1125	1.03	1.13	1.01
TDD080R9V3+TXH033A4+4AYTXVH-3	RATED	1000	0.99	1.00	0.98
	LOW	875	0.98	0.94	0.97
	HIGH	1125	1.01	1.07	0.99
TDD080R9V3+TXH041A4+4AYTXVH-3	RATED	1000	1.01	1.05	0.99
	LOW	875	0.99	0.97	0.97
	HIGH	1125	1.02	1.12	1.00
TDY060R9V3+RXC031S3	RATED	1000	1.00	1.02	0.99
	LOW	875	0.98	0.95	0.98
	HIGH	1125	1.01	1.09	1.00
TDY060R9V3+RXC036S3	RATED	1000	1.01	1.05	0.99
	LOW	875	1.00	0.98	0.98
	HIGH	1125	1.03	1.13	1.00
TDY060R9V3+TXH033A4+4AYTXVH-3	RATED	1000	0.99	1.00	0.98
	LOW	875	0.97	0.94	0.97
	HIGH	1125	1.00	1.07	0.99
TDY060R9V3+TXH041A4+4AYTXVH-3	RATED	1000	1.01	1.05	0.98
	LOW	875	0.99	0.97	0.97
	HIGH	1125	1.02	1.12	0.99
TDY080R9V3+RXC031S3	RATED	1000	0.99	1.01	1.00
	LOW	875	0.97	0.94	0.99
	HIGH	1125	1.00	1.07	1.02
TDY080R9V3+RXC036S3	RATED	1000	1.01	1.04	1.01
	LOW	875	0.99	0.97	0.99
	HIGH	1125	1.03	1.11	1.02
TDY080R9V3+TXH033A4+4AYTXVH-3	RATED	1000	0.99	0.99	0.99
	LOW	875	0.97	0.93	0.97
	HIGH	1125	1.00	1.06	1.00

CORRECTION FACTORS FOR OTHER COMBINATIONS (MULTIPLY DATA BY FACTOR)

INDOOR MODEL		CFM	MBTUH TOT	MBTUH SEN	SYST KW
TDY080R9V3+TXH041A4+4AYTXVH-3	RATED	1000	1.00	1.03	1.00
	LOW	875	0.99	0.96	0.99
	HIGH	1125	1.02	1.10	1.01
TUD060R9V3+RXC031S3	RATED	1000	0.99	1.00	1.02
	LOW	875	0.98	0.93	1.00
	HIGH	1125	1.01	1.07	1.03
TUD060R9V3+RXC036S3	RATED	1000	1.01	1.04	1.01
	LOW	875	0.99	0.97	1.00
	HIGH	1125	1.03	1.11	1.02
TUD060R9V3+TXH033A4+4AYTXVH-3	RATED	1000	0.99	0.99	0.99
	LOW	875	0.97	0.92	0.98
	HIGH	1125	1.00	1.05	1.01
TUD060R9V3+TXH041A4+4AYTXVH-3	RATED	1000	1.00	1.03	1.00
	LOW	875	0.98	0.96	0.99
	HIGH	1125	1.01	1.10	1.01
TUD080R9V3+RXC031S3	RATED	1000	1.00	1.01	1.00
	LOW	875	0.98	0.94	0.99
	HIGH	1125	1.01	1.08	1.01
TUD080R9V3+RXC036S3	RATED	1000	1.02	1.05	1.00
	LOW	875	1.00	0.98	0.98
	HIGH	1125	1.03	1.12	1.01
TUD080R9V3+TXH033A4+4AYTXVH-3	RATED	1000	0.99	1.00	0.99
	LOW	875	0.97	0.93	0.97
	HIGH	1125	1.00	1.06	1.00
TUD080R9V3+TXH041A4+4AYTXVH-3	RATED	1000	1.01	1.04	0.99
	LOW	875	0.99	0.97	0.98
	HIGH	1125	1.02	1.11	1.00
TUY060R9V3+RXC031S3	RATED	1000	1.00	1.02	1.00
	LOW	875	0.98	0.95	0.99
	HIGH	1125	1.01	1.08	1.01
TUY060R9V3+RXC036S3	RATED	1000	1.01	1.05	1.00
	LOW	875	0.99	0.98	0.98
	HIGH	1125	1.03	1.12	1.01
TUY060R9V3+TXH033A4+4AYTXVH-3	RATED	1000	0.99	1.00	0.98
	LOW	875	0.97	0.93	0.97
	HIGH	1125	1.00	1.07	0.99
TUY060R9V3+TXH041A4+4AYTXVH-3	RATED	1000	1.01	1.04	0.99
	LOW	875	0.99	0.97	0.98
	HIGH	1125	1.02	1.11	1.00
TUY080R9V3+RXC031S3	RATED	1000	0.99	1.02	0.98
	LOW	875	0.98	0.95	0.97
	HIGH	1125	1.01	1.09	0.99
TUY080R9V3+RXC036S3	RATED	1000	1.02	1.06	0.99
	LOW	875	1.00	0.99	0.98
	HIGH	1125	1.03	1.13	1.00
TUY080R9V3+TXH033A4+4AYTXVH-3	RATED	1000	0.99	1.01	0.98
	LOW	875	0.97	0.94	0.97
	HIGH	1125	1.00	1.07	0.99
TUY080R9V3+TXH041A4+4AYTXVH-3	RATED	1000	1.01	1.05	0.98
	LOW	875	0.99	0.98	0.97
	HIGH	1125	1.03	1.12	0.99
TWE042C14+4AYTXVH-3	RATED	1000	0.98	0.96	1.05
	LOW	875	0.96	0.90	1.03
	HIGH	1125	0.99	1.02	1.07
TXA031C4+4AYTXVH-3	RATED	1000	0.95	0.94	1.05
	LOW	875	0.94	0.87	1.03
	HIGH	1125	0.97	1.00	1.07
TXA036C4+4AYTXVH-3	RATED	1000	0.97	0.96	1.05
	LOW	875	0.95	0.90	1.03
	HIGH	1125	0.98	1.02	1.07
TXA037C4+4AYTXVH-3	RATED	1000	0.97	0.96	1.05
	LOW	875	0.95	0.90	1.03
	HIGH	1125	0.98	1.02	1.07



# Performance Data Cooling

## 4TWR4030A1

CORRECTION FACTORS FOR OTHER COMBINATIONS (MULTIPLY DATA BY FACTOR)

INDOOR MODEL		CFM	MBTUH TOT	MBTUH SEN	SYST KW
TXA042C4+4AYTXVH-3	RATED	1000	0.98	0.97	1.06
	LOW	875	0.96	0.91	1.04
	HIGH	1125	0.99	1.04	1.08
TXA043C4+4AYTXVH-3	RATED	1000	0.98	0.97	1.06
	LOW	875	0.96	0.91	1.04
	HIGH	1125	0.99	1.04	1.08
TXC031C4+4AYTXVH-3	RATED	1000	0.95	0.94	1.05
	LOW	875	0.94	0.87	1.03
	HIGH	1125	0.97	1.00	1.07
TXC031D4+4AYTXVH-3	RATED	1000	0.95	0.94	1.05
	LOW	875	0.94	0.87	1.03
	HIGH	1125	0.97	1.00	1.07
TXC036C4+4AYTXVH-3	RATED	1000	0.97	0.96	1.05
	LOW	875	0.95	0.90	1.03
	HIGH	1125	0.98	1.02	1.07
TXC036D4+4AYTXVH-3	RATED	1000	0.97	0.96	1.05
	LOW	875	0.95	0.90	1.03
	HIGH	1125	0.98	1.02	1.07

CORRECTION FACTORS FOR OTHER COMBINATIONS (MULTIPLY DATA BY FACTOR)

INDOOR MODEL		CFM	MBTUH TOT	MBTUH SEN	SYST KW
TXC037C4+4AYTXVH-3	RATED	1000	0.97	0.96	1.05
	LOW	875	0.95	0.90	1.03
	HIGH	1125	0.98	1.02	1.07
TXC042C4+4AYTXVH-3	RATED	1000	0.98	0.97	1.06
	LOW	875	0.96	0.91	1.04
	HIGH	1125	0.99	1.04	1.08
TXC043C4+4AYTXVH-3	RATED	1000	0.98	0.97	1.06
	LOW	875	0.96	0.91	1.04
	HIGH	1125	0.99	1.04	1.08
TXH033A4+4AYTXVH-3	RATED	1000	0.97	0.94	1.05
	LOW	875	0.95	0.88	1.03
	HIGH	1125	0.98	1.00	1.07
TXH041A4+4AYTXVH-3	RATED	1000	0.99	0.99	1.05
	LOW	875	0.97	0.92	1.03
	HIGH	1125	1.00	1.05	1.07

## 4TWR4036A1

4TWR4036A1 WITH 4TEE3F37A1 AT 1200 CFM

O.D. D.B.	I.D. W.B.	TOT. CAP.	SENS. CAP. AT ENTERING D.B. TEMP.				TOTAL KW
			72	75	78	80	
85	59	33.3	26.2	29.3	32.3	33.3	2.69
	63	34.6	21.7	25.0	28.2	30.2	2.69
	67	37.1	17.3	20.6	23.9	26.1	2.71
	71	39.8	12.8	16.1	19.5	21.7	2.71
95	59	31.9	25.8	28.9	31.8	31.9	3.03
	63	33.1	21.2	24.5	27.7	29.7	3.04
	67	35.5	16.8	20.1	23.5	25.6	3.06
	71	38.1	12.2	15.6	19.0	21.2	3.05
105	59	30.3	25.3	28.3	30.3	30.3	3.41
	63	31.5	20.7	24.0	27.2	29.2	3.41
	67	33.7	16.2	19.6	22.9	25.1	3.43
	71	36.3	11.6	15.0	18.4	20.7	3.43
115	59	28.5	24.7	27.8	28.5	28.5	3.82
	63	29.6	20.1	23.4	26.6	28.6	3.82
	67	31.7	15.6	19.0	22.3	24.5	3.85
	71	34.1	10.9	14.3	17.8	20.1	3.85

CORRECTION FACTORS FOR OTHER AIRFLOWS (MULTIPLY DATA BY FACTOR)

AIRFLOW	TOTAL CAPACITY	SENSIBLE CAPACITY
LOW	1050	0.98
HIGH	1350	1.01

NOTE: ALL TABLES ABOVE ARE AT ARI RATING CONDITIONS RATED WITH 25 FEET OF REFRIGERANT LINES.  
 \* DRY COIL CONDITION (TOTAL CAPACITY = SENSIBLE CAPACITY)  
 TOTAL CAPACITY, COMP. KW AND APP. DEW PT. ARE VALID ONLY FOR WET COIL. ALL TEMPERATURES IN DEGREES F.

CORRECTION FACTORS FOR OTHER COMBINATIONS (MULTIPLY DATA BY FACTOR)

INDOOR MODEL		CFM	MBTUH TOT	MBTUH SEN	SYST KW
4TEE3F31A1	RATED	1200	0.96	0.91	1.04
	LOW	1050	0.94	0.85	1.02
	HIGH	1350	0.97	0.97	1.05
4TEE3F40A1	RATED	1200	1.03	1.04	1.00
	LOW	1050	1.01	0.97	0.99
	HIGH	1350	1.04	1.11	1.01

CORRECTION FACTORS FOR OTHER COMBINATIONS (MULTIPLY DATA BY FACTOR)

INDOOR MODEL		CFM	MBTUH TOT	MBTUH SEN	SYST KW
4TEP3F30A1	RATED	1200	0.95	0.90	1.06
	LOW	1050	0.94	0.84	1.05
	HIGH	1350	0.96	0.95	1.08
4TEP3F36A1	RATED	1200	0.95	0.92	1.06
	LOW	1050	0.94	0.86	1.04
	HIGH	1350	0.96	0.98	1.08
4TEP3F42A1	RATED	1200	0.98	0.96	1.06
	LOW	1050	0.96	0.90	1.04
	HIGH	1350	0.99	1.02	1.08
4TEP3F48B1	RATED	1200	0.99	1.00	1.05
	LOW	1050	0.97	0.94	1.03
	HIGH	1350	1.00	1.07	1.07
RXC031S3	RATED	1200	0.97	0.93	1.06
	LOW	1050	0.95	0.87	1.04
	HIGH	1350	0.98	0.99	1.08
RXC036S3	RATED	1200	0.99	0.97	1.06
	LOW	1050	0.97	0.91	1.04
	HIGH	1350	1.00	1.04	1.08
RXC037S3	RATED	1200	0.99	0.97	1.06
	LOW	1050	0.97	0.91	1.04
	HIGH	1350	1.00	1.04	1.08
RXC054S3	RATED	1200	0.99	0.98	1.07
	LOW	1050	0.97	0.92	1.05
	HIGH	1350	1.00	1.05	1.09
TDD060R9V3+RXC031S3	RATED	1200	0.97	0.96	1.04
	LOW	1050	0.96	0.89	1.02
	HIGH	1350	0.99	1.02	1.05
TDD060R9V3+RXC036S3	RATED	1200	0.99	1.00	1.02
	LOW	1050	0.98	0.93	1.01
	HIGH	1350	1.01	1.07	1.04
TDD060R9V3+TXH033A4+4AYTXVH-3	RATED	1200	0.96	0.94	1.02
	LOW	1050	0.95	0.88	1.00
	HIGH	1350	0.98	1.00	1.03
TDD060R9V3+TXH041A4+4AYTXVH-3	RATED	1200	0.99	0.99	1.02
	LOW	1050	0.97	0.93	1.01
	HIGH	1350	1.00	1.06	1.03



# Performance Data Cooling

## 4TWR4036A1

**CORRECTION FACTORS FOR OTHER COMBINATIONS (MULTIPLY DATA BY FACTOR)**

INDOOR MODEL		CFM	MBTUH TOT	MBTUH SEN	SYST KW
TDD080R9V3+RXC031S3	RATED	1200	0.98	0.96	1.02
	LOW	1050	0.96	0.90	1.01
	HIGH	1350	0.99	1.03	1.04
TDD080R9V3+RXC036S3	RATED	1200	1.00	1.01	1.02
	LOW	1050	0.98	0.94	1.00
	HIGH	1350	1.01	1.07	1.03
TDD080R9V3+TXH033A4+4AYTXVH-3	RATED	1200	0.96	0.94	1.02
	LOW	1050	0.95	0.88	1.00
	HIGH	1350	0.98	1.00	1.03
TDD080R9V3+TXH041A4+4AYTXVH-3	RATED	1200	0.99	1.00	1.01
	LOW	1050	0.97	0.93	1.00
	HIGH	1350	1.01	1.06	1.02
TDD100R9V5+RXC037S3	RATED	1200	1.01	1.04	0.99
	LOW	1050	0.99	0.97	0.98
	HIGH	1350	1.03	1.11	1.00
TDD100R9V5+TXH033A4+4AYTXVH-3	RATED	1200	0.97	0.97	0.98
	LOW	1050	0.95	0.90	0.97
	HIGH	1350	0.99	1.03	0.99
TDD100R9V5+TXH041A4+4AYTXVH-3	RATED	1200	1.00	1.02	0.98
	LOW	1050	0.98	0.95	0.97
	HIGH	1350	1.02	1.09	0.99
TDY060R9V3+RXC031S3	RATED	1200	0.98	0.96	1.03
	LOW	1050	0.96	0.90	1.01
	HIGH	1350	0.99	1.02	1.04
TDY060R9V3+RXC036S3	RATED	1200	1.00	1.01	1.02
	LOW	1050	0.98	0.94	1.01
	HIGH	1350	1.01	1.07	1.04
TDY060R9V3+TXH033A4+4AYTXVH-3	RATED	1200	0.96	0.94	1.01
	LOW	1050	0.94	0.88	1.00
	HIGH	1350	0.97	1.00	1.02
TDY060R9V3+TXH041A4+4AYTXVH-3	RATED	1200	0.99	1.00	1.01
	LOW	1050	0.97	0.93	1.00
	HIGH	1350	1.00	1.06	1.03
TDY080R9V3+RXC031S3	RATED	1200	0.97	0.95	1.04
	LOW	1050	0.95	0.89	1.03
	HIGH	1350	0.98	1.01	1.06
TDY080R9V3+RXC036S3	RATED	1200	1.00	0.99	1.04
	LOW	1050	0.98	0.93	1.03
	HIGH	1350	1.01	1.06	1.06
TDY080R9V3+TXH033A4+4AYTXVH-3	RATED	1200	0.96	0.93	1.03
	LOW	1050	0.95	0.87	1.02
	HIGH	1350	0.97	0.99	1.05
TDY080R9V3+TXH041A4+4AYTXVH-3	RATED	1200	0.98	0.98	1.03
	LOW	1050	0.97	0.92	1.01
	HIGH	1350	1.00	1.05	1.04
TDY100R9V4+RXC037S3	RATED	1200	1.00	1.02	1.02
	LOW	1050	0.99	0.95	1.00
	HIGH	1350	1.02	1.08	1.03
TDY100R9V4+TXH033A4+4AYTXVH-3	RATED	1200	0.96	0.94	1.01
	LOW	1050	0.95	0.88	1.00
	HIGH	1350	0.98	1.00	1.03
TDY100R9V4+TXH041A4+4AYTXVH-3	RATED	1200	0.99	1.00	1.00
	LOW	1050	0.97	0.93	0.99
	HIGH	1350	1.00	1.06	1.02
TUD060R9V3+RXC031S3	RATED	1200	0.97	0.95	1.04
	LOW	1050	0.95	0.88	1.03
	HIGH	1350	0.98	1.01	1.06
TUD060R9V3+RXC036S3	RATED	1200	0.99	0.99	1.04
	LOW	1050	0.98	0.92	1.02
	HIGH	1350	1.01	1.05	1.05
TUD060R9V3+TXH033A4+4AYTXVH-3	RATED	1200	0.96	0.93	1.03
	LOW	1050	0.97	0.88	1.04
	HIGH	1350	0.97	0.98	1.04

**CORRECTION FACTORS FOR OTHER COMBINATIONS (MULTIPLY DATA BY FACTOR)**

INDOOR MODEL		CFM	MBTUH TOT	MBTUH SEN	SYST KW
TUD060R9V3+TXH041A4+4AYTXVH-3	RATED	1200	0.98	0.98	1.03
	LOW	1050	0.97	0.92	1.02
	HIGH	1350	1.00	1.04	1.05
TUD080R9V3+RXC031S3	RATED	1200	0.97	0.95	1.04
	LOW	1050	0.95	0.89	1.03
	HIGH	1350	0.98	1.01	1.06
TUD080R9V3+RXC036S3	RATED	1200	1.00	1.00	1.03
	LOW	1050	0.98	0.93	1.02
	HIGH	1350	1.01	1.06	1.05
TUD080R9V3+TXH033A4+4AYTXVH-3	RATED	1200	0.96	0.93	1.03
	LOW	1050	0.95	0.87	1.01
	HIGH	1350	0.98	0.99	1.04
TUD080R9V3+TXH041A4+4AYTXVH-3	RATED	1200	0.99	0.99	1.02
	LOW	1050	0.97	0.92	1.01
	HIGH	1350	1.00	1.05	1.04
TUD100R9V5+RXC037S3	RATED	1200	1.01	1.04	0.99
	LOW	1050	0.99	0.96	0.98
	HIGH	1350	1.03	1.11	1.00
TUD100R9V5+TXH033A4+4AYTXVH-3	RATED	1200	0.97	0.97	0.99
	LOW	1050	0.96	0.90	0.98
	HIGH	1350	0.99	1.03	1.00
TUD100R9V5+TXH041A4+4AYTXVH-3	RATED	1200	1.00	1.02	0.98
	LOW	1050	0.98	0.95	0.97
	HIGH	1350	1.01	1.09	0.99
TUY060R9V3+RXC031S3	RATED	1200	0.98	0.96	1.04
	LOW	1050	0.96	0.90	1.02
	HIGH	1350	0.99	1.02	1.06
TUY060R9V3+RXC036S3	RATED	1200	1.00	1.00	1.03
	LOW	1050	0.98	0.94	1.01
	HIGH	1350	1.01	1.07	1.04
TUY060R9V3+TXH033A4+4AYTXVH-3	RATED	1200	0.96	0.94	1.02
	LOW	1050	0.94	0.88	1.01
	HIGH	1350	0.97	1.00	1.03
TUY060R9V3+TXH041A4+4AYTXVH-3	RATED	1200	0.99	0.99	1.01
	LOW	1050	0.97	0.93	1.00
	HIGH	1350	1.00	1.06	1.03
TUY080R9V3+RXC031S3	RATED	1200	0.98	0.97	1.02
	LOW	1050	0.96	0.90	1.00
	HIGH	1350	0.99	1.03	1.03
TUY080R9V3+RXC036S3	RATED	1200	1.00	1.01	1.01
	LOW	1050	0.98	0.94	1.00
	HIGH	1350	1.02	1.08	1.03
TUY080R9V3+TXH033A4+4AYTXVH-3	RATED	1200	0.97	0.95	1.00
	LOW	1050	0.95	0.89	0.99
	HIGH	1350	0.98	1.01	1.02
TUY080R9V3+TXH041A4+4AYTXVH-3	RATED	1200	0.99	1.00	1.00
	LOW	1050	0.97	0.93	0.99
	HIGH	1350	1.00	1.07	1.01
TUY100R9V4+RXC037S3	RATED	1200	1.00	1.02	1.00
	LOW	1050	0.99	0.95	0.99
	HIGH	1350	1.02	1.09	1.01
TUY100R9V4+TXH033A4+4AYTXVH-3	RATED	1200	0.97	0.95	1.00
	LOW	1050	0.95	0.89	0.99
	HIGH	1350	0.98	1.02	1.01
TUY100R9V4+TXH041A4+4AYTXVH-3	RATED	1200	0.99	1.01	1.00
	LOW	1050	0.97	0.94	0.98
	HIGH	1350	1.01	1.07	1.01
TWE036C14+4AYTXVH-3	RATED	1200	0.94	0.89	1.05
	LOW	1050	0.93	0.84	1.03
	HIGH	1350	0.95	0.95	1.07
TWE042C14+4AYTXVH-3	RATED	1200	0.96	0.93	1.07
	LOW	1050	0.95	0.87	1.05
	HIGH	1350	0.97	0.98	1.09



# Performance Data Cooling

## 4TWR4036A1

**CORRECTION FACTORS FOR OTHER COMBINATIONS (MULTIPLY DATA BY FACTOR)**

INDOOR MODEL		CFM	MBTUH TOT	MBTUH SEN	SYST KW
TWE048C14+4AYTXVH-3	RATED	1200	0.97	0.95	1.08
	LOW	1050	0.96	0.89	1.06
	HIGH	1350	0.99	1.01	1.10
TXA030C4+4AYTXVH-3	RATED	1200	0.93	0.90	1.07
	LOW	1050	0.92	0.84	1.05
	HIGH	1350	0.95	0.96	1.08
TXA031C4+4AYTXVH-3	RATED	1200	0.94	0.90	1.07
	LOW	1050	0.93	0.85	1.05
	HIGH	1350	0.96	0.96	1.09
TXA035C4+4AYTXVH-3	RATED	1200	0.93	0.90	1.07
	LOW	1050	0.92	0.84	1.05
	HIGH	1350	0.95	0.96	1.08
TXA036C4+4AYTXVH-3	RATED	1200	0.95	0.93	1.06
	LOW	1050	0.94	0.87	1.04
	HIGH	1350	0.96	0.99	1.08
TXA037C4+4AYTXVH-3	RATED	1200	0.95	0.93	1.06
	LOW	1050	0.94	0.87	1.04
	HIGH	1350	0.96	0.99	1.08
TXA042C4+4AYTXVH-3	RATED	1200	0.96	0.94	1.07
	LOW	1050	0.95	0.88	1.05
	HIGH	1350	0.97	1.00	1.09
TXA043C4+4AYTXVH-3	RATED	1200	0.96	0.94	1.07
	LOW	1050	0.95	0.88	1.05
	HIGH	1350	0.97	1.00	1.09
TXA048C4+4AYTXVH-3	RATED	1200	0.97	0.97	1.06
	LOW	1050	0.96	0.90	1.04
	HIGH	1350	0.99	1.03	1.08
TXA049C4+4AYTXVH-3	RATED	1200	0.97	0.97	1.06
	LOW	1050	0.96	0.90	1.04
	HIGH	1350	0.99	1.03	1.08
TXA050C4+4AYTXVH-3	RATED	1200	0.97	0.97	1.06
	LOW	1050	0.96	0.90	1.04
	HIGH	1350	0.99	1.03	1.08
TXC030C4+4AYTXVH-3	RATED	1200	0.93	0.90	1.07
	LOW	1050	0.92	0.84	1.05
	HIGH	1350	0.95	0.96	1.08
TXC030D4+4AYTXVH-3	RATED	1200	0.93	0.90	1.07
	LOW	1050	0.92	0.84	1.05
	HIGH	1350	0.95	0.96	1.08
TXC031C4+4AYTXVH-3	RATED	1200	0.94	0.90	1.07
	LOW	1050	0.93	0.85	1.05
	HIGH	1350	0.96	0.96	1.09

**CORRECTION FACTORS FOR OTHER COMBINATIONS (MULTIPLY DATA BY FACTOR)**

INDOOR MODEL		CFM	MBTUH TOT	MBTUH SEN	SYST KW
TXC031D4+4AYTXVH-3	RATED	1200	0.94	0.90	1.07
	LOW	1050	0.93	0.85	1.05
	HIGH	1350	0.96	0.96	1.09
TXC035C4+4AYTXVH-3	RATED	1200	0.93	0.90	1.07
	LOW	1050	0.92	0.84	1.05
	HIGH	1350	0.95	0.96	1.08
TXC035D4+4AYTXVH-3	RATED	1200	0.93	0.90	1.07
	LOW	1050	0.92	0.84	1.05
	HIGH	1350	0.95	0.96	1.08
TXC036C4+4AYTXVH-3	RATED	1200	0.95	0.93	1.06
	LOW	1050	0.94	0.87	1.04
	HIGH	1350	0.96	0.99	1.08
TXC036D4+4AYTXVH-3	RATED	1200	0.95	0.93	1.06
	LOW	1050	0.94	0.87	1.04
	HIGH	1350	0.96	0.99	1.08
TXC037C4+4AYTXVH-3	RATED	1200	0.95	0.93	1.06
	LOW	1050	0.94	0.87	1.04
	HIGH	1350	0.96	0.99	1.08
TXC042C4+4AYTXVH-3	RATED	1200	0.96	0.94	1.07
	LOW	1050	0.95	0.88	1.05
	HIGH	1350	0.97	1.00	1.09
TXC043C4+4AYTXVH-3	RATED	1200	0.96	0.94	1.07
	LOW	1050	0.95	0.88	1.05
	HIGH	1350	0.97	1.00	1.09
TXC048C4+4AYTXVH-3	RATED	1200	0.97	0.97	1.06
	LOW	1050	0.96	0.90	1.04
	HIGH	1350	0.99	1.03	1.08
TXC049C4+4AYTXVH-3	RATED	1200	0.97	0.97	1.06
	LOW	1050	0.96	0.90	1.04
	HIGH	1350	0.99	1.03	1.08
TXC050C4+4AYTXVH-3	RATED	1200	0.97	0.97	1.06
	LOW	1050	0.96	0.90	1.04
	HIGH	1350	0.99	1.03	1.08
TXH033A4+4AYTXVH-3	RATED	1200	0.95	0.90	1.06
	LOW	1050	0.94	0.85	1.04
	HIGH	1350	0.96	0.96	1.08
TXH041A4+4AYTXVH-3	RATED	1200	0.97	0.95	1.06
	LOW	1050	0.96	0.89	1.04
	HIGH	1350	0.99	1.02	1.08



# Performance Data Cooling

## 4TWR4042A1

### 4TWR4042A1 WITH 4TEE3F40A1 AT 1400 CFM

O.D. D.B.	I.D. W.B.	TOT. CAP.	SENS. CAP. AT ENTERING D.B. TEMP.				TOTAL KW
			72	75	78	80	
85	59	41.4	32.6	36.5	40.3	41.4	3.24
	63	42.5	26.8	30.8	34.7	37.3	3.25
	67	45.4	21.2	25.3	29.4	32.0	3.28
	71	48.5	15.7	19.7	23.8	26.5	3.29
95	59	39.7	32.1	35.9	39.7	39.7	3.69
	63	40.8	26.2	30.2	34.1	36.7	3.70
	67	43.6	20.6	24.7	28.8	31.5	3.73
	71	46.6	15.1	19.1	23.2	25.9	3.74
105	59	37.7	31.3	35.2	37.7	37.7	4.17
	63	38.8	25.5	29.5	33.4	36.0	4.18
	67	41.4	19.9	24.0	28.1	30.8	4.22
	71	44.3	14.3	18.3	22.5	25.2	4.23
115	59	35.2	30.4	34.3	35.2	35.2	4.69
	63	36.2	24.6	28.6	32.6	35.1	4.70
	67	38.6	19.0	23.1	27.2	29.9	4.75
	71	41.3	13.3	17.4	21.6	24.3	4.75

### CORRECTION FACTORS FOR OTHER AIRFLOWS (MULTIPLY DATA BY FACTOR)

AIRFLOW	TOTAL CAPACITY	SENSIBLE CAPACITY
LOW	1225	0.98
HIGH	1575	1.01

NOTE: ALL TABLES ABOVE ARE AT ARI RATING CONDITIONS RATED WITH 25 FEET OF REFRIGERANT LINES.  
 \* DRY COIL CONDITION (TOTAL CAPACITY = SENSIBLE CAPACITY)  
 TOTAL CAPACITY, COMP. KW AND APP. DEW PT. ARE VALID ONLY FOR WET COIL. ALL TEMPERATURES IN DEGREES F.

### CORRECTION FACTORS FOR OTHER COMBINATIONS (MULTIPLY DATA BY FACTOR)

INDOOR MODEL	CFM	MBTUH TOT	MBTUH SEN	SYST KW
4TEE3F37A1	RATED	1400	0.93	0.89
	LOW	1225	0.91	0.83
	HIGH	1575	0.94	0.94
4TEE3F49A1	RATED	1400	0.98	0.98
	LOW	1225	0.96	0.91
	HIGH	1575	0.99	1.04
4TEP3F42A1	RATED	1400	0.94	0.90
	LOW	1225	0.92	0.84
	HIGH	1575	0.95	0.96
4TEP3F48B1	RATED	1400	0.95	0.94
	LOW	1225	0.93	0.88
	HIGH	1575	0.96	1.00
RXC036S3	RATED	1400	0.95	0.92
	LOW	1225	0.93	0.86
	HIGH	1575	0.96	0.97
RXC037S3	RATED	1400	0.94	0.91
	LOW	1225	0.92	0.85
	HIGH	1575	0.95	0.97
RXC054S3	RATED	1400	0.94	0.92
	LOW	1225	0.92	0.86
	HIGH	1575	0.95	0.98
TDD080R9V3+RXC036S3	RATED	1400	0.94	0.92
	LOW	1225	0.92	0.86
	HIGH	1575	0.95	0.98
TDD080R9V3+TXH041A4+4AYTXVH-3	RATED	1400	0.94	0.91
	LOW	1225	0.92	0.85
	HIGH	1575	0.95	0.97
TDD080R9V3+TXH054A4+4AYTXVH-3	RATED	1400	0.96	0.94
	LOW	1225	0.95	0.88
	HIGH	1575	0.98	1.00
TDD100R9V5+RXC037S3	RATED	1400	0.95	0.94
	LOW	1225	0.93	0.88
	HIGH	1575	0.96	1.00

### CORRECTION FACTORS FOR OTHER COMBINATIONS (MULTIPLY DATA BY FACTOR)

INDOOR MODEL	CFM	MBTUH TOT	MBTUH SEN	SYST KW
TDD100R9V5+RXC054S3	RATED	1400	0.94	0.95
	LOW	1225	0.93	0.89
	HIGH	1575	0.96	1.01
TDD100R9V5+TXH041A4+4AYTXVH-3	RATED	1400	0.95	0.93
	LOW	1225	0.93	0.87
	HIGH	1575	0.96	0.99
TDD100R9V5+TXH054A4+4AYTXVH-3	RATED	1400	0.97	0.96
	LOW	1225	0.95	0.90
	HIGH	1575	0.98	1.01
TDD120R9V5+TXH041A4+4AYTXVH-3	RATED	1400	0.95	0.94
	LOW	1225	0.93	0.88
	HIGH	1575	0.96	1.00
TDD120R9V5+TXH054A4+4AYTXVH-3	RATED	1400	0.97	0.97
	LOW	1225	0.95	0.90
	HIGH	1575	0.98	1.02
TDY100R9V4+RXC037S3	RATED	1400	0.95	0.94
	LOW	1225	0.93	0.88
	HIGH	1575	0.96	1.00
TDY100R9V4+RXC054S3	RATED	1400	0.94	0.94
	LOW	1225	0.92	0.88
	HIGH	1575	0.95	1.00
TDY100R9V4+TXH041A4+4AYTXVH-3	RATED	1400	0.94	0.92
	LOW	1225	0.92	0.86
	HIGH	1575	0.95	0.97
TDY120R9V5+TXH041A4+4AYTXVH-3	RATED	1400	0.94	0.93
	LOW	1225	0.93	0.87
	HIGH	1575	0.95	0.99
TUD080R9V3+RXC036S3	RATED	1400	0.93	0.91
	LOW	1225	0.92	0.85
	HIGH	1575	0.95	0.96
TUD080R9V3+TXH041A4+4AYTXVH-3	RATED	1400	0.93	0.90
	LOW	1225	0.92	0.84
	HIGH	1575	0.94	0.95
TUD080R9V3+TXH054A4+4AYTXVH-3	RATED	1400	0.96	0.93
	LOW	1225	0.94	0.87
	HIGH	1575	0.97	0.98
TUD100R9V5+RXC037S3	RATED	1400	0.95	0.94
	LOW	1225	0.94	0.88
	HIGH	1575	0.97	1.00
TUD100R9V5+RXC054S3	RATED	1400	0.94	0.95
	LOW	1225	0.92	0.88
	HIGH	1575	0.95	1.01
TUD100R9V5+TXH041A4+4AYTXVH-3	RATED	1400	0.94	0.92
	LOW	1225	0.93	0.86
	HIGH	1575	0.95	0.98
TUD100R9V5+TXH054A4+4AYTXVH-3	RATED	1400	0.97	0.95
	LOW	1225	0.95	0.89
	HIGH	1575	0.98	1.01
TUD120R9V5+TXH041A4+4AYTXVH-3	RATED	1400	0.95	0.94
	LOW	1225	0.93	0.87
	HIGH	1575	0.96	1.00
TUD120R9V5+TXH054A4+4AYTXVH-3	RATED	1400	0.97	0.96
	LOW	1225	0.95	0.90
	HIGH	1575	0.98	1.02
TUD140R9V5+TXH041A4+4AYTXVH-3	RATED	1400	0.95	0.94
	LOW	1225	0.93	0.88
	HIGH	1575	0.96	1.00
TUD140R9V5+TXH054A4+4AYTXVH-3	RATED	1400	0.97	0.96
	LOW	1225	0.95	0.90
	HIGH	1575	0.98	1.02
TUY080R9V3+RXC036S3	RATED	1400	0.95	0.93
	LOW	1225	0.94	0.87
	HIGH	1575	0.96	0.99



# Performance Data Cooling

## 4TWR4042A1

**CORRECTION FACTORS FOR OTHER COMBINATIONS (MULTIPLY DATA BY FACTOR)**

INDOOR MODEL		CFM	MBTUH TOT	MBTUH SEN	SYST KW
TUY080R9V3+TXH041A4+4AYTXVH-3	RATED	1400	0.94	0.92	1.03
	LOW	1225	0.93	0.86	1.01
	HIGH	1575	0.95	0.98	1.04
TUY080R9V3+TXH054A4+4AYTXVH-3	RATED	1400	0.96	0.95	1.03
	LOW	1225	0.95	0.89	1.02
	HIGH	1575	0.98	1.01	1.05
TUY100R9V4+RXC037S3	RATED	1400	0.95	0.95	1.02
	LOW	1225	0.94	0.88	1.00
	HIGH	1575	0.97	1.01	1.03
TUY100R9V4+RXC054S3	RATED	1400	0.95	0.96	1.02
	LOW	1225	0.93	0.89	1.00
	HIGH	1575	0.97	1.02	1.03
TUY100R9V4+TXH041A4+4AYTXVH-3	RATED	1400	0.94	0.93	1.01
	LOW	1225	0.92	0.87	1.00
	HIGH	1575	0.95	0.99	1.03
TUY100R9V4+TXH054A4+4AYTXVH-3	RATED	1400	0.96	0.96	1.01
	LOW	1225	0.95	0.90	1.00
	HIGH	1575	0.98	1.01	1.02
TUY120R9V5+TXH041A4+4AYTXVH-3	RATED	1400	0.94	0.93	1.00
	LOW	1225	0.93	0.87	0.99
	HIGH	1575	0.95	0.99	1.02
TUY120R9V5+TXH054A4+4AYTXVH-3	RATED	1400	0.97	0.96	1.01
	LOW	1225	0.95	0.90	1.00
	HIGH	1575	0.98	1.02	1.03
TWE048C14+4AYTXVH-3	RATED	1400	0.94	0.90	1.06
	LOW	1225	0.92	0.84	1.04
	HIGH	1575	0.95	0.95	1.08
TXA036C4+4AYTXVH-3	RATED	1400	0.91	0.87	1.05
	LOW	1225	0.89	0.81	1.03
	HIGH	1575	0.92	0.92	1.07
TXA037C4+4AYTXVH-3	RATED	1400	0.91	0.87	1.06
	LOW	1225	0.90	0.81	1.04
	HIGH	1575	0.92	0.92	1.07
TXA042C4+4AYTXVH-3	RATED	1400	0.92	0.88	1.05
	LOW	1225	0.90	0.83	1.04
	HIGH	1575	0.93	0.94	1.07
TXA043C4+4AYTXVH-3	RATED	1400	0.91	0.88	1.05
	LOW	1225	0.90	0.82	1.03
	HIGH	1575	0.92	0.94	1.06

**CORRECTION FACTORS FOR OTHER COMBINATIONS (MULTIPLY DATA BY FACTOR)**

INDOOR MODEL		CFM	MBTUH TOT	MBTUH SEN	SYST KW
TXA048C4+4AYTXVH-3	RATED	1400	0.93	0.91	1.05
	LOW	1225	0.91	0.85	1.03
	HIGH	1575	0.94	0.97	1.07
TXA049C4+4AYTXVH-3	RATED	1400	0.92	0.91	1.05
	LOW	1225	0.91	0.85	1.03
	HIGH	1575	0.94	0.96	1.07
TXA050C4+4AYTXVH-3	RATED	1400	0.92	0.91	1.05
	LOW	1225	0.91	0.85	1.03
	HIGH	1575	0.94	0.96	1.07
TXC036C4+4AYTXVH-3	RATED	1400	0.91	0.87	1.05
	LOW	1225	0.89	0.81	1.03
	HIGH	1575	0.92	0.92	1.07
TXC036D4+4AYTXVH-3	RATED	1400	0.91	0.87	1.05
	LOW	1225	0.89	0.81	1.03
	HIGH	1575	0.92	0.92	1.07
TXC037C4+4AYTXVH-3	RATED	1400	0.91	0.87	1.06
	LOW	1225	0.90	0.81	1.04
	HIGH	1575	0.92	0.92	1.07
TXC042C4+4AYTXVH-3	RATED	1400	0.92	0.88	1.05
	LOW	1225	0.90	0.83	1.04
	HIGH	1575	0.93	0.94	1.07
TXC043C4+4AYTXVH-3	RATED	1400	0.91	0.88	1.05
	LOW	1225	0.90	0.82	1.03
	HIGH	1575	0.92	0.94	1.06
TXC048C4+4AYTXVH-3	RATED	1400	0.93	0.91	1.05
	LOW	1225	0.91	0.85	1.03
	HIGH	1575	0.94	0.97	1.07
TXC049C4+4AYTXVH-3	RATED	1400	0.92	0.91	1.05
	LOW	1225	0.91	0.85	1.03
	HIGH	1575	0.94	0.96	1.07
TXC050C4+4AYTXVH-3	RATED	1400	0.92	0.91	1.05
	LOW	1225	0.91	0.85	1.03
	HIGH	1575	0.94	0.96	1.07
TXH041A4+4AYTXVH-3	RATED	1400	0.94	0.90	1.06
	LOW	1225	0.92	0.84	1.04
	HIGH	1575	0.95	0.95	1.08
TXH054A4+4AYTXVH-3	RATED	1400	0.96	0.93	1.06
	LOW	1225	0.94	0.87	1.04
	HIGH	1575	0.97	0.98	1.08



# Performance Data Cooling

## 4TWR4048A1

### 4TWR4048A1 WITH 4TEE3F49A1 AT 1600 CFM

O.D. D.B.	I.D. W.B.	TOT. CAP.	SENS. CAP. AT ENTERING D.B. TEMP.				TOTAL KW
			72	75	78	80	
85	59	48.0	37.5	41.9	46.3	48.0	3.88
	63	49.7	30.8	35.4	40.0	42.9	3.89
	67	53.0	24.5	29.2	33.8	36.9	3.94
	71	56.7	18.1	22.7	27.4	30.5	3.95
95	59	46.3	36.9	41.3	45.7	46.3	4.40
	63	47.9	30.3	34.8	39.4	42.3	4.42
	67	51.1	23.8	28.5	33.2	36.2	4.47
	71	54.6	17.4	22.0	26.8	29.9	4.48
105	59	44.0	36.1	40.5	44.0	44.0	4.97
	63	45.6	29.4	34.0	38.6	41.5	4.99
	67	48.6	23.0	27.7	32.4	35.4	5.05
	71	51.9	16.5	21.2	25.9	29.1	5.06
115	59	40.8	34.9	39.3	40.8	40.8	5.60
	63	42.3	28.3	32.9	37.4	40.4	5.62
	67	45.1	21.8	26.6	31.3	34.3	5.69
	71	48.2	15.3	20.0	24.8	27.9	5.70

#### CORRECTION FACTORS FOR OTHER AIRFLOWS (MULTIPLY DATA BY FACTOR)

AIRFLOW	TOTAL CAPACITY	SENSIBLE CAPACITY
LOW	1400	0.98
HIGH	1800	1.01

NOTE: ALL TABLES ABOVE ARE AT ARI RATING CONDITIONS RATED WITH 25 FEET OF REFRIGERANT LINES.  
 \* DRY COIL CONDITION (TOTAL CAPACITY = SENSIBLE CAPACITY)  
 TOTAL CAPACITY, COMP. KW AND APP. DEW PT. ARE VALID ONLY FOR WET COIL. ALL TEMPERATURES IN DEGREES F.

#### CORRECTION FACTORS FOR OTHER COMBINATIONS (MULTIPLY DATA BY FACTOR)

INDOOR MODEL	CFM	MBTUH TOT	MBTUH SEN	SYST KW
4TEP3F42A1	RATED	1600	0.92	0.89
	LOW	1400	0.91	0.83
	HIGH	1800	0.93	0.94
4TEP3F48B1	RATED	1600	0.94	0.95
	LOW	1400	0.93	0.88
	HIGH	1800	0.96	1.00
4TEP3F63B1	RATED	1600	0.94	0.94
	LOW	1400	0.93	0.88
	HIGH	1800	0.96	1.00
RXA060S3	RATED	1600	0.92	0.93
	LOW	1400	0.91	0.87
	HIGH	1800	0.94	0.99
RXA061S3	RATED	1600	0.94	0.94
	LOW	1400	0.93	0.88
	HIGH	1800	0.96	1.00
RXC054S3	RATED	1600	0.91	0.91
	LOW	1400	0.91	0.86
	HIGH	1800	0.94	0.98
RXC060S3	RATED	1600	0.92	0.93
	LOW	1400	0.91	0.87
	HIGH	1800	0.94	0.99
RXC061S3	RATED	1600	0.94	0.94
	LOW	1400	0.93	0.88
	HIGH	1800	0.96	1.00
RXC065S3	RATED	1600	0.94	0.95
	LOW	1400	0.93	0.89
	HIGH	1800	0.96	1.01
RXH063S3	RATED	1600	0.97	0.96
	LOW	1400	0.96	0.90
	HIGH	1800	0.99	1.01
TDD100R9V5+RXC037S3	RATED	1600	0.94	0.92
	LOW	1400	0.93	0.87
	HIGH	1800	0.95	0.98

#### CORRECTION FACTORS FOR OTHER COMBINATIONS (MULTIPLY DATA BY FACTOR)

INDOOR MODEL	CFM	MBTUH TOT	MBTUH SEN	SYST KW
TDD100R9V5+RXC054S3	RATED	1600	0.93	0.93
	LOW	1400	0.92	0.87
	HIGH	1800	0.94	0.99
TDD100R9V5+RXH063S3	RATED	1600	0.98	0.98
	LOW	1400	0.96	0.92
	HIGH	1800	0.99	1.04
TDD100R9V5+TXH041A4+4AYTXVH-3	RATED	1600	0.93	0.91
	LOW	1400	0.92	0.85
	HIGH	1800	0.94	0.96
TDD100R9V5+TXH054A4+4AYTXVH-3	RATED	1600	0.95	0.93
	LOW	1400	0.94	0.88
	HIGH	1800	0.96	0.99
TDD120R9V5+RXH063S3	RATED	1600	0.98	0.99
	LOW	1400	0.97	0.93
	HIGH	1800	1.00	1.05
TDD120R9V5+TXH041A4+4AYTXVH-3	RATED	1600	0.93	0.92
	LOW	1400	0.92	0.86
	HIGH	1800	0.94	0.97
TDD120R9V5+TXH054A4+4AYTXVH-3	RATED	1600	0.96	0.95
	LOW	1400	0.94	0.89
	HIGH	1800	0.97	1.00
TDY100R9V4+RXC037S3	RATED	1600	0.94	0.91
	LOW	1400	0.92	0.85
	HIGH	1800	0.95	0.97
TDY100R9V4+RXC054S3	RATED	1600	0.93	0.92
	LOW	1400	0.91	0.86
	HIGH	1800	0.94	0.98
TDY100R9V4+RXH063S3	RATED	1600	0.98	0.97
	LOW	1400	0.96	0.91
	HIGH	1800	0.99	1.02
TDY100R9V4+TXH041A4+4AYTXVH-3	RATED	1600	0.93	0.89
	LOW	1400	0.91	0.84
	HIGH	1800	0.94	0.95
TDY100R9V4+TXH054A4+4AYTXVH-3	RATED	1600	0.95	0.92
	LOW	1400	0.94	0.87
	HIGH	1800	0.97	0.98
TDY120R9V5+RXH063S3	RATED	1600	0.98	0.98
	LOW	1400	0.96	0.92
	HIGH	1800	0.99	1.04
TDY120R9V5+TXH041A4+4AYTXVH-3	RATED	1600	0.93	0.91
	LOW	1400	0.91	0.85
	HIGH	1800	0.94	0.96
TDY120R9V5+TXH054A4+4AYTXVH-3	RATED	1600	0.96	0.94
	LOW	1400	0.94	0.88
	HIGH	1800	0.97	0.99
TUD100R9V5+RXC037S3	RATED	1600	0.94	0.92
	LOW	1400	0.92	0.86
	HIGH	1800	0.95	0.97
TUD100R9V5+RXC054S3	RATED	1600	0.93	0.93
	LOW	1400	0.91	0.87
	HIGH	1800	0.94	0.99
TUD100R9V5+RXH063S3	RATED	1600	0.98	0.97
	LOW	1400	0.96	0.91
	HIGH	1800	0.99	1.03
TUD100R9V5+TXH041A4+4AYTXVH-3	RATED	1600	0.93	0.90
	LOW	1400	0.91	0.85
	HIGH	1800	0.94	0.96
TUD100R9V5+TXH054A4+4AYTXVH-3	RATED	1600	0.95	0.93
	LOW	1400	0.93	0.87
	HIGH	1800	0.96	0.98
TUD120R9V5+RXC065S3	RATED	1600	0.95	0.98
	LOW	1400	0.93	0.91
	HIGH	1800	0.96	1.04





# Performance Data Cooling

## 4TWR4048A1

**CORRECTION FACTORS FOR OTHER COMBINATIONS (MULTIPLY DATA BY FACTOR)**

INDOOR MODEL		CFM	MBTUH TOT	MBTUH SEN	SYST KW
TUD120R9V5+RXH063S3	RATED	1600	0.98	0.98	1.00
	LOW	1400	0.96	0.92	0.98
	HIGH	1800	1.00	1.04	1.01
TUD120R9V5+TXH041A4+4AYTXVH-3	RATED	1600	0.93	0.91	1.00
	LOW	1400	0.92	0.86	0.98
	HIGH	1800	0.94	0.97	1.01
TUD120R9V5+TXH054A4+4AYTXVH-3	RATED	1600	0.96	0.94	1.01
	LOW	1400	0.95	0.89	0.99
	HIGH	1800	0.97	1.00	1.02
TUD140R9V5+RXC065S3	RATED	1600	0.95	0.98	1.00
	LOW	1400	0.94	0.91	0.99
	HIGH	1800	0.97	1.04	1.02
TUD140R9V5+RXH063S3	RATED	1600	0.98	0.99	1.00
	LOW	1400	0.97	0.92	0.98
	HIGH	1800	1.00	1.05	1.01
TUD140R9V5+TXH041A4+4AYTXVH-3	RATED	1600	0.93	0.92	1.00
	LOW	1400	0.92	0.86	0.98
	HIGH	1800	0.95	0.97	1.01
TUD140R9V5+TXH054A4+4AYTXVH-3	RATED	1600	0.95	0.94	1.00
	LOW	1400	0.94	0.88	0.99
	HIGH	1800	0.97	0.99	1.02
TUY100R9V4+RXC037S3	RATED	1600	0.94	0.92	1.02
	LOW	1400	0.92	0.86	1.00
	HIGH	1800	0.95	0.98	1.04
TUY100R9V4+RXC054S3	RATED	1600	0.93	0.93	1.01
	LOW	1400	0.91	0.87	0.99
	HIGH	1800	0.94	0.99	1.03
TUY100R9V4+RXH063S3	RATED	1600	0.98	0.97	1.01
	LOW	1400	0.96	0.91	0.99
	HIGH	1800	0.99	1.03	1.03
TUY100R9V4+TXH041A4+4AYTXVH-3	RATED	1600	0.93	0.90	1.01
	LOW	1400	0.91	0.85	0.99
	HIGH	1800	0.94	0.96	1.03
TUY100R9V4+TXH054A4+4AYTXVH-3	RATED	1600	0.96	0.93	1.02
	LOW	1400	0.94	0.88	1.01
	HIGH	1800	0.97	0.99	1.04
TUY120R9V5+RXC065S3	RATED	1600	0.95	0.97	1.00
	LOW	1400	0.93	0.91	0.99
	HIGH	1800	0.96	1.03	1.02
TUY120R9V5+RXH063S3	RATED	1600	0.98	0.98	1.00
	LOW	1400	0.96	0.92	0.98
	HIGH	1800	1.00	1.04	1.01
TUY120R9V5+TXH041A4+4AYTXVH-3	RATED	1600	0.93	0.91	1.00
	LOW	1400	0.91	0.85	0.99
	HIGH	1800	0.94	0.97	1.02

**CORRECTION FACTORS FOR OTHER COMBINATIONS (MULTIPLY DATA BY FACTOR)**

INDOOR MODEL		CFM	MBTUH TOT	MBTUH SEN	SYST KW
TUY120R9V5+TXH054A4+4AYTXVH-3	RATED	1600	0.96	0.94	1.00
	LOW	1400	0.94	0.88	0.99
	HIGH	1800	0.97	1.00	1.02
TWE048C14+4AYTXVH-3	RATED	1600	0.92	0.89	1.04
	LOW	1400	0.91	0.83	1.02
	HIGH	1800	0.94	0.94	1.06
TXA042C4+4AYTXVH-3	RATED	1600	0.90	0.87	1.02
	LOW	1400	0.89	0.82	1.00
	HIGH	1800	0.91	0.93	1.04
TXA043C4+4AYTXVH-3	RATED	1600	0.90	0.87	1.03
	LOW	1400	0.89	0.82	1.01
	HIGH	1800	0.92	0.93	1.04
TXA048C4+4AYTXVH-3	RATED	1600	0.92	0.90	1.03
	LOW	1400	0.90	0.84	1.01
	HIGH	1800	0.93	0.96	1.05
TXA049C4+4AYTXVH-3	RATED	1600	0.92	0.91	1.04
	LOW	1400	0.91	0.85	1.02
	HIGH	1800	0.94	0.96	1.06
TXA050C4+4AYTXVH-3	RATED	1600	0.92	0.91	1.04
	LOW	1400	0.91	0.85	1.02
	HIGH	1800	0.94	0.96	1.06
TXC042C4+4AYTXVH-3	RATED	1600	0.90	0.87	1.02
	LOW	1400	0.89	0.82	1.00
	HIGH	1800	0.91	0.93	1.04
TXC043C4+4AYTXVH-3	RATED	1600	0.90	0.87	1.03
	LOW	1400	0.89	0.82	1.01
	HIGH	1800	0.92	0.93	1.04
TXC048C4+4AYTXVH-3	RATED	1600	0.92	0.90	1.03
	LOW	1400	0.90	0.84	1.01
	HIGH	1800	0.93	0.96	1.05
TXC049C4+4AYTXVH-3	RATED	1600	0.92	0.91	1.04
	LOW	1400	0.91	0.85	1.02
	HIGH	1800	0.94	0.96	1.06
TXC050C4+4AYTXVH-3	RATED	1600	0.92	0.91	1.04
	LOW	1400	0.91	0.85	1.02
	HIGH	1800	0.94	0.96	1.06
TXH041A4+4AYTXVH-3	RATED	1600	0.92	0.89	1.03
	LOW	1400	0.91	0.83	1.01
	HIGH	1800	0.94	0.94	1.05
TXH054A4+4AYTXVH-3	RATED	1600	0.95	0.92	1.04
	LOW	1400	0.94	0.87	1.02
	HIGH	1800	0.96	0.98	1.06





# Performance Data Cooling

## 4TWR4060A1

### 4TWR4060A1 WITH 4TEE3F65A1 AT 2000 CFM

O.D. D.B.	I.D. W.B.	TOT. CAP.	SENS. CAP. AT ENTERING D.B. TEMP.				TOTAL KW
			72	75	78	80	
85	59	58.1	45.2	50.6	55.9	58.1	5.16
	63	59.7	37.0	42.6	48.1	51.7	5.19
	67	63.6	29.2	34.9	40.6	44.4	5.27
	71	68.0	21.4	27.0	32.8	36.7	5.31
95	59	55.6	44.3	49.8	55.1	55.6	5.85
	63	57.1	36.1	41.8	47.3	50.9	5.88
	67	60.9	28.3	34.1	39.8	43.6	5.97
	71	65.2	20.4	26.1	32.0	35.8	6.02
105	59	52.5	43.3	48.7	52.5	52.5	6.58
	63	54.0	35.1	40.8	46.3	49.9	6.61
	67	57.5	27.2	33.0	38.7	42.5	6.71
	71	61.6	19.2	25.0	30.9	34.8	6.77
115	59	48.7	42.0	47.4	48.7	48.7	7.34
	63	50.0	33.8	39.5	45.0	48.6	7.38
	67	53.3	25.8	31.7	37.4	41.2	7.49
	71	57.1	17.8	23.6	29.5	33.4	7.56

### CORRECTION FACTORS FOR OTHER COMBINATIONS (MULTIPLY DATA BY FACTOR)

INDOOR MODEL		CFM	CORRECTION FACTORS		
			MBTUH TOT	MBTUH SEN	SYST KW
4TEE3F49A1	RATED	2000	0.97	0.95	1.01
	LOW	1750	0.96	0.89	0.99
	HIGH	2250	0.98	1.01	1.03
RXA061S3	RATED	2000	0.94	0.94	1.00
	LOW	1750	0.93	0.89	0.99
	HIGH	2250	0.95	1.00	1.02
RXC061S3	RATED	2000	0.94	0.94	1.00
	LOW	1750	0.93	0.89	0.99
	HIGH	2250	0.95	1.00	1.02
RXH063S3	RATED	2000	0.99	0.97	0.98
	LOW	1750	0.97	0.91	0.97
	HIGH	2250	1.00	1.02	1.00
TXH054A4+4AYTXVH-3	RATED	2000	0.96	0.92	1.01
	LOW	1750	0.94	0.87	0.99
	HIGH	2250	0.97	0.97	1.03

### CORRECTION FACTORS FOR OTHER AIRFLOWS (MULTIPLY DATA BY FACTOR)

	AIRFLOW	TOTAL CAPACITY	SENSIBLE CAPACITY
LOW	1750	0.98	0.94
HIGH	2250	1.01	1.06

NOTE: ALL TABLES ABOVE ARE AT ARI RATING CONDITIONS RATED WITH 25 FEET OF REFRIGERANT LINES.  
 \* DRY COIL CONDITION (TOTAL CAPACITY = SENSIBLE CAPACITY)  
 TOTAL CAPACITY, COMP. KW AND APP. DEW PT. ARE VALID ONLY FOR WET COIL. ALL TEMPERATURES IN DEGREES F.



# Performance Data Heating

## 4TWR4024A1

### 4TWR4024A1 WITH 4TEE3F31A1 AT 800 CFM

O.D. TEMP. F.	HEATING CAPACITY MBH AT INDOOR DRY BULB TEMP.			TOTAL POWER IN KILOWATTS AT INDOOR DRY BULB TEMP.		
	70	75	80	70	75	80
2	8.2	8.1	8.0	1.53	1.57	1.62
7	9.7	9.6	9.5	1.56	1.61	1.65
12	11.1	11.0	10.9	1.59	1.64	1.69
17	12.6	12.5	12.4	1.63	1.68	1.72
22	13.7	13.5	13.4	1.65	1.70	1.75
27	14.7	14.6	14.5	1.68	1.73	1.78
32	15.8	15.7	15.5	1.71	1.76	1.81
37	17.3	17.1	17.0	1.74	1.80	1.85
42	19.3	19.1	19.0	1.79	1.84	1.89
47	21.4	21.2	21.0	1.83	1.89	1.94
52	22.9	22.6	22.4	1.86	1.92	1.98
57	24.3	24.1	23.9	1.90	1.96	2.01
62	25.8	25.5	25.3	1.93	1.99	2.05
67	27.3	27.0	26.7	1.97	2.03	2.08
72	28.7	28.4	28.2	2.00	2.06	2.12

#### CORRECTION FACTORS FOR OTHER AIRFLOWS (MULTIPLY DATA BY FACTOR)

AIRFLOW	TOTAL CAPACITY	SENSIBLE CAPACITY
LOW	700	0.98
HIGH	900	1.01

NOTE: ALL TABLES ABOVE ARE AT ARI RATING CONDITIONS RATED WITH 25 FEET OF REFRIGERANT LINES.

#### CORRECTION FACTORS FOR OTHER COMBINATIONS (MULTIPLY DATA BY FACTOR)

INDOOR MODEL	CFM	MBTUH TOT	SYST KW
4TEE3F37A1	RATED	800	0.96
	LOW	700	0.95
	HIGH	900	0.97
4TEE3F40A1	RATED	800	1.00
	LOW	700	0.99
	HIGH	900	1.02
4TEP3F18A1	RATED	800	0.95
	LOW	700	0.94
	HIGH	900	0.96
4TEP3F24A1	RATED	800	0.98
	LOW	700	0.96
	HIGH	900	0.99
4TEP3F30A1	RATED	800	0.98
	LOW	700	0.96
	HIGH	900	0.99
4TEP3F36A1	RATED	800	0.99
	LOW	700	0.97
	HIGH	900	1.00
RXC031S3	RATED	800	1.00
	LOW	700	0.98
	HIGH	900	1.01
RXC036S3	RATED	800	1.01
	LOW	700	1.00
	HIGH	900	1.02
RXC037S3	RATED	800	1.01
	LOW	700	1.00
	HIGH	900	1.02
TDD060R9V3+RXC031S3	RATED	800	0.96
	LOW	700	0.95
	HIGH	900	0.97
TDD060R9V3+RXC036S3	RATED	800	0.98
	LOW	700	0.96
	HIGH	900	0.99
TDD060R9V3+TXH033A4+4AYTXVH-3	RATED	800	0.96
	LOW	700	0.95
	HIGH	900	0.97

#### CORRECTION FACTORS FOR OTHER COMBINATIONS (MULTIPLY DATA BY FACTOR)

INDOOR MODEL	CFM	MBTUH TOT	SYST KW
TDD080R9V3+RXC031S3	RATED	800	0.96
	LOW	700	0.95
	HIGH	900	0.97
TDD080R9V3+RXC036S3	RATED	800	0.98
	LOW	700	0.96
	HIGH	900	0.99
TDD080R9V3+TXH033A4+4AYTXVH-3	RATED	800	0.96
	LOW	700	0.95
	HIGH	900	0.97
TDY060R9V3+RXC031S3	RATED	800	0.94
	LOW	700	0.93
	HIGH	900	0.95
TDY060R9V3+RXC036S3	RATED	800	0.96
	LOW	700	0.95
	HIGH	900	0.97
TDY060R9V3+TXH033A4+4AYTXVH-3	RATED	800	0.94
	LOW	700	0.93
	HIGH	900	0.95
TDY080R9V3+RXC031S3	RATED	800	0.94
	LOW	700	0.93
	HIGH	900	0.95
TDY080R9V3+RXC036S3	RATED	800	0.96
	LOW	700	0.95
	HIGH	900	0.97
TDY080R9V3+TXH033A4+4AYTXVH-3	RATED	800	0.94
	LOW	700	0.93
	HIGH	900	0.95
TUD060R9V3+RXC031S3	RATED	800	0.97
	LOW	700	0.95
	HIGH	900	0.98
TUD060R9V3+RXC036S3	RATED	800	0.99
	LOW	700	0.97
	HIGH	900	1.00
TUD060R9V3+TXH033A4+4AYTXVH-3	RATED	800	0.97
	LOW	700	0.95
	HIGH	900	0.98
TUD080R9V3+RXC031S3	RATED	800	0.97
	LOW	700	0.95
	HIGH	900	0.98
TUD080R9V3+RXC036S3	RATED	800	0.99
	LOW	700	0.97
	HIGH	900	1.00
TUD080R9V3+TXH033A4+4AYTXVH-3	RATED	800	0.97
	LOW	700	0.95
	HIGH	900	0.98
TUY060R9V3+RXC031S3	RATED	800	0.94
	LOW	700	0.93
	HIGH	900	0.95
TUY060R9V3+RXC036S3	RATED	800	0.96
	LOW	700	0.95
	HIGH	900	0.97
TUY060R9V3+TXH033A4+4AYTXVH-3	RATED	800	0.94
	LOW	700	0.93
	HIGH	900	0.95
TUY080R9V3+RXC031S3	RATED	800	0.94
	LOW	700	0.93
	HIGH	900	0.95
TUY080R9V3+RXC036S3	RATED	800	0.96
	LOW	700	0.95
	HIGH	900	0.97
TUY080R9V3+TXH033A4+4AYTXVH-3	RATED	800	0.94
	LOW	700	0.93
	HIGH	900	0.95



# Performance Data Heating

## 4TWR4024A1

CORRECTION FACTORS FOR OTHER COMBINATIONS (MULTIPLY DATA BY FACTOR)

INDOOR MODEL		CFM	MBTUH TOT	SYST KW
TWE030C14+4AYTXVH-3	RATED	800	0.96	1.04
	LOW	700	0.95	1.01
	HIGH	900	0.97	1.07
TWE036C14+4AYTXVH-3	RATED	800	0.97	1.03
	LOW	700	0.95	1.01
	HIGH	900	0.98	1.06
TXA025C4+4AYTXVH-3	RATED	800	0.96	1.04
	LOW	700	0.95	1.01
	HIGH	900	0.97	1.07
TXA030C4+4AYTXVH-3	RATED	800	0.97	1.05
	LOW	700	0.95	1.02
	HIGH	900	0.98	1.08
TXA031C4+4AYTXVH-3	RATED	800	0.98	1.06
	LOW	700	0.96	1.03
	HIGH	900	0.99	1.09
TXA035C4+4AYTXVH-3	RATED	800	0.97	1.05
	LOW	700	0.95	1.02
	HIGH	900	0.98	1.08
TXA036C4+4AYTXVH-3	RATED	800	0.98	1.04
	LOW	700	0.96	1.02
	HIGH	900	0.99	1.07
TXA037C4+4AYTXVH-3	RATED	800	0.98	1.04
	LOW	700	0.96	1.02
	HIGH	900	0.99	1.07
TXC025C4+4AYTXVH-3	RATED	800	0.96	1.04
	LOW	700	0.95	1.01
	HIGH	900	0.97	1.07
TXC025D4+4AYTXVH-3	RATED	800	0.96	1.04
	LOW	700	0.95	1.01
	HIGH	900	0.97	1.07

CORRECTION FACTORS FOR OTHER COMBINATIONS (MULTIPLY DATA BY FACTOR)

INDOOR MODEL		CFM	MBTUH TOT	SYST KW
TXC030C4+4AYTXVH-3	RATED	800	0.97	1.05
	LOW	700	0.95	1.02
	HIGH	900	0.98	1.08
TXC030D4+4AYTXVH-3	RATED	800	0.97	1.05
	LOW	700	0.95	1.02
	HIGH	900	0.98	1.08
TXC031C4+4AYTXVH-3	RATED	800	0.98	1.06
	LOW	700	0.96	1.03
	HIGH	900	0.99	1.09
TXC031D4+4AYTXVH-3	RATED	800	0.98	1.06
	LOW	700	0.96	1.03
	HIGH	900	0.99	1.09
TXC035C4+4AYTXVH-3	RATED	800	0.97	1.05
	LOW	700	0.95	1.02
	HIGH	900	0.98	1.08
TXC035D4+4AYTXVH-3	RATED	800	0.97	1.05
	LOW	700	0.95	1.02
	HIGH	900	0.98	1.08
TXC036C4+4AYTXVH-3	RATED	800	0.98	1.04
	LOW	700	0.96	1.02
	HIGH	900	0.99	1.07
TXC036D4+4AYTXVH-3	RATED	800	0.98	1.04
	LOW	700	0.96	1.02
	HIGH	900	0.99	1.07
TXC037C4+4AYTXVH-3	RATED	800	0.98	1.04
	LOW	700	0.96	1.02
	HIGH	900	0.99	1.07
TXH033A4+4AYTXVH-3	RATED	800	0.99	1.05
	LOW	700	0.97	1.03
	HIGH	900	1.00	1.08

## 4TWR4030A1

### 4TWR4030A1 WITH 4TEE3F31A1 AT 1000 CFM

O.D. TEMP. F.	HEATING CAPACITY MBH AT INDOOR DRY BULB TEMP.			TOTAL POWER IN KILOWATTS AT INDOOR DRY BULB TEMP.		
	70	75	80	70	75	80
2	13.8	13.7	13.5	2.28	2.35	2.42
7	15.3	15.1	15.0	2.29	2.36	2.42
12	16.7	16.6	16.4	2.29	2.36	2.43
17	18.2	18.0	17.9	2.30	2.37	2.44
22	19.3	19.1	18.9	2.31	2.38	2.45
27	20.3	20.1	19.9	2.32	2.39	2.46
32	21.4	21.2	21.0	2.33	2.39	2.46
37	22.9	22.6	22.4	2.33	2.40	2.47
42	24.9	24.7	24.5	2.34	2.41	2.48
47	27.0	26.7	26.5	2.34	2.41	2.48
52	28.5	28.2	27.9	2.35	2.42	2.49
57	29.9	29.6	29.4	2.36	2.43	2.50
62	31.4	31.1	30.8	2.37	2.44	2.51
67	32.9	32.5	32.2	2.37	2.44	2.52
72	34.3	34.0	33.7	2.38	2.45	2.52

CORRECTION FACTORS FOR OTHER AIRFLOWS (MULTIPLY DATA BY FACTOR)

AIRFLOW	TOTAL CAPACITY	SENSIBLE CAPACITY
LOW	875	0.97
HIGH	1125	1.01

CORRECTION FACTORS FOR OTHER COMBINATIONS (MULTIPLY DATA BY FACTOR)

INDOOR MODEL		CFM	MBTUH TOT	SYST KW
4TEE3F37A1	RATED	1000	0.97	0.94
	LOW	875	0.95	0.92
	HIGH	1125	0.98	0.97
4TEE3F40A1	RATED	1000	1.00	0.96
	LOW	875	0.99	0.94
	HIGH	1125	1.01	0.99
4TEP3F24A1	RATED	1000	0.94	0.98
	LOW	875	0.93	0.95
	HIGH	1125	0.95	1.00
4TEP3F30A1	RATED	1000	0.99	1.04
	LOW	875	0.97	1.01
	HIGH	1125	1.00	1.07
4TEP3F36A1	RATED	1000	0.99	1.04
	LOW	875	0.97	1.01
	HIGH	1125	1.00	1.07
4TEP3F42A1	RATED	1000	1.01	1.05
	LOW	875	1.00	1.02
	HIGH	1125	1.02	1.07
RXC031S3	RATED	1000	1.00	1.03
	LOW	875	0.98	1.01
	HIGH	1125	1.01	1.06

NOTE: ALL TABLES ABOVE ARE AT ARI RATING CONDITIONS RATED WITH 25 FEET OF REFRIGERANT LINES.



# Performance Data Heating

## 4TWR4030A1

**CORRECTION FACTORS FOR OTHER COMBINATIONS (MULTIPLY DATA BY FACTOR)**

INDOOR MODEL		CFM	MBTUH TOT	SYST KW
RXC036S3	RATED	1000	1.01	1.05
	LOW	875	1.00	1.02
	HIGH	1125	1.02	1.07
RXC037S3	RATED	1000	1.01	1.05
	LOW	875	1.00	1.02
	HIGH	1125	1.02	1.07
TDD060R9V3+RXC031S3	RATED	1000	0.97	0.96
	LOW	875	0.96	0.94
	HIGH	1125	0.98	0.99
TDD060R9V3+RXC036S3	RATED	1000	0.99	0.98
	LOW	875	0.97	0.95
	HIGH	1125	1.00	1.00
TDD060R9V3+TXH033A4+4AYTXVH-3	RATED	1000	0.97	0.96
	LOW	875	0.95	0.93
	HIGH	1125	0.98	0.98
TDD060R9V3+TXH041A4+4AYTXVH-3	RATED	1000	0.98	0.96
	LOW	875	0.97	0.93
	HIGH	1125	0.99	0.98
TDD080R9V3+RXC031S3	RATED	1000	0.97	0.96
	LOW	875	0.95	0.94
	HIGH	1125	0.98	0.98
TDD080R9V3+RXC036S3	RATED	1000	0.98	0.96
	LOW	875	0.97	0.94
	HIGH	1125	0.99	0.98
TDD080R9V3+TXH033A4+4AYTXVH-3	RATED	1000	0.96	0.95
	LOW	875	0.95	0.93
	HIGH	1125	0.97	0.98
TDD080R9V3+TXH041A4+4AYTXVH-3	RATED	1000	0.97	0.95
	LOW	875	0.96	0.93
	HIGH	1125	0.98	0.98
TDY060R9V3+RXC031S3	RATED	1000	0.95	0.95
	LOW	875	0.94	0.93
	HIGH	1125	0.96	0.98
TDY060R9V3+RXC036S3	RATED	1000	0.97	0.95
	LOW	875	0.95	0.93
	HIGH	1125	0.98	0.98
TDY060R9V3+TXH033A4+4AYTXVH-3	RATED	1000	0.94	0.94
	LOW	875	0.93	0.92
	HIGH	1125	0.95	0.97
TDY060R9V3+TXH041A4+4AYTXVH-3	RATED	1000	0.96	0.94
	LOW	875	0.95	0.92
	HIGH	1125	0.97	0.97
TDY080R9V3+RXC031S3	RATED	1000	0.96	0.97
	LOW	875	0.95	0.95
	HIGH	1125	0.97	1.00
TDY080R9V3+RXC036S3	RATED	1000	0.97	0.97
	LOW	875	0.96	0.95
	HIGH	1125	0.98	1.00
TDY080R9V3+TXH033A4+4AYTXVH-3	RATED	1000	0.95	0.97
	LOW	875	0.94	0.94
	HIGH	1125	0.96	0.99
TDY080R9V3+TXH041A4+4AYTXVH-3	RATED	1000	0.97	0.97
	LOW	875	0.95	0.94
	HIGH	1125	0.98	0.99
TUD060R9V3+RXC031S3	RATED	1000	0.99	0.99
	LOW	875	0.97	0.96
	HIGH	1125	1.00	1.01
TUD060R9V3+RXC036S3	RATED	1000	1.00	0.99
	LOW	875	0.99	0.96
	HIGH	1125	1.01	1.01
TUD060R9V3+TXH033A4+4AYTXVH-3	RATED	1000	0.97	0.98
	LOW	875	0.96	0.95
	HIGH	1125	0.98	1.00

**CORRECTION FACTORS FOR OTHER COMBINATIONS (MULTIPLY DATA BY FACTOR)**

INDOOR MODEL		CFM	MBTUH TOT	SYST KW
TUD060R9V3+TXH041A4+4AYTXVH-3	RATED	1000	0.99	0.98
	LOW	875	0.97	0.95
	HIGH	1125	1.00	1.00
TUD080R9V3+RXC031S3	RATED	1000	0.97	0.96
	LOW	875	0.96	0.94
	HIGH	1125	0.98	0.99
TUD080R9V3+RXC036S3	RATED	1000	1.00	0.99
	LOW	875	0.98	0.96
	HIGH	1125	1.01	1.01
TUD080R9V3+TXH033A4+4AYTXVH-3	RATED	1000	0.97	0.95
	LOW	875	0.95	0.93
	HIGH	1125	0.98	0.98
TUD080R9V3+TXH041A4+4AYTXVH-3	RATED	1000	0.98	0.97
	LOW	875	0.97	0.95
	HIGH	1125	0.99	0.99
TUY060R9V3+RXC031S3	RATED	1000	0.96	0.96
	LOW	875	0.95	0.93
	HIGH	1125	0.97	0.98
TUY060R9V3+RXC036S3	RATED	1000	0.97	0.97
	LOW	875	0.96	0.95
	HIGH	1125	0.98	1.00
TUY060R9V3+TXH033A4+4AYTXVH-3	RATED	1000	0.94	0.94
	LOW	875	0.93	0.92
	HIGH	1125	0.95	0.97
TUY060R9V3+TXH041A4+4AYTXVH-3	RATED	1000	0.96	0.96
	LOW	875	0.95	0.93
	HIGH	1125	0.97	0.98
TUY080R9V3+RXC031S3	RATED	1000	0.95	0.95
	LOW	875	0.94	0.93
	HIGH	1125	0.96	0.98
TUY080R9V3+RXC036S3	RATED	1000	0.97	0.95
	LOW	875	0.95	0.93
	HIGH	1125	0.98	0.98
TUY080R9V3+TXH033A4+4AYTXVH-3	RATED	1000	0.94	0.94
	LOW	875	0.92	0.91
	HIGH	1125	0.95	0.96
TUY080R9V3+TXH041A4+4AYTXVH-3	RATED	1000	0.95	0.94
	LOW	875	0.94	0.91
	HIGH	1125	0.96	0.96
TWE042C14+4AYTXVH-3	RATED	1000	0.99	1.02
	LOW	875	0.97	1.00
	HIGH	1125	1.00	1.05
TXA031C4+4AYTXVH-3	RATED	1000	0.98	1.03
	LOW	875	0.97	1.01
	HIGH	1125	0.99	1.06
TXA036C4+4AYTXVH-3	RATED	1000	0.98	1.03
	LOW	875	0.97	1.01
	HIGH	1125	0.99	1.06
TXA037C4+4AYTXVH-3	RATED	1000	0.98	1.03
	LOW	875	0.97	1.01
	HIGH	1125	0.99	1.06
TXA042C4+4AYTXVH-3	RATED	1000	0.99	1.02
	LOW	875	0.97	1.00
	HIGH	1125	1.00	1.05
TXA043C4+4AYTXVH-3	RATED	1000	0.99	1.02
	LOW	875	0.97	1.00
	HIGH	1125	1.00	1.05
TXC031C4+4AYTXVH-3	RATED	1000	0.98	1.03
	LOW	875	0.97	1.01
	HIGH	1125	0.99	1.06
TXC031D4+4AYTXVH-3	RATED	1000	0.98	1.03
	LOW	875	0.97	1.01
	HIGH	1125	0.99	1.06



# Performance Data Heating

## 4TWR4030A1

### CORRECTION FACTORS FOR OTHER COMBINATIONS (MULTIPLY DATA BY FACTOR)

INDOOR MODEL		CFM	MBTUH TOT	SYST KW
TXC036C4+4AYTXVH-3	RATED	1000	0.98	1.03
	LOW	875	0.97	1.01
	HIGH	1125	0.99	1.06
TXC036D4+4AYTXVH-3	RATED	1000	0.98	1.03
	LOW	875	0.97	1.01
	HIGH	1125	0.99	1.06
TXC037C4+4AYTXVH-3	RATED	1000	0.98	1.03
	LOW	875	0.97	1.01
	HIGH	1125	0.99	1.06
TXC042C4+4AYTXVH-3	RATED	1000	0.99	1.02
	LOW	875	0.97	1.00
	HIGH	1125	1.00	1.05

### CORRECTION FACTORS FOR OTHER COMBINATIONS (MULTIPLY DATA BY FACTOR)

INDOOR MODEL		CFM	MBTUH TOT	SYST KW
TXC043C4+4AYTXVH-3	RATED	1000	0.99	1.02
	LOW	875	0.97	1.00
	HIGH	1125	1.00	1.05
TXH033A4+4AYTXVH-3	RATED	1000	0.99	1.04
	LOW	875	0.97	1.01
	HIGH	1125	1.00	1.07
TXH041A4+4AYTXVH-3	RATED	1000	1.00	1.04
	LOW	875	0.99	1.01
	HIGH	1125	1.01	1.06

## 4TWR4036A1

### 4TWR4036A1 WITH 4TEE3F31A1 AT 1200 CFM

O.D. TEMP. F.	HEATING CAPACITY MBH AT INDOOR DRY BULB TEMP.			TOTAL POWER IN KILOWATTS AT INDOOR DRY BULB TEMP.		
	70	75	80	70	75	80
2	14.7	14.6	14.4	2.47	2.55	2.62
7	16.6	16.4	16.3	2.51	2.59	2.66
12	18.5	18.3	18.1	2.55	2.63	2.70
17	20.4	20.2	20.0	2.59	2.66	2.74
22	21.1	20.9	20.7	2.60	2.67	2.75
27	21.9	21.7	21.5	2.61	2.68	2.76
32	22.6	22.4	22.2	2.62	2.69	2.77
37	24.5	24.3	24.1	2.65	2.73	2.81
42	28.2	27.9	27.6	2.73	2.81	2.90
47	31.8	31.5	31.2	2.81	2.90	2.98
52	33.7	33.4	33.1	2.85	2.93	3.02
57	35.6	35.2	34.9	2.89	2.97	3.06
62	37.5	37.1	36.8	2.92	3.01	3.10
67	39.4	39.0	38.7	2.96	3.05	3.14
72	41.3	40.9	40.5	3.00	3.09	3.18

### CORRECTION FACTORS FOR OTHER AIRFLOWS (MULTIPLY DATA BY FACTOR)

	AIRFLOW	TOTAL CAPACITY	SENSIBLE CAPACITY
LOW	1050	0.98	0.97
HIGH	1350	1.01	1.02

NOTE: ALL TABLES ABOVE ARE AT ARI RATING CONDITIONS RATED WITH 25 FEET OF REFRIGERANT LINES.

### CORRECTION FACTORS FOR OTHER COMBINATIONS (MULTIPLY DATA BY FACTOR)

INDOOR MODEL		CFM	MBTUH TOT	SYST KW
4TEE3F37A1	RATED	1200	1.00	0.96
	LOW	1050	0.99	0.94
	HIGH	1350	1.01	0.99
4TEE3F40A1	RATED	1200	1.02	0.96
	LOW	1050	1.01	0.94
	HIGH	1350	1.03	0.99
4TEP3F30A1	RATED	1200	0.98	1.01
	LOW	1050	0.96	0.99
	HIGH	1350	0.99	1.04
4TEP3F36A1	RATED	1200	1.00	1.02
	LOW	1050	0.99	0.99
	HIGH	1350	1.01	1.04
4TEP3F42A1	RATED	1200	1.02	1.02
	LOW	1050	1.01	1.00
	HIGH	1350	1.03	1.05

### CORRECTION FACTORS FOR OTHER COMBINATIONS (MULTIPLY DATA BY FACTOR)

INDOOR MODEL		CFM	MBTUH TOT	SYST KW
4TEP3F48B1	RATED	1200	1.05	1.03
	LOW	1050	1.03	1.00
	HIGH	1350	1.06	1.06
RXC031S3	RATED	1200	1.00	1.01
	LOW	1050	0.98	0.98
	HIGH	1350	1.01	1.03
RXC036S3	RATED	1200	1.03	1.03
	LOW	1050	1.01	1.00
	HIGH	1350	1.04	1.05
RXC037S3	RATED	1200	1.03	1.03
	LOW	1050	1.01	1.00
	HIGH	1350	1.04	1.05
RXC054S3	RATED	1200	1.02	1.02
	LOW	1050	1.01	1.00
	HIGH	1350	1.03	1.05
TDD060R9V3+RXC031S3	RATED	1200	1.00	0.99
	LOW	1050	0.99	0.96
	HIGH	1350	1.01	1.01
TDD060R9V3+RXC036S3	RATED	1200	1.02	0.99
	LOW	1050	1.01	0.97
	HIGH	1350	1.03	1.02
TDD060R9V3+TXH033A4+4AYTXVH-3	RATED	1200	0.98	0.97
	LOW	1050	0.97	0.94
	HIGH	1350	0.99	0.99
TDD060R9V3+TXH041A4+4AYTXVH-3	RATED	1200	1.00	0.97
	LOW	1050	0.99	0.95
	HIGH	1350	1.01	1.00
TDD080R9V3+RXC031S3	RATED	1200	0.99	0.98
	LOW	1050	0.98	0.96
	HIGH	1350	1.00	1.01
TDD080R9V3+RXC036S3	RATED	1200	1.00	0.98
	LOW	1050	0.99	0.96
	HIGH	1350	1.01	1.01
TDD080R9V3+TXH033A4+4AYTXVH-3	RATED	1200	0.97	0.96
	LOW	1050	0.96	0.94
	HIGH	1350	0.98	0.99
TDD080R9V3+TXH041A4+4AYTXVH-3	RATED	1200	1.00	0.96
	LOW	1050	0.98	0.93
	HIGH	1350	1.01	0.98
TDD100R9V5+RXC037S3	RATED	1200	0.98	0.94
	LOW	1050	0.97	0.91
	HIGH	1350	0.99	0.96



# Performance Data Heating

## 4TWR4036A1

### CORRECTION FACTORS FOR OTHER COMBINATIONS (MULTIPLY DATA BY FACTOR)

INDOOR MODEL		CFM	MBTUH TOT	SYST KW
TDD100R9V5+TXH033A4+4AYTXVH-3	RATED	1200	0.95	0.92
	LOW	1050	0.94	0.90
	HIGH	1350	0.96	0.94
TDD100R9V5+TXH041A4+4AYTXVH-3	RATED	1200	0.97	0.93
	LOW	1050	0.96	0.90
	HIGH	1350	0.98	0.95
TDY060R9V3+RXC031S3	RATED	1200	0.98	0.98
	LOW	1050	0.97	0.96
	HIGH	1350	0.99	1.01
TDY060R9V3+RXC036S3	RATED	1200	1.00	0.98
	LOW	1050	0.99	0.96
	HIGH	1350	1.01	1.01
TDY060R9V3+TXH033A4+4AYTXVH-3	RATED	1200	0.96	0.96
	LOW	1050	0.95	0.94
	HIGH	1350	0.97	0.99
TDY060R9V3+TXH041A4+4AYTXVH-3	RATED	1200	0.98	0.97
	LOW	1050	0.97	0.94
	HIGH	1350	0.99	0.99
TDY080R9V3+RXC031S3	RATED	1200	0.99	1.00
	LOW	1050	0.98	0.98
	HIGH	1350	1.00	1.03
TDY080R9V3+RXC036S3	RATED	1200	1.01	1.01
	LOW	1050	0.99	0.98
	HIGH	1350	1.02	1.03
TDY080R9V3+TXH033A4+4AYTXVH-3	RATED	1200	0.98	0.99
	LOW	1050	0.96	0.96
	HIGH	1350	0.99	1.01
TDY080R9V3+TXH041A4+4AYTXVH-3	RATED	1200	1.00	0.98
	LOW	1050	0.98	0.95
	HIGH	1350	1.01	1.00
TDY100R9V4+RXC037S3	RATED	1200	0.99	0.96
	LOW	1050	0.98	0.94
	HIGH	1350	1.00	0.98
TDY100R9V4+TXH033A4+4AYTXVH-3	RATED	1200	0.96	0.96
	LOW	1050	0.95	0.94
	HIGH	1350	0.97	0.99
TDY100R9V4+TXH041A4+4AYTXVH-3	RATED	1200	0.98	0.97
	LOW	1050	0.97	0.94
	HIGH	1350	0.99	0.99
TUD060R9V3+RXC031S3	RATED	1200	1.00	1.00
	LOW	1050	0.99	0.98
	HIGH	1350	1.01	1.03
TUD060R9V3+RXC036S3	RATED	1200	1.02	1.01
	LOW	1050	1.01	0.98
	HIGH	1350	1.03	1.03
TUD060R9V3+TXH033A4+4AYTXVH-3	RATED	1200	0.99	0.99
	LOW	1050	0.98	0.97
	HIGH	1350	1.00	1.01
TUD060R9V3+TXH041A4+4AYTXVH-3	RATED	1200	1.01	0.99
	LOW	1050	0.99	0.97
	HIGH	1350	1.02	1.02
TUD080R9V3+RXC031S3	RATED	1200	1.00	1.00
	LOW	1050	0.99	0.98
	HIGH	1350	1.01	1.03
TUD080R9V3+RXC036S3	RATED	1200	1.02	0.99
	LOW	1050	1.01	0.97
	HIGH	1350	1.03	1.02
TUD080R9V3+TXH033A4+4AYTXVH-3	RATED	1200	0.98	0.97
	LOW	1050	0.97	0.95
	HIGH	1350	0.99	0.99
TUD080R9V3+TXH041A4+4AYTXVH-3	RATED	1200	1.00	0.97
	LOW	1050	0.99	0.95
	HIGH	1350	1.01	1.00

### CORRECTION FACTORS FOR OTHER COMBINATIONS (MULTIPLY DATA BY FACTOR)

INDOOR MODEL		CFM	MBTUH TOT	SYST KW
TUD100R9V5+RXC037S3	RATED	1200	0.98	0.94
	LOW	1050	0.97	0.91
	HIGH	1350	0.99	0.96
TUD100R9V5+TXH033A4+4AYTXVH-3	RATED	1200	0.95	0.92
	LOW	1050	0.94	0.90
	HIGH	1350	0.96	0.94
TUD100R9V5+TXH041A4+4AYTXVH-3	RATED	1200	0.97	0.93
	LOW	1050	0.96	0.90
	HIGH	1350	0.98	0.95
TUY060R9V3+RXC031S3	RATED	1200	0.98	0.98
	LOW	1050	0.97	0.96
	HIGH	1350	0.99	1.01
TUY060R9V3+RXC036S3	RATED	1200	1.00	0.98
	LOW	1050	0.98	0.95
	HIGH	1350	1.01	1.00
TUY060R9V3+TXH033A4+4AYTXVH-3	RATED	1200	0.96	0.96
	LOW	1050	0.95	0.94
	HIGH	1350	0.97	0.99
TUY060R9V3+TXH041A4+4AYTXVH-3	RATED	1200	0.98	0.97
	LOW	1050	0.97	0.94
	HIGH	1350	0.99	0.99
TUY080R9V3+RXC031S3	RATED	1200	0.97	0.96
	LOW	1050	0.96	0.93
	HIGH	1350	0.98	0.98
TUY080R9V3+RXC036S3	RATED	1200	0.99	0.96
	LOW	1050	0.98	0.94
	HIGH	1350	1.00	0.99
TUY080R9V3+TXH033A4+4AYTXVH-3	RATED	1200	0.96	0.94
	LOW	1050	0.94	0.92
	HIGH	1350	0.97	0.97
TUY080R9V3+TXH041A4+4AYTXVH-3	RATED	1200	0.98	0.95
	LOW	1050	0.96	0.92
	HIGH	1350	0.99	0.97
TUY100R9V4+RXC037S3	RATED	1200	0.99	0.96
	LOW	1050	0.98	0.93
	HIGH	1350	1.00	0.98
TUY100R9V4+TXH033A4+4AYTXVH-3	RATED	1200	0.96	0.94
	LOW	1050	0.94	0.92
	HIGH	1350	0.97	0.97
TUY100R9V4+TXH041A4+4AYTXVH-3	RATED	1200	0.98	0.95
	LOW	1050	0.96	0.92
	HIGH	1350	0.99	0.97
TWE036C14+4AYTXVH-3	RATED	1200	0.99	1.01
	LOW	1050	0.98	0.98
	HIGH	1350	1.00	1.03
TWE042C14+4AYTXVH-3	RATED	1200	1.01	1.03
	LOW	1050	0.99	1.00
	HIGH	1350	1.02	1.05
TWE048C14+4AYTXVH-3	RATED	1200	1.03	1.05
	LOW	1050	1.01	1.02
	HIGH	1350	1.04	1.07
TXA030C4+4AYTXVH-3	RATED	1200	0.97	1.02
	LOW	1050	0.96	0.99
	HIGH	1350	0.98	1.04
TXA031C4+4AYTXVH-3	RATED	1200	0.98	1.01
	LOW	1050	0.96	0.98
	HIGH	1350	0.99	1.03
TXA035C4+4AYTXVH-3	RATED	1200	0.97	1.02
	LOW	1050	0.96	0.99
	HIGH	1350	0.98	1.04
TXA036C4+4AYTXVH-3	RATED	1200	1.00	1.01
	LOW	1050	0.98	0.99
	HIGH	1350	1.01	1.04



# Performance Data Heating

## 4TWR4036A1

**CORRECTION FACTORS FOR OTHER COMBINATIONS (MULTIPLY DATA BY FACTOR)**

INDOOR MODEL		CFM	MBTUH TOT	SYST KW
TXA037C4+4AYTXVH-3	RATED	1200	1.00	1.01
	LOW	1050	0.98	0.99
	HIGH	1350	1.01	1.04
TXA042C4+4AYTXVH-3	RATED	1200	1.01	1.03
	LOW	1050	0.99	1.00
	HIGH	1350	1.02	1.05
TXA043C4+4AYTXVH-3	RATED	1200	1.01	1.03
	LOW	1050	0.99	1.00
	HIGH	1350	1.02	1.05
TXA048C4+4AYTXVH-3	RATED	1200	1.01	1.02
	LOW	1050	1.00	0.99
	HIGH	1350	1.03	1.04
TXA049C4+4AYTXVH-3	RATED	1200	1.01	1.02
	LOW	1050	1.00	0.99
	HIGH	1350	1.03	1.04
TXA050C4+4AYTXVH-3	RATED	1200	1.01	1.02
	LOW	1050	1.00	0.99
	HIGH	1350	1.03	1.04
TXC030C4+4AYTXVH-3	RATED	1200	0.97	1.02
	LOW	1050	0.96	0.99
	HIGH	1350	0.98	1.04
TXC030D4+4AYTXVH-3	RATED	1200	0.97	1.02
	LOW	1050	0.96	0.99
	HIGH	1350	0.98	1.04
TXC031C4+4AYTXVH-3	RATED	1200	0.98	1.01
	LOW	1050	0.96	0.98
	HIGH	1350	0.99	1.03
TXC031D4+4AYTXVH-3	RATED	1200	0.98	1.01
	LOW	1050	0.96	0.98
	HIGH	1350	0.99	1.03
TXC035C4+4AYTXVH-3	RATED	1200	0.97	1.02
	LOW	1050	0.96	0.99
	HIGH	1350	0.98	1.04

**CORRECTION FACTORS FOR OTHER COMBINATIONS (MULTIPLY DATA BY FACTOR)**

INDOOR MODEL		CFM	MBTUH TOT	SYST KW
TXC035D4+4AYTXVH-3	RATED	1200	0.97	1.02
	LOW	1050	0.96	0.99
	HIGH	1350	0.98	1.04
TXC036C4+4AYTXVH-3	RATED	1200	1.00	1.01
	LOW	1050	0.98	0.99
	HIGH	1350	1.01	1.04
TXC036D4+4AYTXVH-3	RATED	1200	1.00	1.01
	LOW	1050	0.98	0.99
	HIGH	1350	1.01	1.04
TXC037C4+4AYTXVH-3	RATED	1200	1.00	1.01
	LOW	1050	0.98	0.99
	HIGH	1350	1.01	1.04
TXC042C4+4AYTXVH-3	RATED	1200	1.01	1.03
	LOW	1050	0.99	1.00
	HIGH	1350	1.02	1.05
TXC043C4+4AYTXVH-3	RATED	1200	1.01	1.03
	LOW	1050	0.99	1.00
	HIGH	1350	1.02	1.05
TXC048C4+4AYTXVH-3	RATED	1200	1.01	1.02
	LOW	1050	1.00	0.99
	HIGH	1350	1.03	1.04
TXC049C4+4AYTXVH-3	RATED	1200	1.01	1.02
	LOW	1050	1.00	0.99
	HIGH	1350	1.03	1.04
TXC050C4+4AYTXVH-3	RATED	1200	1.01	1.02
	LOW	1050	1.00	0.99
	HIGH	1350	1.03	1.04
TXH033A4+4AYTXVH-3	RATED	1200	1.00	1.01
	LOW	1050	0.98	0.99
	HIGH	1350	1.01	1.04
TXH041A4+4AYTXVH-3	RATED	1200	1.01	1.02
	LOW	1050	1.00	0.99
	HIGH	1350	1.03	1.04



# Performance Data Heating

## 4TWR4042A1

### 4TWR4042A1 WITH 4TEE3F37A1 AT 1400 CFM

O.D. TEMP. F.	HEATING CAPACITY MBH AT INDOOR DRY BULB TEMP.			TOTAL POWER IN KILOWATTS AT INDOOR DRY BULB TEMP.		
	70	75	80	70	75	80
2	17.9	17.7	17.5	2.81	2.89	2.98
7	20.0	19.8	19.7	2.87	2.95	3.04
12	22.2	22.0	21.8	2.93	3.01	3.10
17	24.4	24.2	23.9	2.98	3.07	3.16
22	25.2	25.0	24.7	3.01	3.10	3.19
27	26.0	25.8	25.5	3.04	3.13	3.22
32	26.9	26.6	26.3	3.06	3.15	3.24
37	29.0	28.7	28.5	3.12	3.21	3.31
42	33.3	32.9	32.6	3.23	3.32	3.42
47	37.5	37.1	36.8	3.34	3.44	3.54
52	39.7	39.3	38.9	3.39	3.49	3.60
57	41.9	41.4	41.1	3.45	3.56	3.66
62	44.1	43.6	43.2	3.51	3.62	3.72
67	46.2	45.8	45.4	3.57	3.68	3.78
72	48.4	47.9	47.5	3.63	3.74	3.84

#### CORRECTION FACTORS FOR OTHER AIRFLOWS (MULTIPLY DATA BY FACTOR)

AIRFLOW	TOTAL CAPACITY	SENSIBLE CAPACITY
LOW	1225	0.98
HIGH	1575	1.01

NOTE: ALL TABLES ABOVE ARE AT ARI RATING CONDITIONS RATED WITH 25 FEET OF REFRIGERANT LINES.

#### CORRECTION FACTORS FOR OTHER COMBINATIONS (MULTIPLY DATA BY FACTOR)

INDOOR MODEL		CFM	MBTUH TOT	SYST KW
4TEE3F40A1	RATED	1400	1.05	0.95
	LOW	1225	1.03	0.93
	HIGH	1575	1.06	0.97
4TEE3F49A1	RATED	1400	1.05	1.00
	LOW	1225	1.03	0.97
	HIGH	1575	1.06	1.02
4TEP3F42A1	RATED	1400	1.02	1.03
	LOW	1225	1.01	1.01
	HIGH	1575	1.03	1.06
4TEP3F48B1	RATED	1400	1.05	1.03
	LOW	1225	1.03	1.00
	HIGH	1575	1.06	1.05
RXC036S3	RATED	1400	1.01	1.02
	LOW	1225	1.00	0.99
	HIGH	1575	1.02	1.04
RXC037S3	RATED	1400	1.03	1.03
	LOW	1225	1.02	1.01
	HIGH	1575	1.05	1.06
RXC054S3	RATED	1400	1.02	1.03
	LOW	1225	1.01	1.01
	HIGH	1575	1.03	1.06
TDD080R9V3+RXC036S3	RATED	1400	1.02	1.02
	LOW	1225	1.01	1.00
	HIGH	1575	1.03	1.05
TDD080R9V3+TXH041A4+4AYTXVH-3	RATED	1400	1.01	1.01
	LOW	1225	1.00	0.98
	HIGH	1575	1.02	1.04
TDD080R9V3+TXH054A4+4AYTXVH-3	RATED	1400	1.03	1.02
	LOW	1225	1.02	1.00
	HIGH	1575	1.05	1.05
TDD100R9V5+RXC037S3	RATED	1400	1.02	0.99
	LOW	1225	1.01	0.96
	HIGH	1575	1.03	1.01
TDD100R9V5+RXC054S3	RATED	1400	1.02	1.00
	LOW	1225	1.01	0.98
	HIGH	1575	1.03	1.03

#### CORRECTION FACTORS FOR OTHER COMBINATIONS (MULTIPLY DATA BY FACTOR)

INDOOR MODEL		CFM	MBTUH TOT	SYST KW
TDD100R9V5+TXH041A4+4AYTXVH-3	RATED	1400	1.01	0.99
	LOW	1225	1.00	0.96
	HIGH	1575	1.02	1.01
TDD100R9V5+TXH054A4+4AYTXVH-3	RATED	1400	1.03	1.00
	LOW	1225	1.02	0.97
	HIGH	1575	1.05	1.02
TDD120R9V5+TXH041A4+4AYTXVH-3	RATED	1400	1.01	0.97
	LOW	1225	1.00	0.95
	HIGH	1575	1.02	1.00
TDD120R9V5+TXH054A4+4AYTXVH-3	RATED	1400	1.03	0.98
	LOW	1225	1.02	0.96
	HIGH	1575	1.05	1.01
TDY100R9V4+RXC037S3	RATED	1400	1.00	0.99
	LOW	1225	0.98	0.97
	HIGH	1575	1.01	1.02
TDY100R9V4+RXC054S3	RATED	1400	1.00	0.99
	LOW	1225	0.98	0.97
	HIGH	1575	1.01	1.02
TDY100R9V4+TXH041A4+4AYTXVH-3	RATED	1400	1.00	0.99
	LOW	1225	0.98	0.97
	HIGH	1575	1.01	1.02
TDY120R9V5+TXH041A4+4AYTXVH-3	RATED	1400	0.98	0.98
	LOW	1225	0.97	0.95
	HIGH	1575	0.99	1.00
TUD080R9V3+RXC036S3	RATED	1400	1.03	1.05
	LOW	1225	1.02	1.02
	HIGH	1575	1.05	1.07
TUD080R9V3+TXH041A4+4AYTXVH-3	RATED	1400	1.02	1.03
	LOW	1225	1.01	1.01
	HIGH	1575	1.03	1.06
TUD080R9V3+TXH054A4+4AYTXVH-3	RATED	1400	1.05	1.04
	LOW	1225	1.03	1.02
	HIGH	1575	1.06	1.07
TUD100R9V5+RXC037S3	RATED	1400	1.02	1.00
	LOW	1225	1.01	0.97
	HIGH	1575	1.03	1.02
TUD100R9V5+RXC054S3	RATED	1400	1.02	1.00
	LOW	1225	1.01	0.97
	HIGH	1575	1.03	1.02
TUD100R9V5+TXH041A4+4AYTXVH-3	RATED	1400	1.02	1.00
	LOW	1225	1.01	0.97
	HIGH	1575	1.03	1.02
TUD100R9V5+TXH054A4+4AYTXVH-3	RATED	1400	1.03	1.00
	LOW	1225	1.02	0.97
	HIGH	1575	1.05	1.02
TUD120R9V5+TXH041A4+4AYTXVH-3	RATED	1400	1.01	0.98
	LOW	1225	1.00	0.95
	HIGH	1575	1.02	1.00
TUD120R9V5+TXH054A4+4AYTXVH-3	RATED	1400	1.03	0.99
	LOW	1225	1.02	0.96
	HIGH	1575	1.05	1.01
TUD140R9V5+TXH041A4+4AYTXVH-3	RATED	1400	1.01	0.98
	LOW	1225	1.00	0.95
	HIGH	1575	1.02	1.00
TUD140R9V5+TXH054A4+4AYTXVH-3	RATED	1400	1.02	0.97
	LOW	1225	1.01	0.95
	HIGH	1575	1.03	1.00
TUY080R9V3+RXC036S3	RATED	1400	1.00	0.99
	LOW	1225	0.98	0.97
	HIGH	1575	1.01	1.02
TUY080R9V3+TXH041A4+4AYTXVH-3	RATED	1400	0.98	0.98
	LOW	1225	0.97	0.95
	HIGH	1575	0.99	1.00





# Performance Data Heating

## 4TWR4042A1

**CORRECTION FACTORS FOR OTHER COMBINATIONS (MULTIPLY DATA BY FACTOR)**

INDOOR MODEL		CFM	MBTUH TOT	SYST KW
TUY080R9V3+TXH054A4+4AYTXVH-3	RATED	1400	1.01	0.99
	LOW	1225	1.00	0.97
	HIGH	1575	1.02	1.02
TUY100R9V4+RXC037S3	RATED	1400	1.00	0.98
	LOW	1225	0.98	0.95
	HIGH	1575	1.01	1.00
TUY100R9V4+RXC054S3	RATED	1400	1.00	0.99
	LOW	1225	0.98	0.96
	HIGH	1575	1.01	1.01
TUY100R9V4+TXH041A4+4AYTXVH-3	RATED	1400	0.98	0.98
	LOW	1225	0.97	0.95
	HIGH	1575	0.99	1.00
TUY100R9V4+TXH054A4+4AYTXVH-3	RATED	1400	1.01	0.99
	LOW	1225	1.00	0.96
	HIGH	1575	1.02	1.01
TUY120R9V5+TXH041A4+4AYTXVH-3	RATED	1400	0.98	0.96
	LOW	1225	0.97	0.94
	HIGH	1575	0.99	0.99
TUY120R9V5+TXH054A4+4AYTXVH-3	RATED	1400	1.01	0.99
	LOW	1225	1.00	0.96
	HIGH	1575	1.02	1.01
TWE048C14+4AYTXVH-3	RATED	1400	1.02	1.03
	LOW	1225	1.01	1.01
	HIGH	1575	1.03	1.06
TXA036C4+4AYTXVH-3	RATED	1400	0.97	1.02
	LOW	1225	0.96	0.99
	HIGH	1575	0.98	1.04
TXA037C4+4AYTXVH-3	RATED	1400	0.99	1.02
	LOW	1225	0.98	1.00
	HIGH	1575	1.01	1.05
TXA042C4+4AYTXVH-3	RATED	1400	0.98	1.02
	LOW	1225	0.97	0.99
	HIGH	1575	0.99	1.04
TXA043C4+4AYTXVH-3	RATED	1400	1.01	1.02
	LOW	1225	1.00	0.99
	HIGH	1575	1.02	1.05
TXA048C4+4AYTXVH-3	RATED	1400	1.01	1.03
	LOW	1225	1.00	1.00
	HIGH	1575	1.02	1.05

**CORRECTION FACTORS FOR OTHER COMBINATIONS (MULTIPLY DATA BY FACTOR)**

INDOOR MODEL		CFM	MBTUH TOT	SYST KW
TXA049C4+4AYTXVH-3	RATED	1400	1.02	1.03
	LOW	1225	1.01	1.01
	HIGH	1575	1.03	1.06
TXA050C4+4AYTXVH-3	RATED	1400	1.02	1.03
	LOW	1225	1.01	1.01
	HIGH	1575	1.03	1.06
TXC036C4+4AYTXVH-3	RATED	1400	0.97	1.02
	LOW	1225	0.96	0.99
	HIGH	1575	0.98	1.04
TXC036D4+4AYTXVH-3	RATED	1400	0.97	1.02
	LOW	1225	0.96	0.99
	HIGH	1575	0.98	1.04
TXC037C4+4AYTXVH-3	RATED	1400	0.99	1.02
	LOW	1225	0.98	1.00
	HIGH	1575	1.01	1.05
TXC042C4+4AYTXVH-3	RATED	1400	0.98	1.02
	LOW	1225	0.97	0.99
	HIGH	1575	0.99	1.04
TXC043C4+4AYTXVH-3	RATED	1400	1.01	1.02
	LOW	1225	1.00	0.99
	HIGH	1575	1.02	1.05
TXC048C4+4AYTXVH-3	RATED	1400	1.01	1.03
	LOW	1225	1.00	1.00
	HIGH	1575	1.02	1.05
TXC049C4+4AYTXVH-3	RATED	1400	1.02	1.03
	LOW	1225	1.01	1.01
	HIGH	1575	1.03	1.06
TXC050C4+4AYTXVH-3	RATED	1400	1.02	1.03
	LOW	1225	1.01	1.01
	HIGH	1575	1.03	1.06
TXH041A4+4AYTXVH-3	RATED	1400	1.02	1.03
	LOW	1225	1.01	1.01
	HIGH	1575	1.03	1.06
TXH054A4+4AYTXVH-3	RATED	1400	1.05	1.05
	LOW	1225	1.03	1.02
	HIGH	1575	1.06	1.07



# Performance Data Heating

## 4TWR4048A1

### 4TWR4048A1 WITH 4TEE3F49A1 AT 1600 CFM

O.D. TEMP. F.	HEATING CAPACITY MBH AT INDOOR DRY BULB TEMP.			TOTAL POWER IN KILOWATTS AT INDOOR DRY BULB TEMP.		
	70	75	80	70	75	80
2	19.8	19.6	19.4	3.33	3.43	3.53
7	22.6	22.4	22.2	3.38	3.48	3.58
12	25.4	25.1	24.9	3.42	3.52	3.63
17	28.2	27.9	27.7	3.47	3.57	3.68
22	28.9	28.6	28.3	3.49	3.60	3.70
27	29.6	29.3	29.0	3.52	3.62	3.73
32	30.3	30.0	29.7	3.54	3.64	3.75
37	33.1	32.8	32.5	3.58	3.69	3.80
42	39.0	38.7	38.3	3.66	3.77	3.88
47	45.0	44.6	44.1	3.74	3.85	3.96
52	47.8	47.3	46.9	3.78	3.90	4.01
57	50.6	50.1	49.6	3.83	3.94	4.06
62	53.4	52.9	52.4	3.87	3.99	4.11
67	56.2	55.6	55.1	3.92	4.04	4.16
72	59.0	58.4	57.9	3.97	4.08	4.20

#### CORRECTION FACTORS FOR OTHER AIRFLOWS (MULTIPLY DATA BY FACTOR)

AIRFLOW	TOTAL CAPACITY	SENSIBLE CAPACITY
LOW	1400	0.98
HIGH	1800	1.01

NOTE: ALL TABLES ABOVE ARE AT ARI RATING CONDITIONS RATED WITH 25 FEET OF REFRIGERANT LINES.

#### CORRECTION FACTORS FOR OTHER COMBINATIONS (MULTIPLY DATA BY FACTOR)

INDOOR MODEL	CFM	MBTUH TOT	SYST KW
4TEP3F42A1	RATED	1600	0.98
	LOW	1400	0.97
	HIGH	1800	0.99
4TEP3F48B1	RATED	1600	0.99
	LOW	1400	0.98
	HIGH	1800	1.01
4TEP3F63B1	RATED	1600	0.99
	LOW	1400	0.98
	HIGH	1800	1.01
RXA060S3	RATED	1600	0.98
	LOW	1400	0.97
	HIGH	1800	0.99
RXA061S3	RATED	1600	0.99
	LOW	1400	0.98
	HIGH	1800	1.01
RXC054S3	RATED	1600	0.98
	LOW	1400	0.97
	HIGH	1800	0.99
RXC060S3	RATED	1600	0.98
	LOW	1400	0.97
	HIGH	1800	0.99
RXC061S3	RATED	1600	0.99
	LOW	1400	0.98
	HIGH	1800	1.01
RXC065S3	RATED	1600	0.99
	LOW	1400	0.98
	HIGH	1800	1.01
RXH063S3	RATED	1600	1.03
	LOW	1400	1.01
	HIGH	1800	1.11
TDD100R9V5+RXC037S3	RATED	1600	0.98
	LOW	1400	0.97
	HIGH	1800	0.99
TDD100R9V5+RXC054S3	RATED	1600	0.98
	LOW	1400	0.97
	HIGH	1800	0.99

#### CORRECTION FACTORS FOR OTHER COMBINATIONS (MULTIPLY DATA BY FACTOR)

INDOOR MODEL	CFM	MBTUH TOT	SYST KW
TDD100R9V5+RXH063S3	RATED	1600	1.02
	LOW	1400	1.00
	HIGH	1800	1.03
TDD100R9V5+TXH041A4+4AYTXVH-3	RATED	1600	0.97
	LOW	1400	0.96
	HIGH	1800	0.98
TDD100R9V5+TXH054A4+4AYTXVH-3	RATED	1600	1.01
	LOW	1400	0.99
	HIGH	1800	1.02
TDD120R9V5+RXH063S3	RATED	1600	1.02
	LOW	1400	1.00
	HIGH	1800	1.03
TDD120R9V5+TXH041A4+4AYTXVH-3	RATED	1600	0.97
	LOW	1400	0.96
	HIGH	1800	0.98
TDD120R9V5+TXH054A4+4AYTXVH-3	RATED	1600	0.99
	LOW	1400	0.98
	HIGH	1800	1.01
TDY100R9V4+RXC037S3	RATED	1600	0.97
	LOW	1400	0.96
	HIGH	1800	0.98
TDY100R9V4+RXC054S3	RATED	1600	0.96
	LOW	1400	0.95
	HIGH	1800	0.97
TDY100R9V4+RXH063S3	RATED	1600	1.01
	LOW	1400	0.99
	HIGH	1800	1.02
TDY100R9V4+TXH041A4+4AYTXVH-3	RATED	1600	0.96
	LOW	1400	0.95
	HIGH	1800	0.97
TDY100R9V4+TXH054A4+4AYTXVH-3	RATED	1600	0.98
	LOW	1400	0.97
	HIGH	1800	0.99
TDY120R9V5+RXH063S3	RATED	1600	1.00
	LOW	1400	0.98
	HIGH	1800	1.01
TDY120R9V5+TXH041A4+4AYTXVH-3	RATED	1600	0.95
	LOW	1400	0.94
	HIGH	1800	0.96
TDY120R9V5+TXH054A4+4AYTXVH-3	RATED	1600	0.98
	LOW	1400	0.97
	HIGH	1800	0.99
TUD100R9V5+RXC037S3	RATED	1600	0.99
	LOW	1400	0.98
	HIGH	1800	1.01
TUD100R9V5+RXC054S3	RATED	1600	0.98
	LOW	1400	0.97
	HIGH	1800	0.99
TUD100R9V5+RXH063S3	RATED	1600	1.03
	LOW	1400	1.01
	HIGH	1800	1.04
TUD100R9V5+TXH041A4+4AYTXVH-3	RATED	1600	0.98
	LOW	1400	0.97
	HIGH	1800	0.99
TUD100R9V5+TXH054A4+4AYTXVH-3	RATED	1600	1.01
	LOW	1400	0.99
	HIGH	1800	1.02
TUD120R9V5+RXC065S3	RATED	1600	0.98
	LOW	1400	0.97
	HIGH	1800	0.99
TUD120R9V5+RXH063S3	RATED	1600	1.02
	LOW	1400	1.00
	HIGH	1800	1.03



# Performance Data Heating

## 4TWR4048A1

**CORRECTION FACTORS FOR OTHER COMBINATIONS (MULTIPLY DATA BY FACTOR)**

INDOOR MODEL		CFM	MBTUH TOT	SYST KW
TUD120R9V5+TXH041A4+4AYTXVH-3	RATED	1600	0.97	1.02
	LOW	1400	0.96	0.99
	HIGH	1800	0.98	1.05
TUD120R9V5+TXH054A4+4AYTXVH-3	RATED	1600	0.99	1.03
	LOW	1400	0.98	1.00
	HIGH	1800	1.01	1.05
TUD140R9V5+RXC065S3	RATED	1600	0.98	1.02
	LOW	1400	0.97	0.99
	HIGH	1800	0.99	1.05
TUD140R9V5+RXH063S3	RATED	1600	1.02	1.04
	LOW	1400	1.00	1.01
	HIGH	1800	1.03	1.06
TUD140R9V5+TXH041A4+4AYTXVH-3	RATED	1600	0.97	1.02
	LOW	1400	0.96	1.00
	HIGH	1800	0.98	1.05
TUD140R9V5+TXH054A4+4AYTXVH-3	RATED	1600	0.99	1.03
	LOW	1400	0.98	1.01
	HIGH	1800	1.01	1.06
TUY100R9V4+RXC037S3	RATED	1600	0.96	1.03
	LOW	1400	0.95	1.00
	HIGH	1800	0.97	1.05
TUY100R9V4+RXC054S3	RATED	1600	0.96	1.04
	LOW	1400	0.95	1.01
	HIGH	1800	0.97	1.07
TUY100R9V4+RXH063S3	RATED	1600	1.00	1.05
	LOW	1400	0.98	1.02
	HIGH	1800	1.01	1.07
TUY100R9V4+TXH041A4+4AYTXVH-3	RATED	1600	0.95	1.03
	LOW	1400	0.94	1.00
	HIGH	1800	0.96	1.06
TUY100R9V4+TXH054A4+4AYTXVH-3	RATED	1600	0.98	1.05
	LOW	1400	0.97	1.02
	HIGH	1800	0.99	1.08
TUY120R9V5+RXC065S3	RATED	1600	0.96	1.01
	LOW	1400	0.95	0.98
	HIGH	1800	0.97	1.03
TUY120R9V5+RXH063S3	RATED	1600	1.00	1.03
	LOW	1400	0.98	1.00
	HIGH	1800	1.01	1.05
TUY120R9V5+TXH041A4+4AYTXVH-3	RATED	1600	0.95	1.01
	LOW	1400	0.94	0.99
	HIGH	1800	0.96	1.04

**CORRECTION FACTORS FOR OTHER COMBINATIONS (MULTIPLY DATA BY FACTOR)**

INDOOR MODEL		CFM	MBTUH TOT	SYST KW
TUY120R9V5+TXH054A4+4AYTXVH-3	RATED	1600	0.98	1.03
	LOW	1400	0.97	1.01
	HIGH	1800	0.99	1.06
TWE048C14+4AYTXVH-3	RATED	1600	0.98	1.07
	LOW	1400	0.97	1.04
	HIGH	1800	0.99	1.09
TXA042C4+4AYTXVH-3	RATED	1200	0.92	0.99
	LOW	1050	0.91	0.97
	HIGH	1350	0.93	1.02
TXA043C4+4AYTXVH-3	RATED	1600	0.96	1.04
	LOW	1400	0.95	1.02
	HIGH	1800	0.97	1.07
TXA048C4+4AYTXVH-3	RATED	1600	0.95	1.05
	LOW	1400	0.94	1.03
	HIGH	1800	0.96	1.08
TXA049C4+4AYTXVH-3	RATED	1600	0.97	1.05
	LOW	1400	0.96	1.03
	HIGH	1800	0.98	1.08
TXA050C4+4AYTXVH-3	RATED	1600	0.97	1.05
	LOW	1400	0.96	1.03
	HIGH	1800	0.98	1.08
TXC042C4+4AYTXVH-3	RATED	1200	0.92	0.99
	LOW	1050	0.91	0.97
	HIGH	1350	0.93	1.02
TXC043C4+4AYTXVH-3	RATED	1600	0.96	1.04
	LOW	1400	0.95	1.02
	HIGH	1800	0.97	1.07
TXC048C4+4AYTXVH-3	RATED	1600	0.95	1.05
	LOW	1400	0.94	1.03
	HIGH	1800	0.96	1.08
TXC049C4+4AYTXVH-3	RATED	1600	0.97	1.05
	LOW	1400	0.96	1.03
	HIGH	1800	0.98	1.08
TXC050C4+4AYTXVH-3	RATED	1600	0.97	1.05
	LOW	1400	0.96	1.03
	HIGH	1800	0.98	1.08
TXH041A4+4AYTXVH-3	RATED	1600	0.98	1.05
	LOW	1400	0.97	1.02
	HIGH	1800	0.99	1.08
TXH054A4+4AYTXVH-3	RATED	1600	1.01	1.06
	LOW	1400	0.99	1.03
	HIGH	1800	1.02	1.08



# Performance Data Heating

## 4TWR4060A1

### 4TWR4060A1 WITH 4TEE3F49A1 AT 2000 CFM

O.D. TEMP. F.	HEATING CAPACITY MBH AT INDOOR DRY BULB TEMP.			TOTAL POWER IN KILOWATTS AT INDOOR DRY BULB TEMP.		
	70	75	80	70	75	80
2	29.5	29.2	28.9	4.33	4.46	4.59
7	32.5	32.2	31.9	4.42	4.55	4.68
12	35.5	35.1	34.8	4.50	4.64	4.77
17	38.5	38.1	37.8	4.59	4.72	4.86
22	39.5	39.1	38.7	4.61	4.75	4.89
27	40.5	40.0	39.7	4.64	4.78	4.92
32	41.4	41.0	40.6	4.67	4.81	4.95
37	44.4	44.0	43.6	4.75	4.89	5.04
42	50.5	50.0	49.5	4.92	5.07	5.22
47	56.5	55.9	55.4	5.09	5.24	5.39
52	59.5	58.9	58.4	5.17	5.33	5.48
57	62.5	61.9	61.3	5.26	5.41	5.57
62	65.5	64.9	64.3	5.34	5.50	5.66
67	68.5	67.8	67.2	5.43	5.59	5.75
72	71.5	70.8	70.1	5.51	5.68	5.84

### CORRECTION FACTORS FOR OTHER COMBINATIONS (MULTIPLY DATA BY FACTOR)

INDOOR MODEL		CFM	MBTUH TOT	SYST KW
4TEE3F65A1	RATED	2000	1.00	0.93
	LOW	1750	0.99	0.91
	HIGH	2250	1.01	0.95
RXA061S3	RATED	2000	0.97	0.98
	LOW	1750	0.96	0.96
	HIGH	2250	0.98	1.01
RXC061S3	RATED	2000	0.97	0.98
	LOW	1750	0.96	0.96
	HIGH	2250	0.98	1.01
RXH063S3	RATED	2000	1.01	1.00
	LOW	1750	1.00	0.97
	HIGH	2250	1.02	1.02
TXH054A4+4AYTXVH-3	RATED	2000	0.97	0.99
	LOW	1750	0.96	0.96
	HIGH	2250	0.98	1.01

### CORRECTION FACTORS FOR OTHER AIRFLOWS (MULTIPLY DATA BY FACTOR)

	AIRFLOW	TOTAL CAPACITY	SENSIBLE CAPACITY
LOW	1750	0.98	0.97
HIGH	2250	1.01	1.02

NOTE: ALL TABLES ABOVE ARE AT ARI RATING CONDITIONS RATED WITH 25 FEET OF REFRIGERANT LINES.

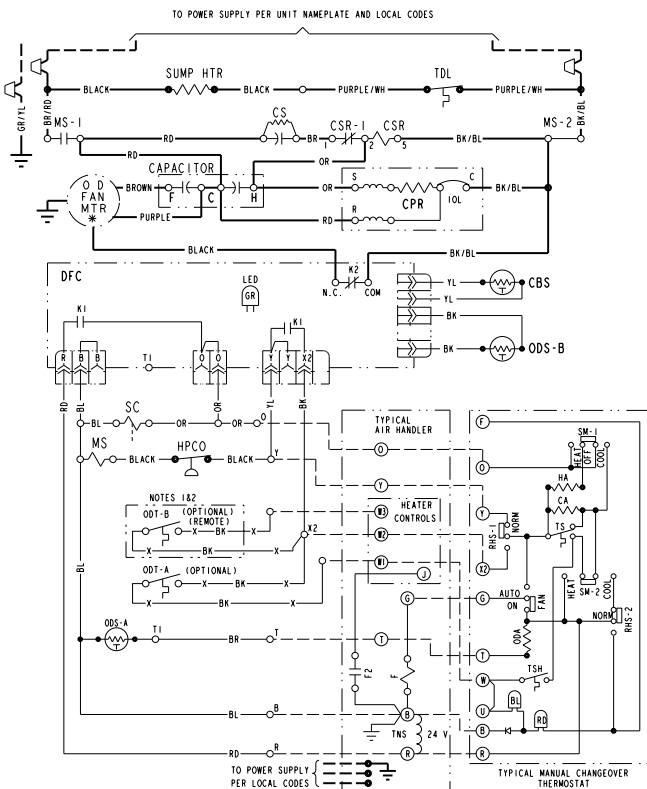


# Electrical Data

## Schematic Diagrams

(SEE LEGEND)

### 4TWR4024A



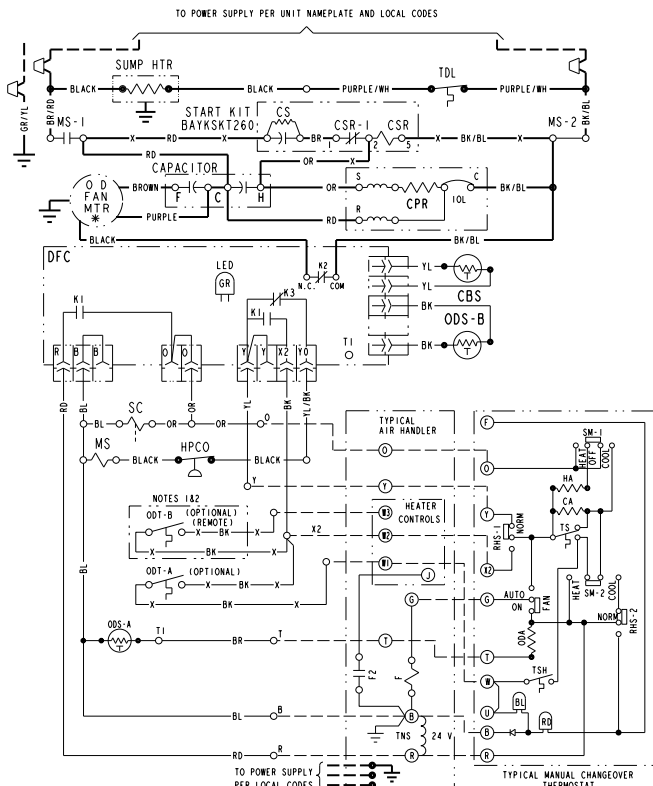
**NOTES:**

1. IF ODT-B IS NOT USED, ADD JUMPER BETWEEN W2 & W3 AT AIR HANDLER. IF USED, ODT-B MUST BE MOUNTED REMOTE OF CONTROL BOX IN AN APPROVED WEATHER PROOF ENCLOSURE.
2. IF ODT-A IS NOT USED, ADD JUMPER BETWEEN W1 & W2 AT AIR HANDLER.
3. LOW VOLTAGE (24 V.) FIELD WIRING MUST BE 18 AWG MIN.

<p><b>⚠ WARNING</b> HAZARDOUS VOLTAGE! DISCONNECT ALL ELECTRIC POWER INCLUDING REMOTE DISCONNECTS BEFORE SERVICING. FAILURE TO DISCONNECT POWER BEFORE SERVICING CAN CAUSE SEVERE PERSONAL INJURY OR DEATH!</p>	<p><b>⚠ CAUTION</b> USE COPPER CONDUCTORS ONLY! UNIT TERMINALS ARE NOT DESIGNED TO ACCEPT OTHER TYPES OF CONDUCTORS. FAILURE TO DO SO MAY CAUSE DAMAGE TO THE EQUIPMENT!</p>
---	--

FOR CANADIAN INSTALLATIONS  
POUR INSTALLATIONS CANADIENNES  
CAUTION: NOT SUITABLE FOR USE ON SYSTEMS EXCEEDING 150V-TO-GROUND.  
ATTENTION: NE CONVIENT PAS AUX INSTALLATIONS DE PLUS DE 150 V A LA TERRE.

### 4TWR4030,036,042A



**NOTES:**

1. IF ODT-B IS NOT USED, ADD JUMPER BETWEEN W2 & W3 AT AIR HANDLER. IF USED, ODT-B MUST BE MOUNTED REMOTE OF CONTROL BOX IN AN APPROVED WEATHER PROOF ENCLOSURE.
2. IF ODT-A IS NOT USED, ADD JUMPER BETWEEN W1 & W2 AT AIR HANDLER.
3. LOW VOLTAGE (24 V.) FIELD WIRING MUST BE 18 AWG MIN.

<p><b>⚠ WARNING</b> HAZARDOUS VOLTAGE! DISCONNECT ALL ELECTRIC POWER INCLUDING REMOTE DISCONNECTS BEFORE SERVICING. FAILURE TO DISCONNECT POWER BEFORE SERVICING CAN CAUSE SEVERE PERSONAL INJURY OR DEATH!</p>	<p><b>⚠ CAUTION</b> USE COPPER CONDUCTORS ONLY! UNIT TERMINALS ARE NOT DESIGNED TO ACCEPT OTHER TYPES OF CONDUCTORS. FAILURE TO DO SO MAY CAUSE DAMAGE TO THE EQUIPMENT!</p>
---	--

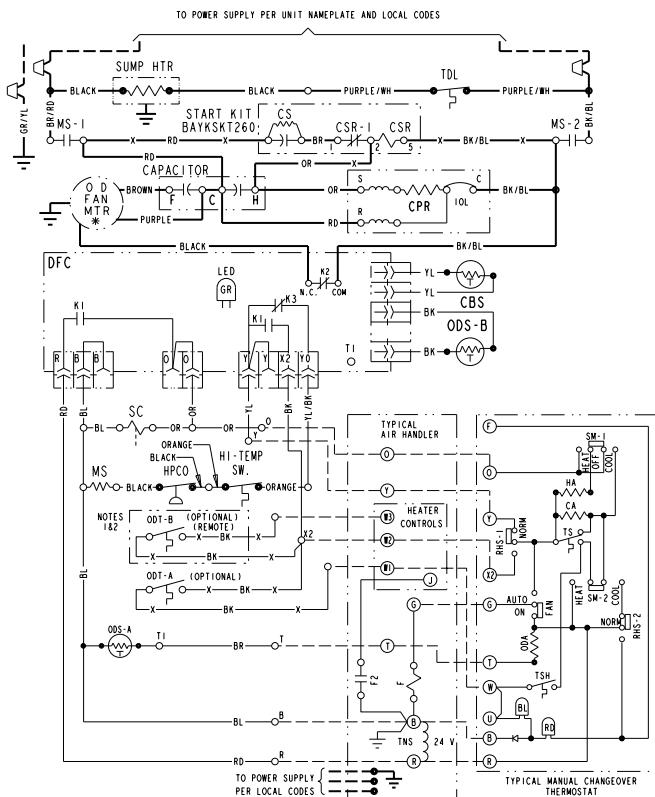
FOR CANADIAN INSTALLATIONS  
POUR INSTALLATIONS CANADIENNES  
CAUTION: NOT SUITABLE FOR USE ON SYSTEMS EXCEEDING 150V-TO-GROUND.  
ATTENTION: NE CONVIENT PAS AUX INSTALLATIONS DE PLUS DE 150 V A LA TERRE.

# Electrical Data

## Schematic Diagrams

(SEE LEGEND)

### 4TWR4048A



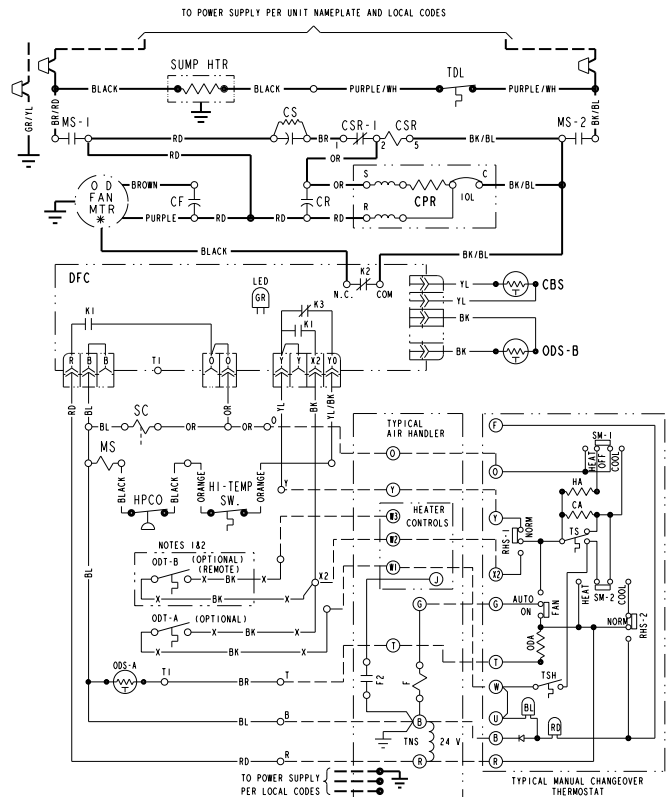
**NOTES:**

- IF ODT-B IS NOT USED, ADD JUMPER BETWEEN W2 & W3 AT AIR HANDLER.  
IF USED, ODT-B MUST BE MOUNTED REMOTE OF CONTROL BOX IN AN APPROVED WEATHER PROOF ENCLOSURE.
- IF ODT-A IS NOT USED, ADD JUMPER BETWEEN W1 & W2 AT AIR HANDLER.
- LOW VOLTAGE (24 V.) FIELD WIRING MUST BE 18 AWG MIN.

<p><b>⚠ WARNING</b> HAZARDOUS VOLTAGE! DISCONNECT ALL ELECTRIC POWER INCLUDING REMOTE DISCONNECTS BEFORE SERVICING. FAILURE TO DISCONNECT POWER BEFORE SERVICING CAN CAUSE SEVERE PERSONAL INJURY OR DEATH!</p>	<p><b>⚠ CAUTION</b> USE COPPER CONDUCTORS ONLY! UNIT TERMINALS ARE NOT DESIGNED TO ACCEPT OTHER TYPES OF CONDUCTORS. FAILURE TO DO SO MAY CAUSE DAMAGE TO THE EQUIPMENT!</p>
---	--

FOR CANADIAN INSTALLATIONS  
POUR INSTALLATIONS CANADIENNES  
**CAUTION: NOT SUITABLE FOR USE ON SYSTEMS EXCEEDING 150V-TO-GROUND.**  
**ATTENTION: NE CONVIENT PAS AUX INSTALLATIONS DE PLUS DE 150 V A LA TERRE.**

### 4TWR4060A



**NOTES:**

- IF ODT-B IS NOT USED, ADD JUMPER BETWEEN W2 & W3 AT AIR HANDLER.  
IF USED, ODT-B MUST BE MOUNTED REMOTE OF CONTROL BOX IN AN APPROVED WEATHER PROOF ENCLOSURE.
- IF ODT-A IS NOT USED, ADD JUMPER BETWEEN W1 & W2 AT AIR HANDLER.
- LOW VOLTAGE (24 V.) FIELD WIRING MUST BE 18 AWG MIN.


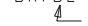
<p><b>⚠ WARNING</b> HAZARDOUS VOLTAGE! DISCONNECT ALL ELECTRIC POWER INCLUDING REMOTE DISCONNECTS BEFORE SERVICING. FAILURE TO DISCONNECT POWER BEFORE SERVICING CAN CAUSE SEVERE PERSONAL INJURY OR DEATH!</p>	<p><b>⚠ CAUTION</b> USE COPPER CONDUCTORS ONLY! UNIT TERMINALS ARE NOT DESIGNED TO ACCEPT OTHER TYPES OF CONDUCTORS. FAILURE TO DO SO MAY CAUSE DAMAGE TO THE EQUIPMENT!</p>
---	--

FOR CANADIAN INSTALLATIONS  
POUR INSTALLATIONS CANADIENNES  
**CAUTION: NOT SUITABLE FOR USE ON SYSTEMS EXCEEDING 150V-TO-GROUND.**  
**ATTENTION: NE CONVIENT PAS AUX INSTALLATIONS DE PLUS DE 150 V A LA TERRE.**





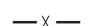





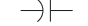

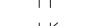


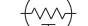





# Electrical Data

## Schematic Diagrams

### LEGEND

	COLOR OF WIRE				
BK/BL	BLACK WIRE WITH BLUE MARKER				
	COLOR OF MARKER				
BK	BLACK	OR	ORANGE	YL	YELLOW
BL	BLUE	RD	RED	GR	GREEN
BR	BROWN	WH	WHITE	PR	PURPLE

### SYMBOLS

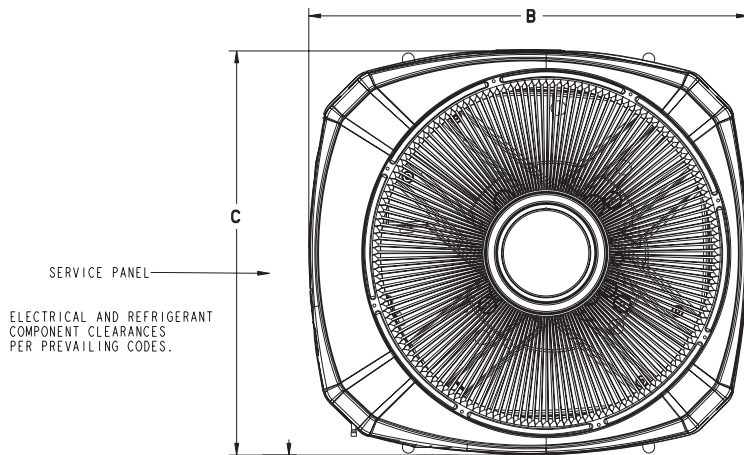
	24 V.	}	FACTORY WIRING
	LINE V.		
	24 V.	}	FIELD WIRING
	LINE V.		
	FIELD INSTALLED FACTORY WIRING		
	GROUND		
	JUNCTION		
	WIRE NUT OR CONNECTOR		
	COIL		
	CAPACITOR		
	RELAY CONTACT (N.O.)		
	RELAY CONTACT (N.C.)		
	THERMISTOR		
	INTERNAL OVERLOAD PROTECTOR		
	PRESSURE ACTUATED SWITCH		
	TEMP. ACTUATED SWITCH		
	POL. PLUG FEMALE HOUSING (MALE TERM.)		
	POL. PLUG MALE HOUSING (FEMALE TERM.)		
	RESISTOR OR HEATING ELEMENT		
	MOTOR WINDING		
	TERMINAL		

CA	COOLING ANTICIPATOR	LPCO	LOW PRESSURE CUTOUT SW.
CBS	COIL BOTTOM SENSOR	MS	COMPRESSOR MOTOR CONTACTOR
CF	FAN CAPACITOR	ODA	OUTDOOR ANTICIPATOR
CN	WIRE CONNECTOR	OFT	OUTDOOR FAN THERMOSTAT
CPR	COMPRESSOR	ODS	OUTDOOR TEMPERATURE SENSOR
CR	RUN CAPACITOR	ODT	OUTDOOR THERMOSTAT
CS	STARTING CAPACITOR	RHS	RESISTANCE HEAT SWITCH
CSR	CAPACITOR SWITCHING RELAY	SC	SWITCHOVER VALVE SOLENOID
DFC	DEFROST CONTROL	SM	SYSTEM "ON-OFF" SWITCH
F	INDOOR FAN RELAY	TDL	DISCHARGE LINE THERMOSTAT
HA	HEATING ANTICIPATOR	TNS	TRANSFORMER
HPCO	HIGH PRESSURE CUTOUT SW.	TS	HEATING-COOLING THERMOSTAT
IOL	INTERNAL OVERLOAD PROTECTOR	TSH	HEATING THERMOSTAT

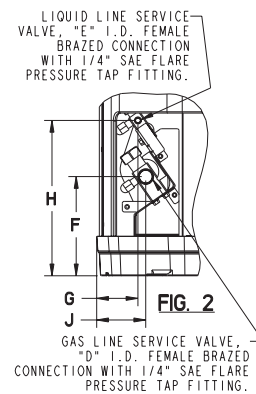
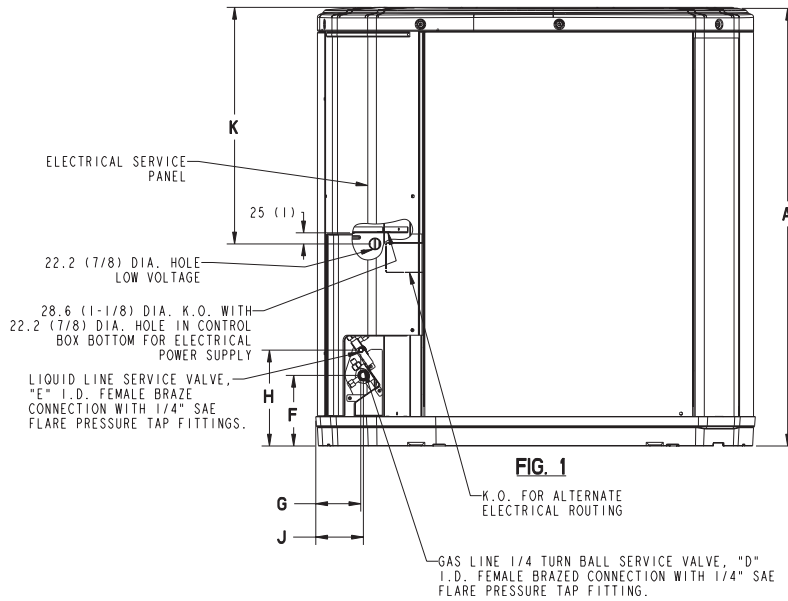
# Dimensions

## 4TWR4 Outline Drawing

NOTE: ALL DIMENSIONS ARE IN MM (INCHES)



TOP DISCHARGE AREA SHOULD BE UNRESTRICTED FOR AT LEAST 1524 (5 FEET) ABOVE UNIT. UNIT SHOULD BE PLACED SO ROOF RUN-OFF WATER DOES NOT POUR DIRECTLY ON UNIT, AND SHOULD BE AT LEAST 305 (12") FROM WALL AND ALL SURROUNDING SHRUBBERY ON TWO SIDES. OTHER TWO SIDES UNRESTRICTED.



MODELS	BASE	FIG.	A	B	C	D	E	F	G	H	J	K
4TWR4024A	3	1	1035 (40-3/4)	829 (32-5/8)	756 (29-3/4)	5/8	5/16	143 (5-5/8)	92 (3-5/8)	210 (8-1/4)	79 (3-1/8)	508 (20)
4TWR4030A	3	1	1035 (40-3/4)	829 (32-5/8)	756 (29-3/4)	3/4	5/16	143 (5-5/8)	92 (3-5/8)	210 (8-1/4)	79 (3-1/8)	508 (20)
4TWR4036A	4	1	943 (37-1/8)	946 (37-1/4)	870 (34-1/4)	3/4	3/8	152 (6)	98 (3-7/8)	219 (8-5/8)	86 (3-3/8)	508 (20)
4TWR4042A	4	1	1045 (41-1/8)	946 (37-1/4)	870 (34-1/4)	3/4	3/8	152 (6)	98 (3-7/8)	219 (8-5/8)	86 (3-3/8)	508 (20)
4TWR4048A	4	1	1045 (41-1/8)	946 (37-1/4)	870 (34-1/4)	7/8	3/8	152 (6)	98 (3-7/8)	219 (8-5/8)	86 (3-3/8)	508 (20)
4TWR4060A	4	1	1045 (41-1/8)	946 (37-1/4)	870 (34-1/4)	7/8	3/8	152 (6)	98 (3-7/8)	219 (8-5/8)	86 (3-3/8)	508 (20)





# Mechanical Specification Options

## General

The 4TWR4 is fully charged from the factory for up to 15 feet of piping. This unit is designed to operate at outdoor ambient temperatures as high as 115°F. Cooling capacities are matched with a wide selection of air handlers and furnace coils that are ARI certified. The unit is UL listed. Exterior is designed for outdoor application.

## Casing

Unit casing is constructed of heavy gauge, G90 galvanized steel and painted with a weather-resistant powder paint on all louvers, panels, prepaint on all other panels. Corrosion and weather-proof CMBP-G30 DuraTuff™ base.

## Refrigerant Controls

Refrigeration system controls include condenser fan, compressor contactor and high pressure switch. High and low pressure controls are inherent to the compressor. A factory installed liquid line drier is standard.

## Compressor

The Climatuff® compressor features a 10 year limited warranty, internal over temperature and pressure protection and total dipped hermetic motor. Other features include: roto lock suction and discharge refrigerant connections, centrifugal oil pump and low vibration and noise.

## Condenser Coil

The outdoor coil provides low airflow resistance and efficient heat transfer. The coil is protected on all four sides by louvered panels and has a 10 year limited warranty.

## Low Ambient Cooling

As manufactured, this unit has a cooling capability to 55°F. The addition of an evaporator defrost control permits operation to 40°F. The addition of an evaporator defrost control with TXV permits low ambient cooling to 30°F.

## Accessories

**Thermostats** — Cooling only and heat/cooling (manual and automatic changeover). Sub-base to match thermostat and locking thermostat cover.

**Evaporator Defrost Control** — See Low Ambient Cooling.



Trane  
A business of  
American Standard Companies  
www.trane.com

Trane has a policy of continuous product and product data improvement and it reserves the right to change design and specifications without notice.