

Fig. B3110 - Adjustable Steel Yoke Pipe Roll (TOLCO Fig. 324)

Size Range: 2" (65mm) thru 24" (600mm) pipe

Material: Cast iron and steel

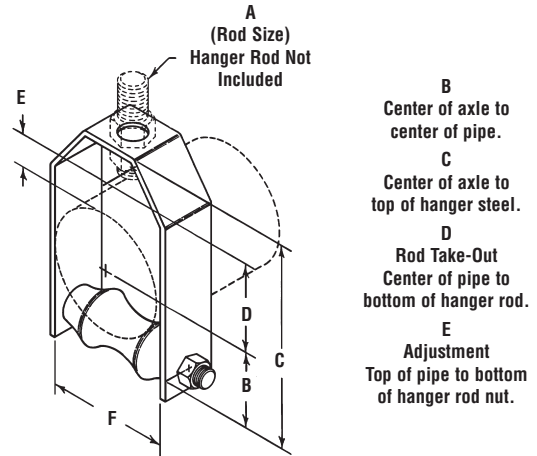
Function: For supporting pipe where movement may occur due to thermal expansion.

Approvals: Conforms to Federal Specification WW-H-171E & A-A-1192A, Type 44, 1" (25mm) thru 20" (500mm), and Manufacturers Standardization Society ANSI/MSS SP-69 & SP-58, Type 43. Included in our Seismic Restraints Catalog approved by the State of California Office of Statewide Health Planning and Development (OSHPD). For additional load, spacing and placement information relating to OSHPD projects, please refer to the Cooper B-Line/TOLCO Seismic Restraint Systems Guidelines.

Note: When pipe line is insulated, total outside diameter of pipe and covering should be used to determine size of hanger; also see B3160 to B3165.

Finish: Plain. Contact Cooper B-Line for alternative finishes and materials.

Order By: Figure number, pipe size and finish



Note: Not for continuous cycling applications.

| Part No. | Pipe Size | | Rod Size A | B | | C | | D | | E | |
|-------------|-----------|-------|---------------|-----------|---------|-----------|---------|----------|---------|----------|--------|
| | in. | (mm) | | in. | (mm) | in. | (mm) | in. | (mm) | in. | (mm) |
| B3110-2 | 2" | (50) | 3/8"-16 | 19/16" | (39.7) | 43/4" | (120.6) | 23/8" | (60.3) | 17/16" | (36.5) |
| B3110-2 1/2 | 2 1/2" | (65) | 1/2"-13 | 17/8" | (47.6) | 6" | (152.4) | 33/16" | (81.0) | 2" | (50.8) |
| B3110-3 | 3" | (80) | 1/2"-13 | 23/16" | (55.6) | 6 5/8" | (168.3) | 3 1/2" | (88.9) | 2" | (50.8) |
| B3110-3 1/2 | 3 1/2" | (90) | 1/2"-13 | 2 1/2" | (63.5) | 7 1/4" | (184.1) | 3 3/4" | (95.2) | 2" | (50.8) |
| B3110-4 | 4" | (100) | 5/8"-11 | 2 3/4" | (69.8) | 7 7/8" | (200.0) | 4" | (101.6) | 2" | (50.8) |
| B3110-5 | 5" | (125) | 5/8"-11 | 3 3/8" | (85.7) | 9 3/16" | (233.4) | 4 9/16" | (115.9) | 2" | (50.8) |
| B3110-6 | 6" | (150) | 3/4"-10 | 3 15/16" | (100.0) | 10 3/8" | (263.5) | 5 1/16" | (128.6) | 2" | (50.8) |
| B3110-8 | 8" | (200) | 3/4"-10 | 5 1/16" | (128.6) | 12 5/8" | (320.7) | 6 1/16" | (154.0) | 2" | (50.8) |
| B3110-10 | 10" | (250) | 7/8"-9 | 6 1/4" | (158.7) | 14 15/16" | (379.4) | 7 3/16" | (182.6) | 2 1/16" | (52.4) |
| B3110-12 | 12" | (300) | 7/8"-9 | 7 3/8" | (187.3) | 17 3/8" | (441.3) | 8 3/8" | (212.7) | 2 1/4" | (57.1) |
| B3110-14 | 14" | (350) | 1"-8 | 8 1/4" | (209.5) | 19" | (482.6) | 8 3/4" | (222.2) | 2 1/4" | (57.1) |
| B3110-16 | 16" | (400) | 1"-8 | 9 1/4" | (234.9) | 20 3/4" | (527.0) | 9 3/4" | (247.6) | 2" | (50.8) |
| B3110-18 | 18" | (450) | 1"-8 | 10 3/8" | (263.5) | 23 11/16" | (601.7) | 11 7/16" | (290.5) | 2 11/16" | (68.3) |
| B3110-20 | 20" | (500) | 1 1/4"-7 | 11 1/2" | (292.1) | 25 7/8" | (657.2) | 12 1/4" | (311.1) | 2 1/2" | (63.5) |
| B3110-24 | 24" | (600) | 1 1/2"-6 | 13 13/16" | (350.8) | 31 9/16" | (801.7) | 15" | (381.0) | 3 1/2" | (88.9) |

| Part No. | F | | Maximum O.D. Covering | | Design Load | | Approx. Wt./100 | |
|-------------|----------|---------|-----------------------|---------|-------------|--------|-----------------|----------|
| | in. | (mm) | in. | (mm) | lbs. | (kN) | Lbs. | (kg) |
| B3110-2 | 2 7/8" | (73.0) | 2 5/8" | (66.7) | 150 | (.67) | 123 | (55.8) |
| B3110-2 1/2 | 3 1/4" | (82.5) | 3" | (76.2) | 225 | (1.00) | 178 | (80.7) |
| B3110-3 | 3 7/8" | (98.4) | 3 5/8" | (92.1) | 310 | (1.38) | 206 | (93.4) |
| B3110-3 1/2 | 4 3/8" | (111.1) | 4 1/8" | (104.8) | 390 | (1.73) | 267 | (121.1) |
| B3110-4 | 4 7/8" | (123.8) | 4 11/16" | (119.1) | 475 | (2.11) | 344 | (156.0) |
| B3110-5 | 5 15/16" | (150.8) | 5 3/4" | (146.0) | 685 | (3.04) | 600 | (272.1) |
| B3110-6 | 7" | (177.8) | 6 3/4" | (171.4) | 780 | (3.47) | 800 | (362.9) |
| B3110-8 | 9" | (228.6) | 8 3/4" | (222.2) | 780 | (3.47) | 1300 | (589.7) |
| B3110-10 | 11 1/8" | (282.6) | 10 3/4" | (273.0) | 965 | (4.29) | 1600 | (725.7) |
| B3110-12 | 13 3/8" | (339.7) | 13" | (330.2) | 1200 | (5.34) | 2600 | (1179.3) |
| B3110-14 | 14 1/2" | (368.3) | 14 1/4" | (361.9) | 1200 | (5.34) | 3400 | (1542.2) |
| B3110-16 | 16 3/8" | (415.9) | 16 1/8" | (409.6) | 1200 | (5.34) | 3900 | (1769.0) |
| B3110-18 | 18 3/8" | (466.7) | 18 1/8" | (460.4) | 1400 | (6.23) | 4900 | (2222.6) |
| B3110-20 | 20 3/8" | (517.5) | 20 1/8" | (511.2) | 1600 | (7.11) | 6686 | (3032.7) |
| B3110-24 | 24 5/8" | (625.5) | 24 3/8" | (619.1) | 1800 | (8.00) | 11630 | (5275.3) |



Notes: If using D.I. pipe refer to page 295 for sizing. Non-metallic rollers with stainless steel yoke and hardware are available for most sizes (B3110NM-Pipe Size). Contact Cooper B-Line Engineering for more information.

All dimensions in charts and on drawings are in inches. Dimensions shown in parentheses are in millimeters unless otherwise specified.