

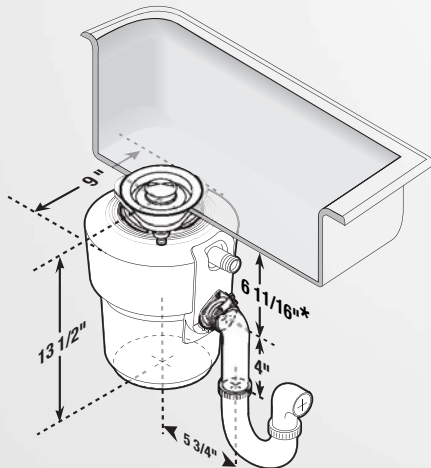
in sink erator®

Evolution PRO Series™

Grind More. Hear Less.™

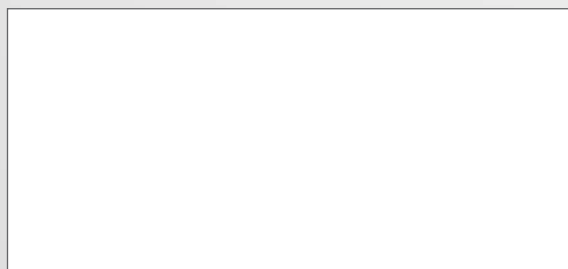


Dimensions



* Add 1/2" when stainless steel sinks are used.

Job Specifications



Food Waste Disposers

Evolution PRO Excel™

For those who enjoy the very best kitchen appliances.

MODEL: PRO XL

Submittal Sheet

The ultimate in disposer performance. Nothing grinds more with less noise.

- **SoundSeal Plus™** technology reduces disposer noise by at least 60% vs. standard disposers.
- **MultiGrind Plus™** technology delivers 3 stages of grind vs. 1 stage in standard disposer.
- Exclusive **Jam-Sensor Circuit™** feature. Increases motor torque 500% to automatically break through the toughest jams.
- Includes sound-reducing **Quiet-Collar™** Sink Baffle containing antimicrobial material.

Sample Specification

Food Waste Disposer(s) shall be InSinkEerator Model Evolution PRO Excel™ with MultiGrind Plus and SoundSeal Plus technologies, 1.0 HP motor, Auto-Reverse Grind System™ feature, Stainless Steel Grind Chamber and components.

Warranty:
7-Year parts and in-home service.
(+ 3-Year Pro Circle™ Extended Warranty Option)

* The complete InSinkEerator warranty is included in the Care & Use Booklet packed with each unit.

Specifications

Type of Feed	Continuous
On/Off Control	Wall Switch
Motor	Single Phase
HP	1.0
Reversing	Auto-Reverse Grind System™ feature
Volts	120
HZ	60
RPM	1725
Amp. (Avg. Load)	10.2
Time Rating	Intermittent
Lubrication	Permanently Lubricated Upper & Lower Bearings
Shipping Weight (Approx.)	25.5 lbs.
Unit Finish	Stainless Steel Light Gray TEN-1706
Overall Height	13-1/2"
SoundSeal Plus Technology	Anti-Vibration Mount™ Anti-Vibration Tailpipe Mount™ Antimicrobial Quiet-Collar™ Sink Baffle Multi-Layer SoundLimiter™ Insulation
MultiGrind Plus Technology	GrindShear Ring™ Tri-Action Lug System™ feature Undercutter Disk™ Jam-Sensor Circuit™
Grind Chamber Capacity	40 oz.
Motor Protection	Manual Reset Overload
Average Water Usage	1/4 Gallon Per Person Per Day
Average Electrical Usage	1/2 KWH Per Month
Drain Connection	1-1/2" Anti-Vibration (Hose Clamp)
Dishwasher Drain Connection	Yes



EMERSON
Appliance Solutions

The Emerson logo is a trademark and service mark of Emerson Electric Co.

InSinkEerator is a division of Emerson Electric Co.