

# SHOWER ARM ADAPTER

» 616 SERIES

SHOWER WALLNUT™

ITEM # SUBMITTED _____
JOB NAME _____
LOCATION _____
ENGINEER _____
CONTRACTOR _____
PO# _____ TAG _____

## SPECIFICATION

Sioux Chief's Shower Arm Adapter WallNut shall be installed at shower riser. Riser shall be 1/2" nominal Type L Sioux Chief stub out ell that is supported by Sioux Chief Strong Arm Bracket with WallNut Lock Block tube clamping device. No substitutions otherwise Limited Lifetime Warranty is void. Shower Arm Adapter shall be UPC IAPMO Listed. Shower WallNut System allows stub out connection outside the finished wall eliminating hidden leaks at the riser which promote mold growth. Use with brass shower arms only. Do not use thread sealant or Teflon tape on WallNut end of shower arm.

## INSTALLATION

Brace copper stub out ell using Strong Arm Bracket with Shower WallNut Lock Block at rough in stage. After finished wall has been installed, sand the entire stub out surface back to the finished wall. Cut off the stub out leaving exactly 1 1/2" stubbed out from the wall. Push Shower wallnut over stub out and against wall. Insert nose of slip-lock pliers into stub out opening and hold tube firmly. Swing shower arm tool or second pair of sliplock pliers levering off first pair to cinch wallnut adapter firmly against the finished wall. Do NOT use thread sealant or Teflon tape on Shower WallNut end of shower arm. Use Brass Shower Arms only. Hold hex then thread shower arm completely and tightly into FIP threads. Using pliers on hex of wallnut adapter rotate shower arm to final 6-o'clock position. To prevent rotation of shower arm, install #9x1 1/4" s/s screw through molded hole in flange of Shower WallNut and penetrate through the drywall and into the SWN Lock Block (bracketed behind the wall). Firmly push deep escutcheon onto Shower WallNut until it snaps and locks into plate.

## MATERIALS

- WallNut shower arm adapter: 40% glass-filled nylon
- Lock ring: 301 stainless steel
- O-ring: Buna-N
- Escutcheon: plated brass (see options below)
- Screw: #9 x 1 1/4" Type 304 stainless steel

## IMPORTANT WARRANTY NOTE

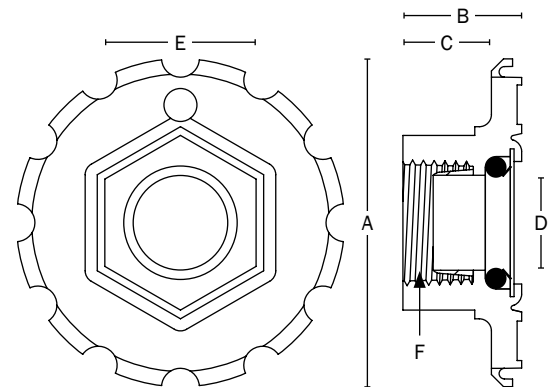
Sioux Chief's Limited Lifetime Warranty is only applicable when Sioux Chief components (a) Stub Out Ell (b) Strong Arm Bracket with WallNut Lock Block and (c) Shower WallNut Shower Arm Adapter are used and installed according to manufacturer's installation guidelines. Substitute components voids warranty.

## SAFE WORKING TEMPERATURE

140°F

## DIMENSIONS

- |                    |                           |                     |
|--------------------|---------------------------|---------------------|
| A: diameter 2.175" | C: height of nose 0.589"  | E: wrench flats 1"  |
| B: height 0.775"   | D: I.D. of ferrule 0.623" | F: FIP threads 1/2" |



## Create Item Number

### 616-02 A

e.g. 616-02RB: Shower WallNut, escutcheon with rubbed bronze finish

#### ESCUTCHEON FINISH A

- C = Chrome
- P = Polished Brass
- W = White Enamel
- RB = Rubbed Bronze
- SN = Satin Nickel