

Fig. 907 - 4-Way Longitudinal Sway Brace Attachment

Size Range: 1" (25.4mm) x 1" (25.4mm), 1" (25.4mm) x 1 1/4" (31.7mm) and 1 1/4" (25.4mm) x 1 1/4" (25.4mm) bracing pipe.

Material: Steel, hardened cone (or cup) point set screw

Function: For bracing pipe against sway and seismic disturbances, Functions as a longitudinal brace connection when attached to a lateral brace pipe. Bracing connection must be positioned as close as physically possible to the braced pipe (No more than 3" (76.2mm) away). Must be used only with Cooper B-Line/TOLCO bracing components. When used in conjunction with Fig. 1000, this combination bracing restricts piping movement in tension and compression both laterally and longitudinally.

Approvals: Included in our Seismic Restraints Catalog approved by the State of California Office of Statewide Health Planning and Development (OSHPD). For additional load, spacing and placement information relating to OSHPD projects, please refer to the Cooper B-Line/TOLCO Seismic Restraint Systems Guidelines.

Installation Instructions: Fig. 907 is a transitional component of a longitudinal 4-way sway brace assembly. It is intended to be installed with the longitudinal and lateral "bracing pipes", Cooper B-Line/TOLCO structural attachment fittings, Fig. 909, 910 and 980 and the Fig. 1000 Cooper B-Line/TOLCO "braced pipe" fitting, to form a complete bracing assembly. NFPA 13 and/or OSHPD guidelines should be followed.

To Install: Attach the Fig. 907 over the lateral "bracing pipe" to within 3" (76.2mm) of its position relative to the "braced pipe" connection. Adjust brace angle and tighten set screws until the heads bottom out on surface.

Finish: Plain. Contact Cooper B-Line for alternative finishes and materials.

Order By: Figure number, bracing pipe sizes and finish.



Component of State of California OSHPD Approved Seismic Restraints System

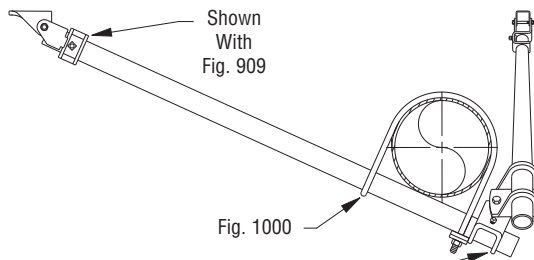
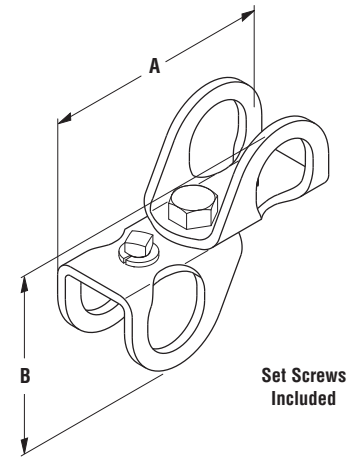
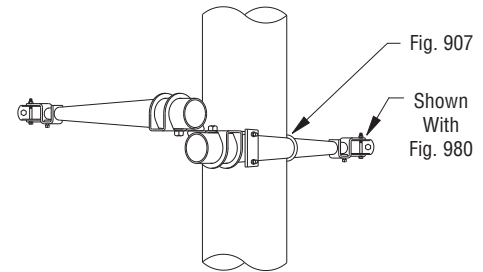


Fig. 907 Can Be Attached On Either Side Of The Pipe Being Braced



4-Way Riser Brace

| Part Number | Brace Pipe Size | | A | | B | | Max. Design Load | | Approx. Wt./100 | |
|-------------------|-----------------|-----------|----------------------------------|---------|-----------------------------------|---------|------------------|--------|-----------------|--------|
| | in. | (mm) | in. | (mm) | in. | (mm) | lbs. | (kN) | lbs. | (kg) |
| 907-1 X 1 | 1" x 1" | (25 x 25) | 4 ³ / ₄ " | (120.6) | 4 ³ / ₄ " | (120.6) | 655* | (2.91) | 103 | (46.7) |
| 907-1 X 1 1/4 | 1" x 1 1/4" | (25 x 32) | 5 ³ / ₁₆ " | (128.6) | 4 ¹³ / ₁₆ " | (122.2) | 655* | (2.91) | 107 | (48.5) |
| 907-1 1/4 X 1 1/4 | 1 1/4" x 1 1/4" | (32 x 32) | 5 ³ / ₈ " | (136.5) | 5 ¹ / ₄ " | (133.1) | 655* | (2.91) | 109 | (49.4) |

* Load will accommodate up to 4" (100mm) pipe at maximum spacing.

Cooper B-Line, Inc.'s ("Cooper B-Line") seismic bracing components are designed to be compatible only with other Cooper B-Line bracing components, resulting in a listed seismic bracing assembly. Cooper-B-Line's warranty for seismic bracing components will be the warranty provided in Cooper B-Line's standard terms and conditions of sale made available by Cooper B-Line, except that, in addition to the other exclusions from Cooper B-Line's warranty, Cooper B-line makes no warranty relating to Cooper B-Line's seismic bracing components that are combined with products not provided by Cooper B-Line.

All dimensions in charts and on drawings are in inches. Dimensions shown in parentheses are in millimeters unless otherwise specified.