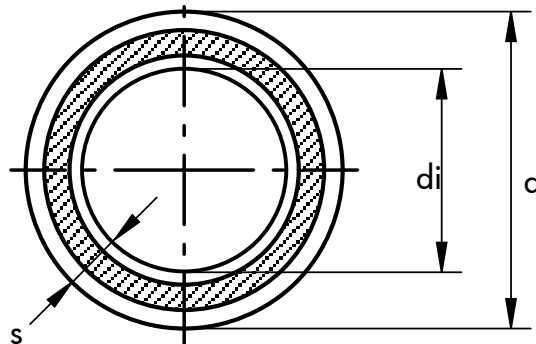


climatherm - faser composite pipe SDR 7.4 / SDR 11

Material : **fujiolen®** PP-R C
 Pipe Series : SDR 7.4 / SDR 11
 In accordance with : NSF-14, CSA-B137.11, ICC AC 122,
 ICC ESR 1613, ASTM F 2389
 Form supplied : 13 ft (4 m) straight lengths and coils
 Color : blue with 4 green stripes



Pipe			Diameter	Wall thickness	Internal diameter	Water capacity	Weight
Art.-No.	Dimension Nom. I.D. -- O.D.	Packing unit	d (in)	s (in)	d _i (in)	gal/ft	lb/ft
2670708	1/2" -- 20 mm SDR7.4	25	0.79	0.11	0.57	0.013	0.107
2670710	3/4" -- 25 mm SDR7.4	25	0.98	0.14	0.71	0.024	0.167
2670112	1" -- 32 mm SDR11	10	1.26	0.11	1.03	0.043	0.189
2670114	1.25" -- 40 mm SDR11	10	1.57	0.15	1.28	0.067	0.292
2670116	1.5" -- 50 mm SDR11	5	1.97	0.18	1.61	0.105	0.454
2670118	2" -- 63 mm SDR11	5	2.48	0.23	2.02	0.167	0.716
2670120	2.5" -- 75 mm SDR11	5	2.95	0.27	2.42	0.237	0.996
2670122	3" -- 90 mm SDR11	3	3.54	0.32	2.90	0.343	1.441
2670124	3.5" -- 110 mm SDR11	2	4.33	0.39	3.54	0.512	2.134
2670126	4" -- 125 mm SDR11	1	4.92	0.45	4.02	0.661	2.767
2670130	6" -- 160 mm SDR11	1	6.30	0.57	5.15	1.082	4.521
2670134	8" -- 200 mm SDR11	1	7.87	0.72	6.44	1.692	7.042
2670138	10" -- 250 mm SDR11	1	9.84	0.89	8.06	2.646	10.953
The following items are supplied in coils (non-faser)							
2610308	1/2" -- 20 mm SDR11	328 ft	0.79	0.11	0.57	0.017	0.107
2610310	3/4" -- 25 mm SDR11	328 ft	0.98	0.14	0.71	0.026	0.164
2610312	1" -- 32 mm SDR11	164 ft	1.26	0.11	1.03	0.043	0.261