

PFBVL2



Quarter Turn Log Lighter Valves

Product Features

- 1/4 turn operation
- 1/2" NPT female inlet/outlet connections with 3/4" NPSM flange thread
- Kit includes valve, escutcheon and key
- Threaded ends comply with ANSI B2.1
- Temperature range: 32°F - 125°F
- BTU rating: Angle pattern: 150,000 BTU/hr. @ 1/2 psi
Straight Pattern: 350,000 BTU/hr @ 1/2 psi
- For use on both natural and propane gas systems



PFBVL2SCP

Model Numbers

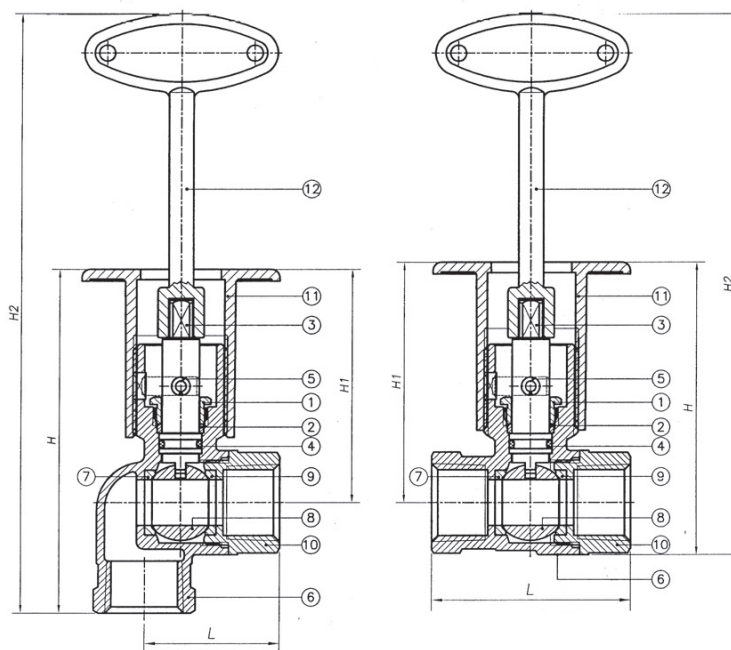
1/4-Turn Log Lighters

- PFBVL2LCP Chrome plated angle valve
- PFBVL2SCP Chrome plated straight valve

Available Parts

- PFP56ACP 3" Log lighter key chrome plated
- PFP56APB 3" Log lighter key polished brass
- PFP57ACP 10" Log lighter key chrome plated
- PFP57APB 10" Log lighter key polished brass

Product Specifications



NO	PARTS	MATERIALS	WATER CONTACT
1	PACKING NUT	BRASS C3600	N
2	PACKING	TEFLON POLYFLON	N
3	STEM	BRASS C3600	Y
4	O-RING	RUBBER	Y
5	PIN	STAINLESS STEEL	N
6	BODY	BRASS C85710	Y
7	PACKING	TEFLON POLYFLON	Y
8	BALL	BRASS C3600	Y
9	PACKING	TEFLON POLYFLON	Y
10	BONNET	BRASS C85710	Y
11	COVER	ZINC	N
12	KEY	ZINC	N

ITEM NO	SIZE	DIMENSIONS							
		L		H		H1		H2	
PFBVL2LCP	1/2"	1.5"	38mm	3.63"	92mm	2.42"	61.5mm	6.48"	164.5mm
PFBVL2SCP	1/2"	2.19"	55.5mm	3.0"	76mm	2.42"	61.5mm	3.85"	148.5mm

Warranty and Codes

This PROFLO product carries a 1-year limited warranty. ISO-9000 certified manufacturer. Manufacturer tested to ANSI: Z21.15-1989.