

Standard Log Lighter Valves

Product Features

- 1/2" NPT female inlet/outlet connections
- Kit includes valve, escutcheon and key
- Threaded ends comply with ANSI B2.1
- Temperature range: 32°F - 125°F
- Maximum pressure 1/2 psig
- 4 1/2 full rotations between the full off and on positions
- 0.3 in (0.011 PSI) water column pressure drop capacity is 83,950 BTU/hr based on 1,000 BTU/cubic feet, 0.64 specific gravity gas
- For use on both natural and propane gas systems



PFSVS2CP

Model Numbers

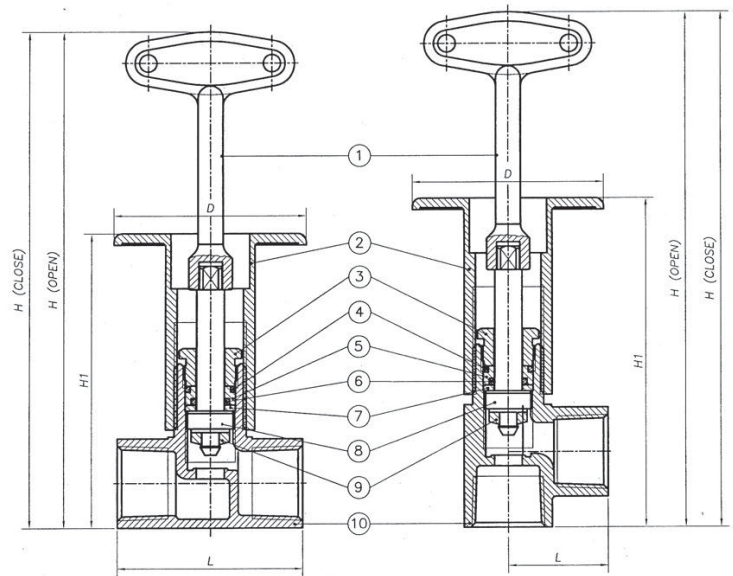
Multi-Turn Log Lighters

- PFSVL2CP Chrome plated angle valve
- PFSVL2PB Polished brass angle valve
- PFSVS2CP Chrome plated straight valve
- PFSVS2PB Polished brass straight valve

Available Parts

- PFP56ACP 3" Log lighter key chrome plated
- PFP56APB 3" Log lighter key polished brass
- PFP57ACP 10" Log lighter key chrome plated
- PFP57APB 10" Log lighter key polished brass

Product Specifications



ITEM NO	SIZE	DIMENSIONS				
		D	H1	H (OPEN)	H (CLOSE)	L
PFSVS2XX	1/2"	55	91.5	159	152	53
PFSVL2XX	1/2"	55	99.5	164	155	29

NO	PARTS	PART NO	MATERIALS	WATER CONTACT
1	T-HANDLE	IDL - T - ZN	ZINC Z30A 99.90 - 99.95%	N
2	COVER	CV - ZN	ZINC Z30A 99.90 - 99.95%	N
3	PACKING NUT	MURPACK - K	BRASS B16 C3600	N
4	O RING	O RING - R	RUBBER (NBR) SAE NO 1052 #	Y
5	O RING HOUSE	RMHOR - TF	TEFLON POLYFLON PFTE M-392	Y
6	O RING	O RING - R	RUBBER (NBR) SAE NO 1052 #	Y
7	WASHER	RNGPLAT - STS	STAINLESS STEEL 304	Y
8	STEM	STNG - K	BRASS B16 C3600	Y
9	SEAT PACKING	KRTKLP - P	NYLON 66	Y
10	BODY	BDY - K	BRASS B584 C85710	Y

Warranty and Codes

This PROFLO product carries a 1-year limited warranty. ISO-9000 certified manufacturer. Manufacturer tested to ANSI Z21.15/CSA 9.1

