

*For Residential and Commercial Applications*

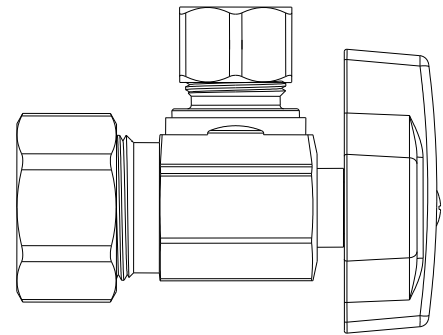
Job Name		Engineer / Architect	
Job Location		Wholesaler	
Submittal Date		Contractor	

## KTCR09/19/39X 1/4 Turn Angle Ball Stop – Compression x Compression

**Use:** For use in potable water distribution systems in accessible locations only.

**Design Features:**

- **Precision-machined brass ball** is specially engineered and mated with PTFE seats to provide smooth operation
- **Two high-performance o-rings** withstand high temperatures and corrosion
- **Machined one-piece brass body** provides strength, durability and long-lasting performance
- **Blow-out proof brass stem** is assembled from the inside out with two o-rings to ensure safe, reliable performance
- **Plated stem** provides corrosion resistance and prevents o-ring damage
- **Metal handle** is designed for durability, corrosion resistance and a sleek appearance
- **Easy-to-remove handle** with screw attachment helps protect against accidental stop operation during rough-ins
- **100% leak tested**
- 



**Operating Specifications:**

**Temperature:** 40° - 180° F  
**Pressure:** 125 PSI maximum

<b>STOP MATERIAL SPECIFICATIONS</b>	
<b>Body</b>	<i>Brass, plated</i>
<b>Stem</b>	<i>Brass, plated</i>
<b>Seats</b>	<i>PTFE</i>
<b>Ball</b>	<i>Brass, plated</i>
<b>Stem O-rings</b>	<i>Rubber</i>
<b>Handle</b>	<i>Zinc die cast</i>
<b>Screw</b>	<i>Steel, zinc plated</i>
<b>Compression Sleeve</b>	<i>Brass</i>
<b>Compression Nut</b>	<i>Brass, plated</i>

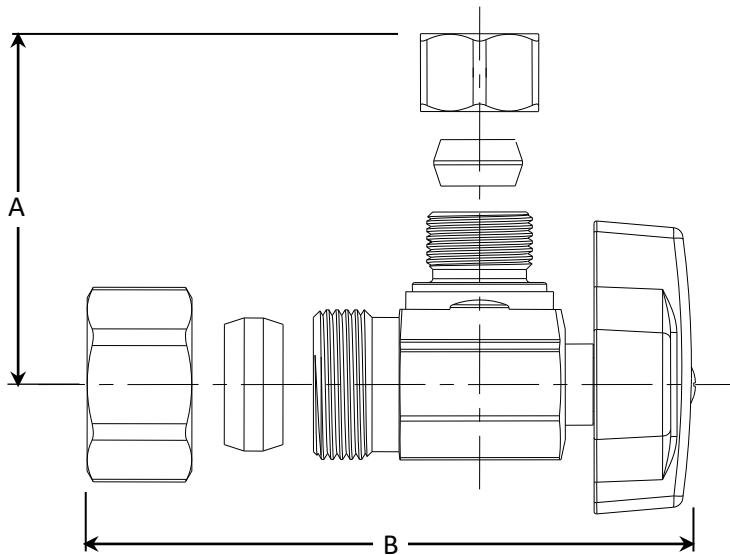
*This specification and all information contained herein is the confidential and exclusive property of Brasscraft Manufacturing Company and shall not be disclosed to others without the written consent of Brasscraft Mfg. Co. This specification must be returned to Brasscraft Mfg. Co. if requested.*

# KTCR09/19/39X 1/4 Turn Angle Ball Stop – Compression x Compression

**Part Listing:**

- KTCR09X C 1/2" nom compression x 1/4" OD compression, chrome plated
- KTCR09X R 1/2" nom compression x 1/4" OD compression, rough brass
- KTCR19X C 1/2" nom compression x 3/8" OD compression, chrome plated
- KTCR39X C 1/2" nom compression x 1/2" OD compression, chrome plated

<b>PART DIMENSIONS (Inches)</b>		
<b>Model</b>	<b>DIM. A</b>	<b>DIM. B</b>
KTCR09X	1.04	2.36
KTCR19X	1.12	2.36
KTCR39X	1.13	2.36



**Listings & Certifications:**

- IAPMO listed to ASME A112.18.1 / CSA B125.1 (includes NSF/ANSI 372 and NSF61)



*This specification and all information contained herein is the confidential and exclusive property of Brasscraft Manufacturing Company and shall not be disclosed to others without the written consent of Brasscraft Mfg. Co. This specification must be returned to Brasscraft Mfg. Co. if requested.*