



Model 70XL

Water Pressure Reducing Valve

Application

Ideal for use where Lead-Free* valves are required. Designed for installation on potable water lines to reduce high inlet pressure to a lower outlet pressure. The unitized replaceable cartridge reduces time involved with cleaning and maintenance. The direct acting integral bypass design prevents buildup of excessive system pressure caused by thermal expansion. The balanced piston design enables the regulator to react in a smooth and responsive manner to changes in system flow demand, while at the same time, providing protection from inlet pressure changes.

Standards Compliance

- ASSE® Listed 1003
- IAPMO® Listed
- CSA® Certified
- City of Los Angeles Approved
- Meets the requirements of NSF/ANSI/CAN 61*
*(0.25% MAX. WEIGHTED AVERAGE LEAD CONTENT)

Materials

Body and bell	Cast bronze, ASTM B 584
Seat	Stainless Steel, 300 series
Stem & sleeve	Stainless Steel, 300 series
Elastomers	Buna nitrile, FDA (CFR) 21, 177.2600 EPDM, FDA (CFR) 21, 177.2600
Strainer screen	Stainless Steel, 300 series

Features

Sizes:	3/4", 1"
Maximum working water pressure	300 psi
Maximum working water temperature	140°F
Reduced pressure range	25 psi to 75 psi
Factory preset	50 psi
Threaded connections (FNPT)	ANSI B1.20.1
Copper connections (FC)	ANSI B16.22
CPVC tailpiece: Max. hot water temp.	180°F @ 100 psi
	Cold water rated temp. 73.4°F @ 400 psi



LEAD FREE



NSF/ANSI/CAN 61

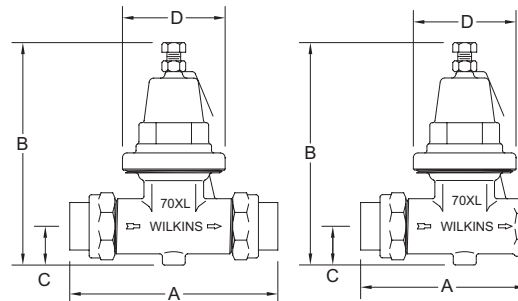
Options

(Suffixes can be combined)

- standard with single union FNPT connection and 20 mesh strainer screen
- C - with FC (copper sweat) union connection
- DM - double male meter tailpiece connection (3/4); 1" National Hose Thread fits 5/8" x 3/4" and 3/4" water meters (no union included)
- DU - with double union FNPT connection
- P - tapped & plugged for gauge
- G - tapped & plugged with gauge
- SC - sealed cage bell housing and stainless steel adjusting screw
- SS - sealed cage bell housing with stainless steel adjusting screw and spring
- CPVC - CPVC tailpiece connection
- LP - low pressure outlet 10-35 psi available in 3/4" single union, & 3/4" double union
- CM - with male copper sweat union connection
- DUPF - with Z-Bite™ push fit tailpiece connection 250 psi max pressure
- DUPR - with Z-Press™ press fit tailpiece connection 250 psi max pressure

Accessories

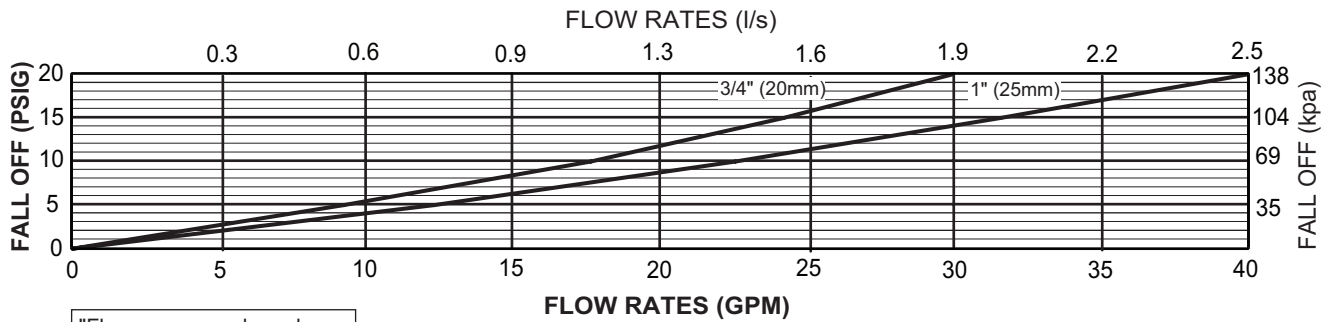
- Repair kit
- Water thermal expansion tank (Model XT)
- Special in-line spacer nipple (34-70DUSPC & 1-70DUSPC)
- In-line strainer screen for DUSPC (SCR)
- Water hammer arrester (Model 1250XL)
- Z-Bite™ push fit Tailpiece kit (TPKXLPF) 250 psi max pressure
- Z-Press™ press fit Tailpiece kit (TPKXLPR) 250 psi max pressure



Dimensions & Weights (do not include pkg.)

SIZE		CONNECTIONS	DIMENSIONS (approximate)								WEIGHT	
			A		B		C		D			
in.	mm		in.	mm	in.	mm	in.	mm	in.	mm	lbs.	kg.
3/4	20	SINGLE UNION	4 5/8	117	6	152	1	25	2 3/4	70	2.9	1.3
3/4	20	DOUBLE UNION	6	152	6	152	1 1/8	29	2 3/4	70	3.0	1.4
1	25	SINGLE UNION	5	127	6 11/16	170	1	25	3 3/8	86	4.1	1.9
1	25	DOUBLE UNION	5 7/8	149	6 11/16	170	1 1/8	29	3 3/8	86	4.5	2.0

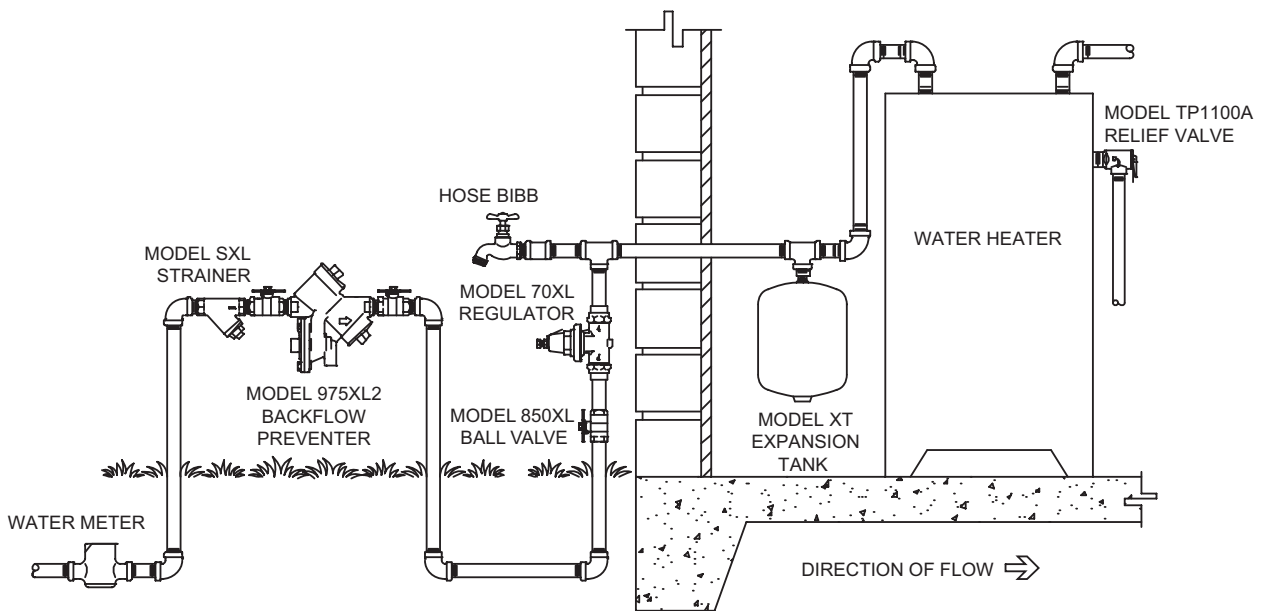
MODEL 70XL 3/4" & 1" (STANDARD & METRIC)



"Flow curves are based on a 50 psi pressure differential"

Typical Installation

Local codes shall govern installation requirements. Unless otherwise specified, the assembly shall be mounted in accordance with the manufacturer’s instructions and the latest edition of the Uniform Plumbing Code. The assembly shall be installed with sufficient side clearance for testing and maintenance. The Model 70XL may be installed in any position. If installed in a pit, vault or indoors, specify the “SC” sealed cage option. Multiple installations are recommended for wide demand variations or where the desired pressure reduction is more than 4 to 1 (i.e.: 200 psi inlet reduced to 50 psi outlet). CAUTION: Anytime a reducing valve is adjusted, a pressure gauge must be used downstream to verify correct pressure setting. Do not bottom adjustment bolt on bell housing.



Typical Installation

Specifications

The Pressure Reducing Valve shall be certified to NSF/ANSI/CAN 61, of the direct-acting type, and ASSE® 1003 Listed. The integral bypass check valve main body and bell housing shall be cast bronze (ASTM B 584). The pressure reducing valve shall be of the balanced piston design and shall reduce pressure in both flow and no-flow conditions using an adjusting bolt. All internal parts shall be corrosion resistant and included in a replaceable cartridge. The bronze bell housing shall be threaded to the body and shall not require the use of ferrous screws. The Pressure Reducing Valve shall be a ZURN WILKINS Model 70XL.