



SPLIT-TYPE AIR CONDITIONERS

Revision D:

• MXZ-3B24NA-□, MXZ-3B30NA-□, and MXZ-4B36NA-□ have been added.

Please void OBB560 REVISED EDITION-C.

OUTDOOR UNIT PARTS CATALOG



No. OBB560
REVISED EDITION-D

Models

MXZ-2B20NA, - □ 1

MXZ-3B24NA, - □ 1

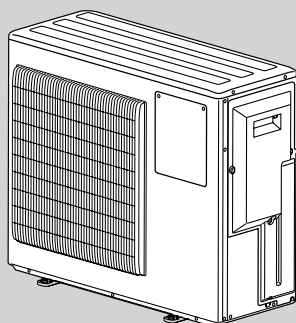
MXZ-3B30NA, - □ 1

MXZ-4B36NA, - □ 1

CONTENTS

1. RoHS PARTS LIST.....	2
2. OPTIONAL PARTS.....	10

SERVICE MANUAL (OBH560)



MXZ-2B20NA

NOTE:

• RoHS compliant products have <G> mark on the spec name plate.



The Slim Line.
From Mitsubishi Electric.

Mr. SLIM

TM

Revision A:

• MXZ-2B20NA-□ has been added.

Revision B:

• MXZ-3B24NA and MXZ-4B36NA have been added.

Revision C:

• MXZ-3B30NA has been added.

Revision D:

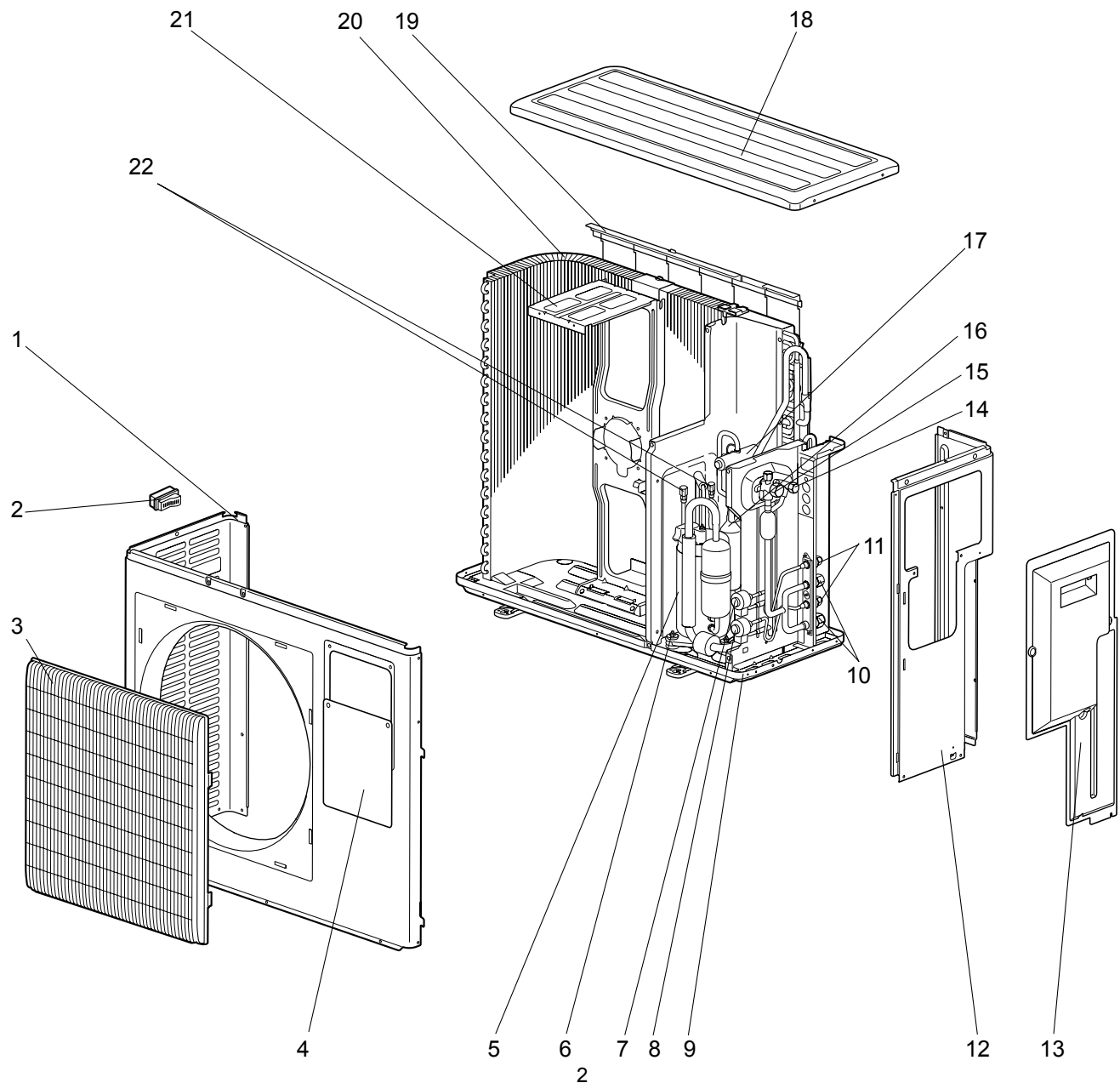
• MXZ-3B24NA-□, MXZ-3B30NA-□, and MXZ-4B36NA-□ have been added.

1

RoHS PARTS LIST (RoHS compliant)

MXZ-2B20NA

1-1. OUTDOOR UNIT STRUCTURAL PARTS AND FUNCTIONAL PARTS



PARTS LIST (RoHS compliant)

MXZ-2B20NA

1-1. OUTDOOR UNIT STRUCTURAL PARTS AND FUNCTIONAL PARTS

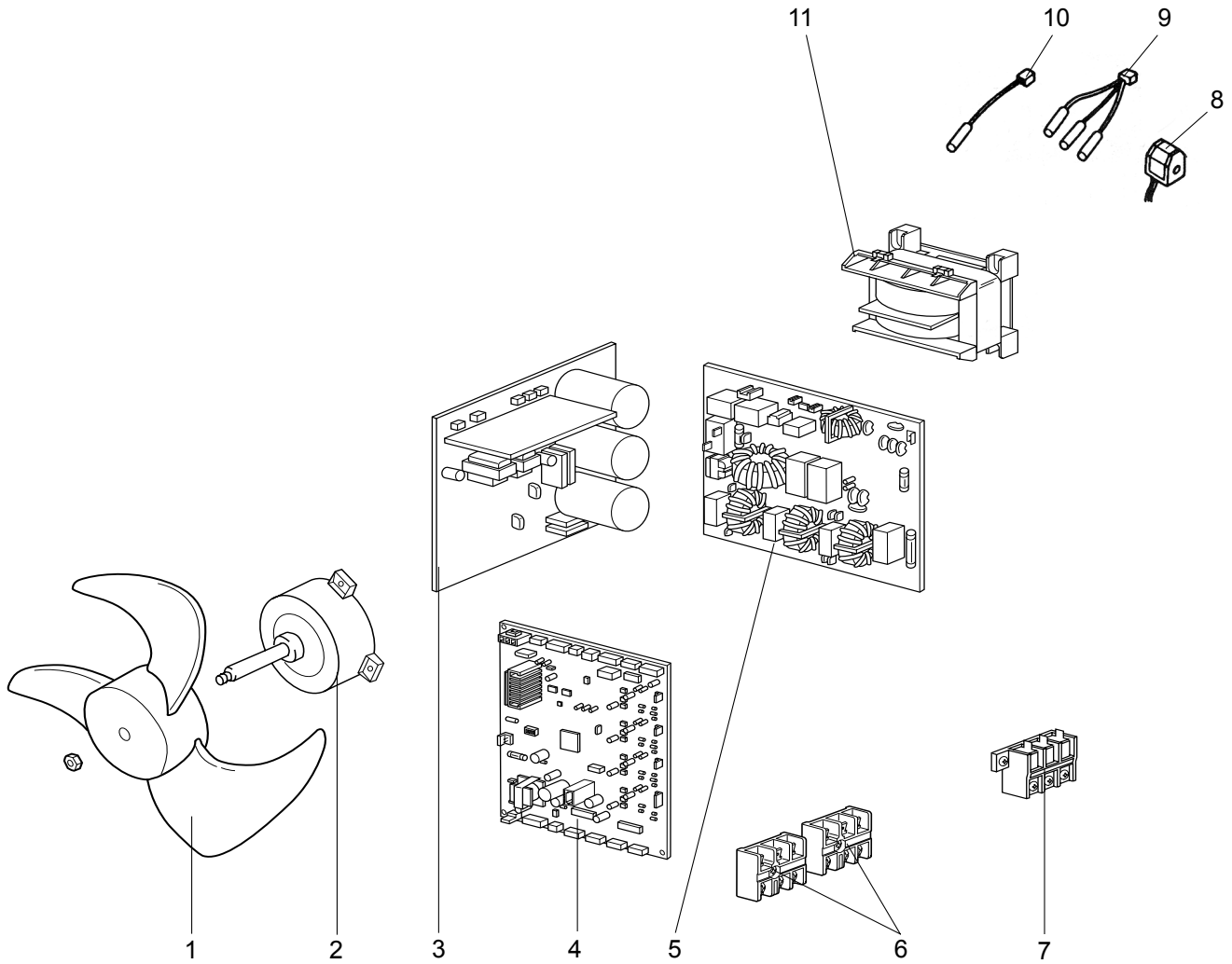
Part numbers that are circled are not shown in the illustration.

No.	RoHS	Parts No.	Parts Name	Symbol in Wiring Diagram	Q'ty/unit		Remakes
					MXZ-		
					2B20NA	2B20NA - <input type="checkbox"/>	
1	G	E12 D36 232	CABINET		1	1	
2	G	E12 817 009	HANDLE		1	1	
3	G	E12 939 521	GRILLE		1	1	
4	G	E12 D36 246	SUB PANEL		1	1	
5	G	E12 C15 900	COMPRESSOR	MC	1	1	SNB130FQBH1
6	G	E12 C34 506	COMPRESSOR RUBBER SET		3	3	3 RUBBERS SET
7	G	E12 851 640	EXPANSION VALVE		1	1	B room
	G	E12 939 493	LEV COIL	LEV B	1		B room
	G	E12 F54 493	LEV COIL	LEV B		1	B room
8	G	E12 851 640	EXPANSION VALVE		1	1	A room
	G	E12 938 493	LEV COIL	LEV A	1		A room
	G	E12 F15 493	LEV COIL	LEV A		1	A room
9	G	E12 939 290	BASE		1	1	
10	G	E12 D36 666	UNION(GAS)		2	2	φ3/8
11	G	E12 D36 667	UNION(LIQUID)		2	2	φ1/4
12	G	E12 939 233	BACK PANEL		1	1	
13	G	E12 D36 245	SERVICE PANEL		1	1	
14	G	E12 D36 662	STOP VALVE (LIQUID) 3/8		1	1	φ3/8
15	G	E12 C88 661	STOP VALVE (GAS) 5/8		1	1	φ5/8
16	G	E12 C88 299	OIL SEPARATOR		1	1	
17	G	E12 A56 961	4-WAY VALVE		1	1	
18	G	E12 819 297	TOP PANEL		1	1	
19	G	E12 939 523	REAR GUARD		1	1	
20	G	E12 B05 630	OUTDOOR HEAT EXCHANGER		1	1	
21	G	E12 939 515	MOTOR SUPPORT		1	1	
22	G	E12 A49 641	SERVICE PORT		2	2	
②③	G	E12 938 937	CAPILLARY TUBE		8	8	O.D.0.14 x I.D.0.09 x 19.68
②④	G	E12 939 936	CAPILLARY TUBE		2	2	O.D.0.16 x I.D.0.11 x 3.93
②⑤	G	E12 938 936	CAPILLARY TUBE		1	1	O.D.0.10 x I.D.0.02 x 39.37
②⑥	G	E12 C18 959	POWER RECEIVER		1	1	
②⑦	G	E12 853 640	EXPANSION VALVE		1	1	E
	G	E12 819 493	LEV COIL	LEV E	1		E
	G	E12 F15 493	LEV COIL	LEV E		1	E

RoHS PARTS LIST (RoHS compliant)

MXZ-2B20NA

1-2. OUTDOOR UNIT FUNCTIONAL PARTS AND ELECTRICAL PARTS



PARTS LIST (RoHS compliant)

MXZ-2B20NA

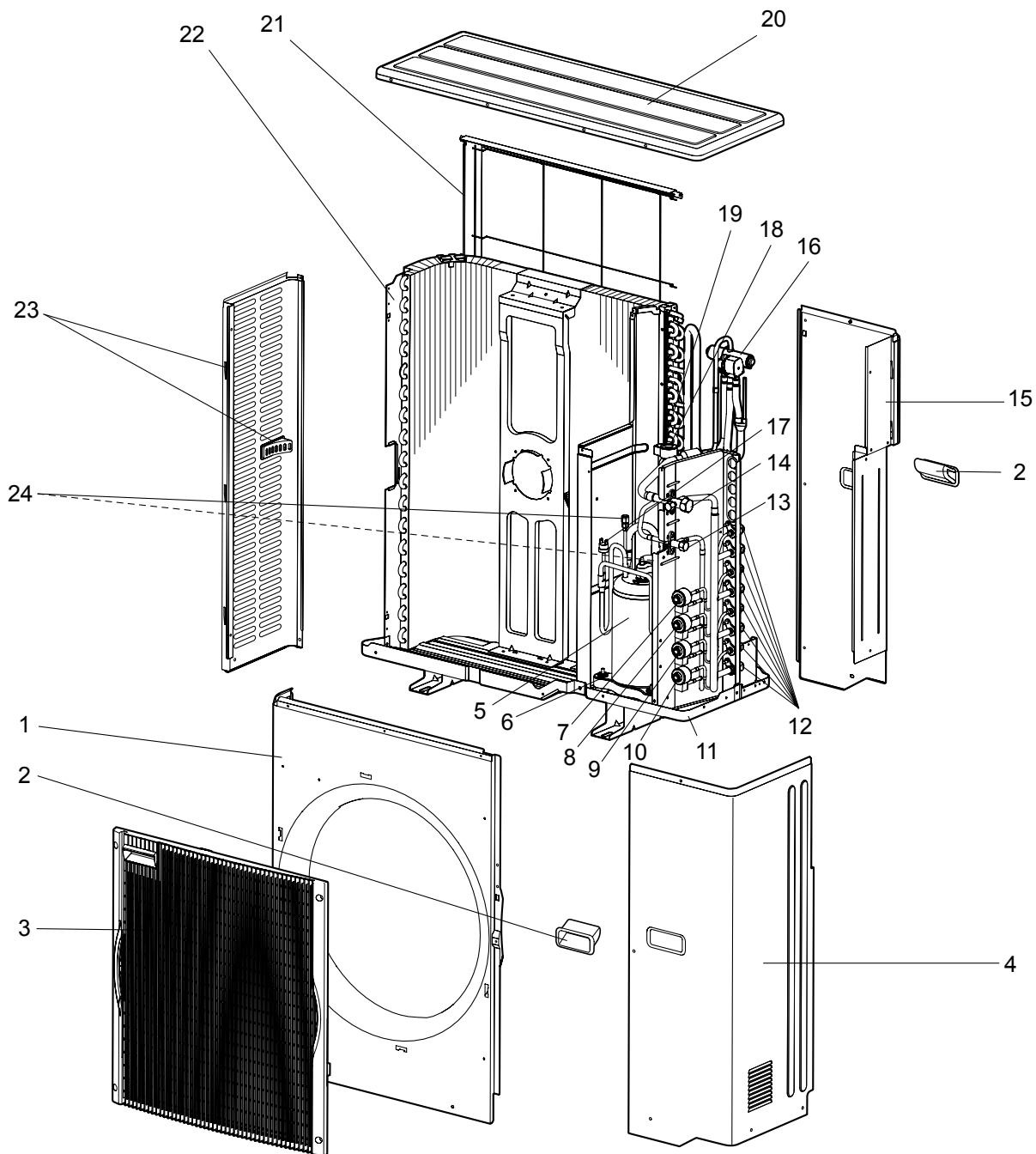
1-2. OUTDOOR UNIT FUNCTIONAL PARTS AND ELECTRICAL PARTS

No.	RoHS	Parts No.	Parts Name	Symbol in Wiring Diagram	Q'ty/unit		Remakes
					MXZ-		
					2B20NA	2B20NA - <input type="checkbox"/>	
1	G	E12 851 501	PROPELLER		1	1	
2	G	E12 A58 301	OUTDOOR FAN MOTOR	MF	1		RC0J60- <input type="checkbox"/>
	G	E12 E34 301	OUTDOOR FAN MOTOR	MF		1	RC0J77- <input type="checkbox"/>
3	G	E12 C15 440	POWER BOARD		1	1	Including heat sink and RT64
4	G	E12 F15 450	ELECTRONIC CONTROL P.C. BOARD		1		
	G	E12 F54 450	ELECTRONIC CONTROL P.C. BOARD			1	
5	G	E12 D38 444	NOISE FILTER P.C. BOARD		1	1	
6	G	E12 C92 375	TERMINAL BLOCK	TB2~3	2	2	Indoor unit connecting
7	G	E12 A53 374	TERMINAL BLOCK	TB1	1	1	Power supply
8	G	E12 B05 490	R.V. COIL	21S4	1	1	
9	G	E12 938 308	THERMISTOR SET	RT61,62,68	1	1	DEFROST, DISCHARGE OUTDOOR HEAT EXCHANGER
10	G	E12 938 309	AMBIENT TEMPERATURE THERMISTOR	RT65	1	1	
11	G	E12 938 337	REACTOR	L	1	1	20 A 600 μ H

RoHS PARTS LIST (RoHS compliant)

MXZ-3B24NA MXZ-3B30NA MXZ-4B36NA

1-3. OUTDOOR UNIT STRUCTURAL PARTS AND FUNCTIONAL PARTS



RoHS PARTS LIST (RoHS compliant)

MXZ-3B24NA MXZ-3B30NA MXZ-4B36NA

1-3. OUTDOOR UNIT STRUCTURAL PARTS AND FUNCTIONAL PARTS

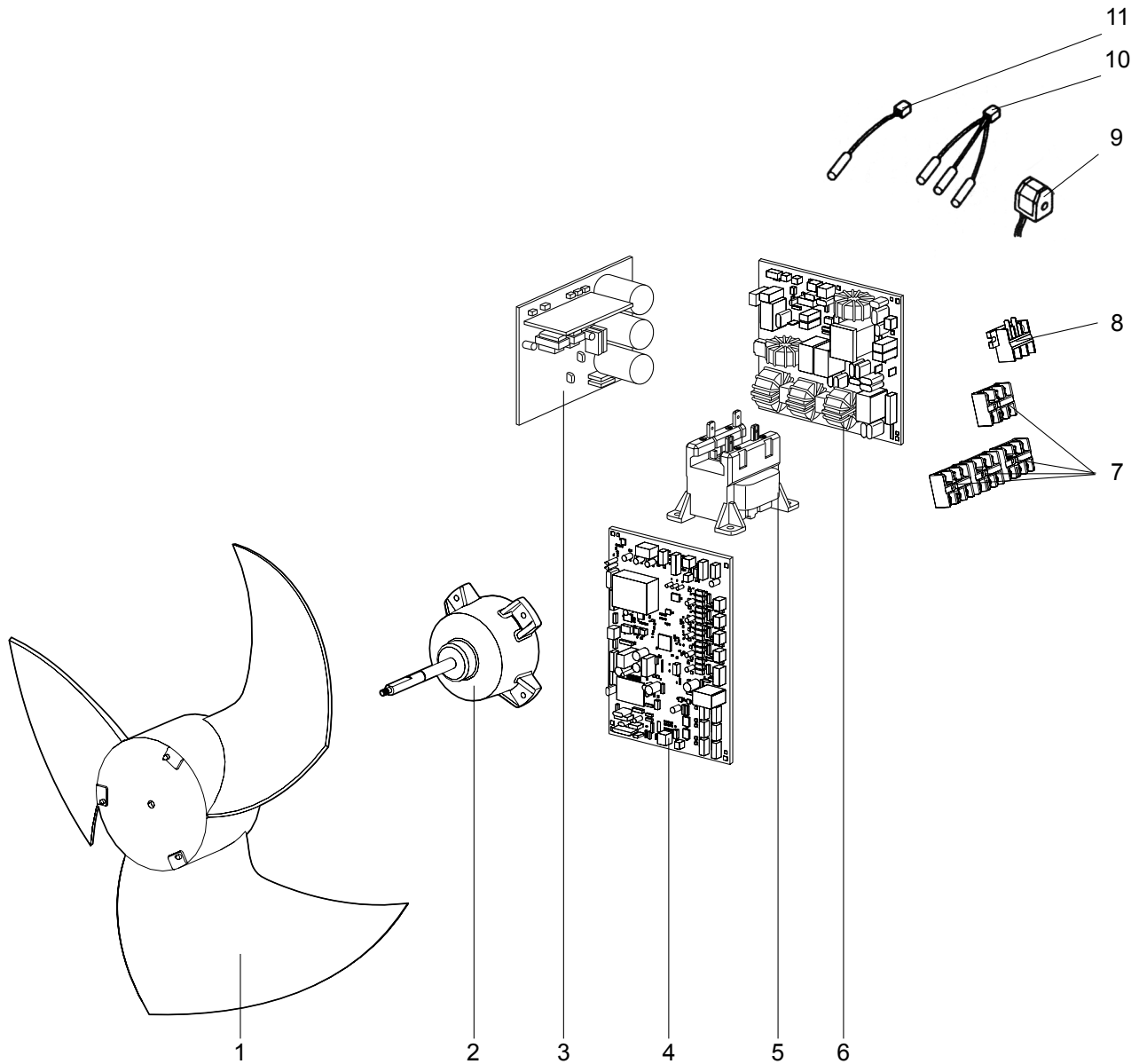
Part numbers that are circled are not shown in the illustration.

No.	RoHS	Parts No.	Parts Name	Symbol in Wiring Diagram	Q'ty/unit						Remakes
					MXZ-						
					3B24NA	3B24NA	3B30NA	3B30NA	4B36NA	4B36NA	
1	G	M21 0A2 232	FRONT PANEL		1	1	1	1	1	1	
2	G	M21 0A2 027	HANDLE ASSEMBLY		2	2	2	2	2	2	
3	G	M21 L2V 010	GRILLE		1	1	1	1	1	1	
4	G	M21 0A2 245	SERVICE PANEL		1	1	1	1	1	1	
5	G	T92 505 801	COMPRESSOR	MC	1	1	1	1	1	1	TNB220FMCH
6	G	M21 L2V 505	COMPRESSOR RUBBER SET		3	3	3	3	3	3	3 RUBBERS SET
7	G	M21 L2V 401	EXPANSION VALVE						1	1	D room
	G	M21 9T4 654	LEV COIL	LEV D					1	1	D room
8	G	M21 L2V 401	EXPANSION VALVE		1	1	1	1	1	1	C room
	G	M21 9T4 653	LEV COIL	LEV C	1	1	1	1	1	1	C room
9	G	M21 L2V 401	EXPANSION VALVE		1	1	1	1	1	1	B room
	G	M21 9T4 652	LEV COIL	LEV B	1	1	1	1	1	1	B room
10	G	M21 L2V 401	EXPANSION VALVE		1	1	1	1	1	1	A room
	G	M21 9T4 651	LEV COIL	LEV A	1	1	1	1	1	1	A room
11	G	M21 0A2 290	BASE ASSEMBLY		1	1	1	1	1	1	
12	G	M21 0A2 644	UNION		1	1	1	1	1	1	φ1/2, φ3/8, φ1/4 SET
13	G	M21 0A2 668	STOP VALVE (LIQUID) 3/8		1	1	1	1	1	1	φ3/8
14	G	M21 0A6 667	STOP VALVE (GAS) 5/8		1	1	1	1	1	1	φ5/8
15	G	M21 0A2 248	REAR PANEL		1	1	1	1	1	1	
16	G	T2W L7V 642	4-WAY VALVE		1	1	1	1	1	1	
17	G	M21 L2V 646	HIGH PRESSURE SWITCH	HPS	1	1	1	1	1	1	4.8 MPa (48.9 kg/cm ²)
18	G	M21 L2V 402	EXPANSION VALVE		1	1	1	1			F
	G	M21 0A2 402	EXPANSION VALVE						1	1	F
19	G	M21 9T6 651	LEV COIL	LEV F	1	1	1	1	1	1	
20	G	M21 L2V 297	TOP PANEL		1	1	1	1	1	1	
21	G	M21 0A2 523	REAR GUARD		1	1	1	1	1	1	
22	G	M21 0A3 630	HEAT EXCHANGER		1	1	1	1			
	G	T2W 0A2 630	HEAT EXCHANGER						1	1	
23	G	M21 L2V 249	SIDE PANEL		1	1	1	1	1	1	Including a handle
24	G	T2W L7V 641	SERVICE PORT		2	2	2	2	2	2	
25	G	M21 EA0 959	POWER RECEIVER		1	1	1	1	1	1	
26	G	M21 0A2 937	CAPILLARY TUBE		2	2	2	2	2	2	O.D.0.12 x I.D.0.08 x 11.8
27	G	M21 0A2 936	CAPILLARY TUBE		3	3	3	3	4	4	O.D.0.16 x I.D.0.11 x 3.94
28	G	M21 L2V 938	CAPILLARY TUBE		1	1	1	1	1	1	O.D.0.10 x I.D.0.02 x 39.37
29	G	T2W L7V 656	OIL SEPARATOR		1	1	1	1	1	1	

RoHS PARTS LIST (RoHS compliant)

MXZ-3B24NA MXZ-3B30NA MXZ-4B36NA

1-4. OUTDOOR UNIT FUNCTIONAL PARTS AND ELECTRICAL PARTS



RoHS PARTS LIST (RoHS compliant)

MXZ-3B24NA MXZ-3B30NA MXZ-4B36NA

1-4. OUTDOOR UNIT FUNCTIONAL PARTS AND ELECTRICAL PARTS

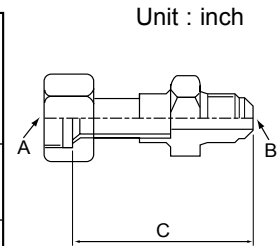
No.	RoHS	Parts No.	Parts Name	Symbol in Wiring Diagram	Q'ty/unit						Remakes
					MXZ-						
					3B24NA	3B24NA	3B30NA	3B30NA	4B36NA	4B36NA	
1	G	M21 L2V 501	PROPELLER		1	1	1	1	1	1	
2	G	T2W 9T9 301	OUTDOOR FAN MOTOR	MF	1		1		1		RC0J77-□□
	G	T2W 4K1 301	OUTDOOR FAN MOTOR	MF		1		1		1	RC0J77-□□
3	G	M21 9T4 440	POWER BOARD		1	1	1	1	1	1	Including heat sink and RT64
4	G	T2W 9T9 451	ELECTRONIC CONTROL P.C. BOARD		1						
	G	T2W 4K3 451	ELECTRONIC CONTROL P.C. BOARD			1					
	G	T2W 9T8 451	ELECTRONIC CONTROL P.C. BOARD				1				
	G	T2W 4K2 451	ELECTRONIC CONTROL P.C. BOARD					1			
	G	T2W 9T7 451	ELECTRONIC CONTROL P.C. BOARD						1		
	G	T2W 4K1 451	ELECTRONIC CONTROL P.C. BOARD							1	
5	G	M21 9T7 337	REACTOR	L	1	1	1	1	1	1	20 A 500 μH
6	G	M21 0A0 424	NOISE FILTER P.C. BOARD		1	1	1	1	1	1	
7	G	T2W 0A2 376	TERMINAL BLOCK	TB2~5	3	3	3	3	4	4	Indoor unit connecting
8	G	T2W L7V 377	TERMINAL BLOCK	TB1	1		1		1		Power supply
	G	T2W 4K1 375	TERMINAL BLOCK	TB1		1		1		1	Power supply
9	G	T2W L7V 398	R.V. COIL	21S4	1	1	1	1	1	1	
10	G	M21 L2V 308	THERMISTOR SET	RT61,62,68	1	1	1	1	1	1	DEFROST DISCHARGE OUTDOOR HEAT EXCHANGER
11	G	M21 0A2 309	AMBIENT TEMPERATURE THERMISTOR	RT65	1	1	1	1	1	1	

2

OPTIONAL PARTS

2-1. DIFFERENT-DIAMETER PIPE

MXZ-2B20NA MXZ-3B24NA MXZ-3B30NA MXZ-4B36NA	Model name	Connected pipes diameter	Diameter A	Diameter B	Length C
For different-diameter pipes	MAC-A454JP	$\phi 3/8 - \phi 1/2$	$\phi 3/8$	$\phi 1/2$	2.72
	MAC-A455JP	$\phi 1/2 - \phi 3/8$	$\phi 1/2$	$\phi 3/8$	2.56
	MAC-A456JP	$\phi 1/2 - \phi 5/8$	$\phi 1/2$	$\phi 5/8$	2.62
	PAC-493PI	$\phi 1/4 - \phi 3/8$	$\phi 1/4$	$\phi 3/8$	2.38
	PAC-SG76RJ-E	$\phi 3/8 - \phi 5/8$	$\phi 3/8$	$\phi 5/8$	4

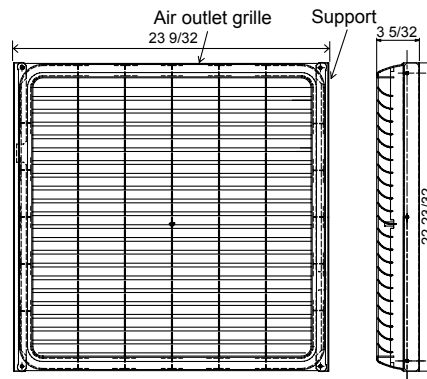
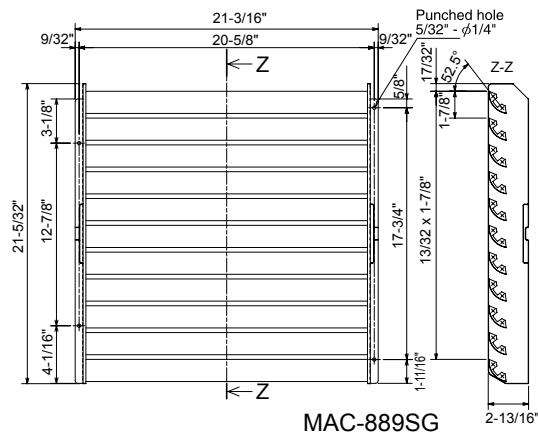


2-2. OUTLET GUIDE

Changes air discharge direction.

Unit : inch

Applied unit	Model name	Model code
MXZ-2B20NA	MAC-889SG	506-889
MXZ-3B24NA MXZ-3B30NA MXZ-4B36NA	MAC-856SG	51H-856





© Copyright 2009 MITSUBISHI ELECTRIC CO.,LTD
Distributed in Jan. 2011. No. OBB560 REVISED EDITION-D
Distributed in Mar. 2010. No. OBB560 REVISED EDITION-C 6
Distributed in Feb. 2010. No. OBB560 REVISED EDITION-B 6
Distributed in Dec. 2009. No. OBB560 REVISED EDITION-A 5
Distributed in Sep. 2009. No. OBB560 5
Made in Japan

New publication, effective Jan. 2011
Specifications subject to change without notice.