

## Specifications

PFMB2424

# Mop Basin



### Product Features

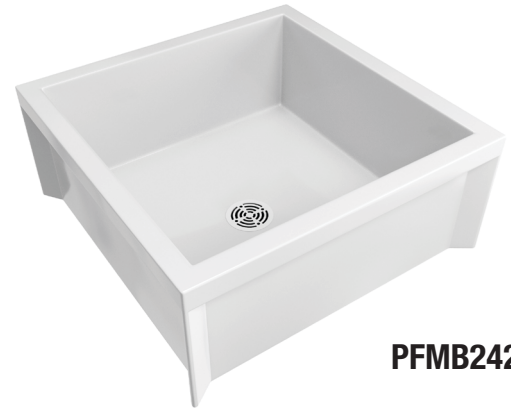
- Molded, high-density composite basin
- Integral drain is molded into basin
- Gasket and stainless steel strainer included with the basin
- Designed to connect to 3" PVC drain pipe
- 10" Deep

### Model Numbers

PFMB2424 24" x 24" Mop service basin with integral molded drain

### Available Parts

PFMBSSDRN	3" Strainer and gasket for PFMB2424
PFBG24S	24" Stainless steel bumper guard
PFBG24V	24" Vinyl bumper guard
PFWG24S	24" Stainless steel wall guard set (Wall guard height: 12")
PF245	Mop hanger
PFSSHE	Service hose
PF296	Service hose bracket
PFMB32	QIC32. 3" x 2" pipe reducer gasket – for use with PFMB2424
PFMB3SN	QIC3SN. Gasket for 3" soil pipe – for use with PFMB2424



PFMB2424

### Warranty and Codes

These products come complete with installation, operating, care and maintenance instructions. All PROFLO basins carry a 1-year limited warranty. These products meet or exceed ANSI Z124.2. In an effort to continually improve our products, we will make design changes from time to time. We reserve the right to ship newly designed product to fill any order unless we agree in writing to do otherwise.



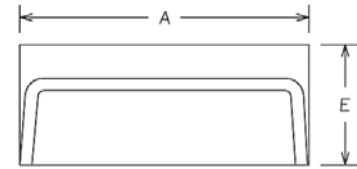
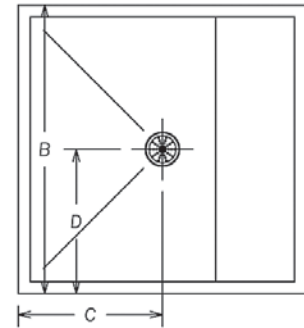
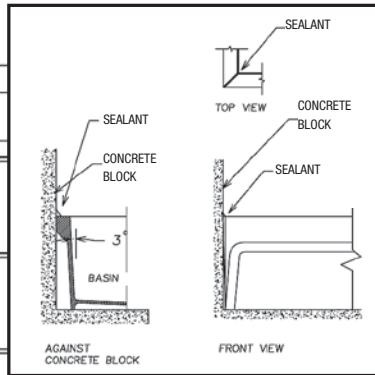
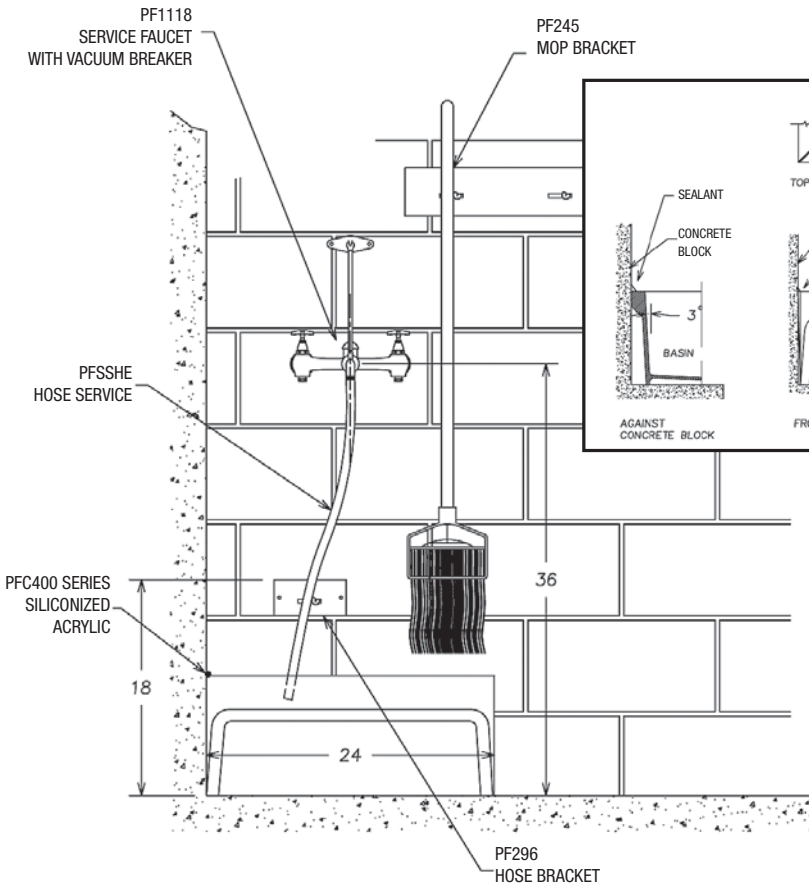
# Specifications

PFMB2424

# Mop Basin

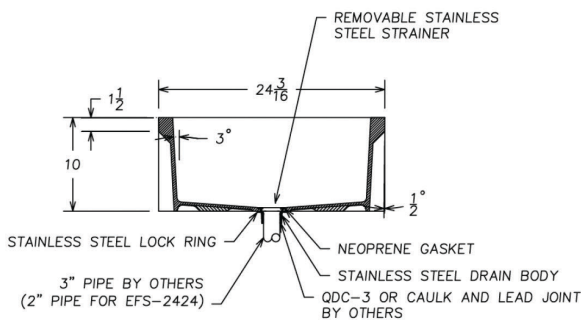


## Suggested Installation

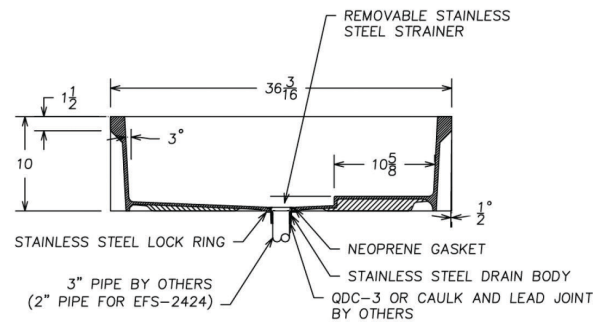


MODEL NO.	A	B	C	D	E
<b>PFMB2424S</b>	24-3/16"	24-3/16"	12"	12"	10"
<b>PFMB3624S</b>	36-3/16"	24-3/16"	18"	12"	10"

## Rough-In Details Front View



**PFMB2424S**



**PFMB3624S**

