

For Residential and Commercial Applications

Job Name		Engineer / Architect	
Job Location		Wholesaler	
Submittal Date		Contractor	

TWV30X/TWV3SX Tankless Water Heater Hot/Cold Service Valves

Use: For use in potable water distribution systems for water flow control. Valves connect directly to cold water inlet and hot water outlet of the tankless water heater. Use for appliance maintenance and emergency shut-off.

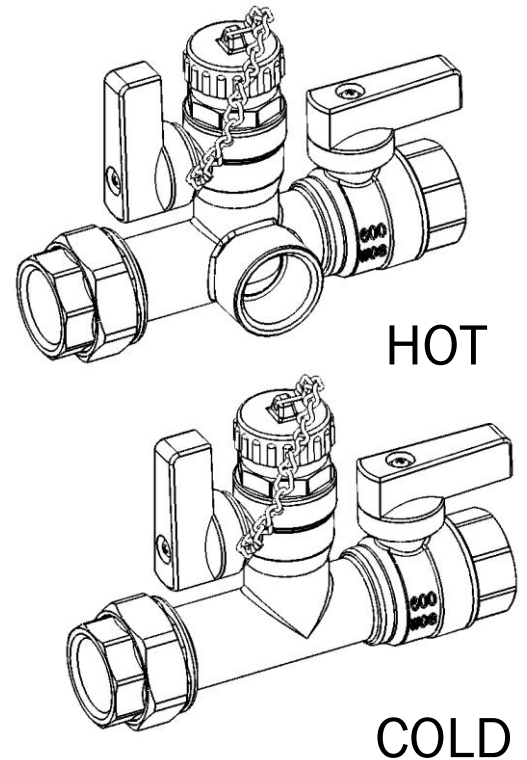
Design Features:

- **Compact design** ideal for recessed and cover box installations
- **Captive coupling nut & washer** reduces opportunity for component loss making installation easier
- **Captive washer** won't kink or tear during installation
- **Forged, one-piece construction** reduces the potential for pinhole leaks
- **Integrated drain valve** with independent, ¼ turn operation allows quick system diagnostic testing and maintenance
- **Built-in side port** for the pressure relief valve reduces the number of connections & simplifies the installation
- **Right-sized handles, color-coded** for immediate system identification. Perfect for tight installations



Operating Specifications:

Temperature: 40° - 180° F
Pressure: 125 PSI maximum



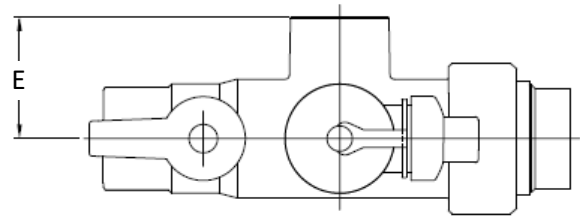
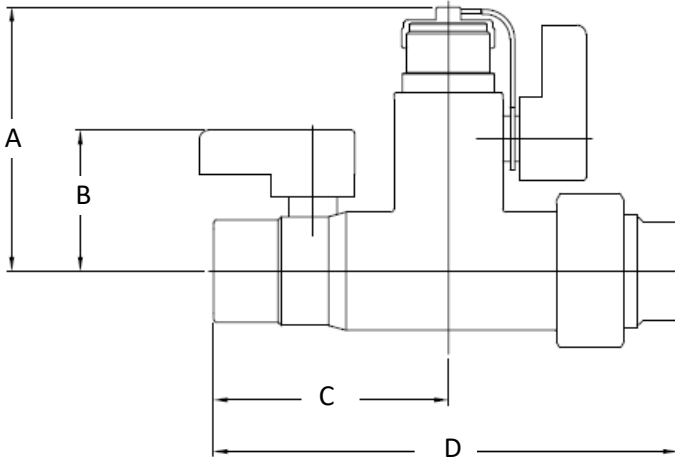
VALVE MATERIAL SPECIFICATIONS	
Body	Forged brass
Stem	Brass
Handle	Aluminum, coated
Handle Screw	Steel, zinc plated
Flat Seal	Rubber
Coupling Nut	Forged brass
Drain Cap	Forged brass
Cap Gasket	Rubber
Seat	PTFE
Ball	Brass, chrome plated

This specification and all information contained herein is the confidential and exclusive property of Brasscraft Manufacturing Company and shall not be disclosed to others without the written consent of Brasscraft Mfg. Co. This specification must be returned to Brasscraft Mfg. Co. if requested.

TWV30 /TWV3S Tankless Water Heater Hot/Cold Service Valves

Part Listing:

- TWV30X 3/4" IPS x 3/4" IPS Hot/Cold Service Valves Only
- TWV30RX 3/4" IPS x 3/4" IPS Hot/Cold Service Valve Kit w/ 200K Pressure Relief Valve
- TWV3SX 3/4" Sweat x 3/4" IPS Hot/Cold Service Valves Only
- TWV3SRX 3/4" Sweat x 3/4" IPS Hot/Cold Service Valve Kit w/ 200K Pressure Relief Valve



PART SPECIFICATIONS (Inches)					
Model	DIM. A	DIM. B	DIM. C	DIM. D	DIM. E*
TWV30X / TWV30RX	3.03	1.76	2.60	5.61	1.09
TWV3SX / TWV3SRX	3.03	1.76	2.60	5.61	1.09

*Dimension for hot valve with pressure relief valve port

Listings and Certifications:

- IAPMO listed to IAPMO/ANSI Z1157 including NSF/ANSI 14



This specification and all information contained herein is the confidential and exclusive property of Brasscraft Manufacturing Company and shall not be disclosed to others without the written consent of Brasscraft Mfg. Co. This specification must be returned to Brasscraft Mfg. Co. if requested.

300.40_TWV30 Redesign_Tnklss Wtr Htr Svc Vlv_IPS x IPS_REV 7.19

BrassCraft®

©2019 Brasscraft Manufacturing Company