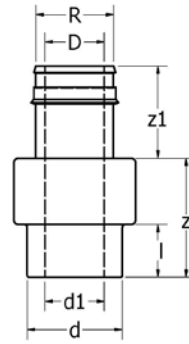


PRODUCT RANGE - PP-R TO METAL

aquatherm green pipe® PEX ADAPTER (COMPRESSION)

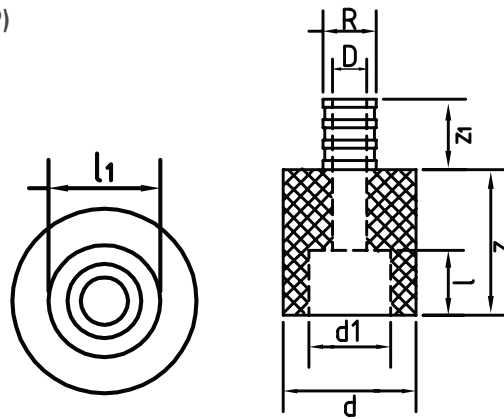
Built to ASTM F1960 standard with PP-R street connection.



Part no.	Dimension (ND — OD)	d	R	l	z	D	z1	d1	Weight
		[in]	[in]	[in]	[in]	[in]	[in]	[in]	[lb]
0098840	½" (20 mm) PP-R to ½" PEX	0.79	0.57	0.42	1.15	0.39	0.73	0.52	0.09
0098841	¾" (25 mm) PP-R to ¾" PEX	0.98	0.79	0.49	1.2	0.59	0.96	0.65	0.13
0098842	1" (32 mm) PP-R to 1" PEX	1.26	1.03	0.69	1.56	0.79	1.2	0.83	0.21

aquatherm green pipe® PEX ADAPTER (CRIMP)

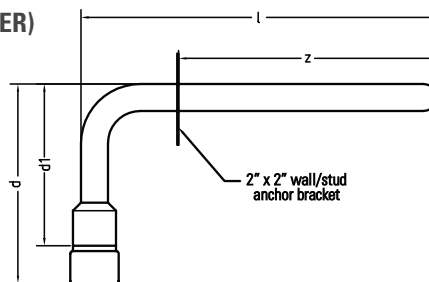
Built to ASTM F1807 standard with PP-R socket connection.



Part no.	Dimension (ND — OD)	d	R	l	z	D	l1	z1	d1	Weight
		[in]	[in]	[in]	[in]	[in]	[in]	[in]	[in]	[lb]
0098840	½" (20 mm) PP-R to ½" PEX	1.125	0.5	0.625	1.25	0.25	0.75	0.625	0.75	0.09
0098841	¾" (25 mm) PP-R to ¾" PEX	1.375	0.625	0.625	1.375	0.5	1.00	0.625	0.875	0.13
0098842	1" (32 mm) PP-R to 1" PEX	1.75	0.875	0.875	1.625	0.625	1.25	0.75	1.25	0.21

aquatherm green pipe® STUB OUT (PP-R TO COPPER)

These fittings are combination of a custom Aquatherm PP-R socket with a gasket and copper stub added by Sioux Chief Manufacturing. The fused PP-R portion is covered under Aquatherm's warranty. The copper portion and gasket are covered under a warranty from Sioux Chief.



Part no.	Dimension (ND — OD)	d	d1	l	z	Weight
		[in]	[in]	[in]	[in]	[lb]
AQ630P248E	½" — 20 mm	4.625	3.75	8.25	6	0.30
AQ630P368E	¾" — 25 mm	7.5	6.625	8.5	6	0.55
AQ630P41110	1" — 32 mm	12.25	11.25	10.5	7.5	1.10