

Features

- Double equal bowls.
- Squared bowls.
- Includes divider dish cloth bar, divider utility shelf, and bottom bowl rack.
- 32" (813 mm) x 18-1/4" (464 mm)

Material

- 16-gauge stainless steel.

Technology

- Includes SilentShield® sound-absorption system.

Installation

- Under-mount
- Includes installation hardware.

Optional Accessories

K-6429 Utility Rack
K-6667 Wood Cutting Board
K-8801 Sink Strainer

Components

Additional included component/s: Hardware kit (3 required), Cut-out template, Divider dish cloth bar, Divider utility shelf, and Bottom bowl rack.

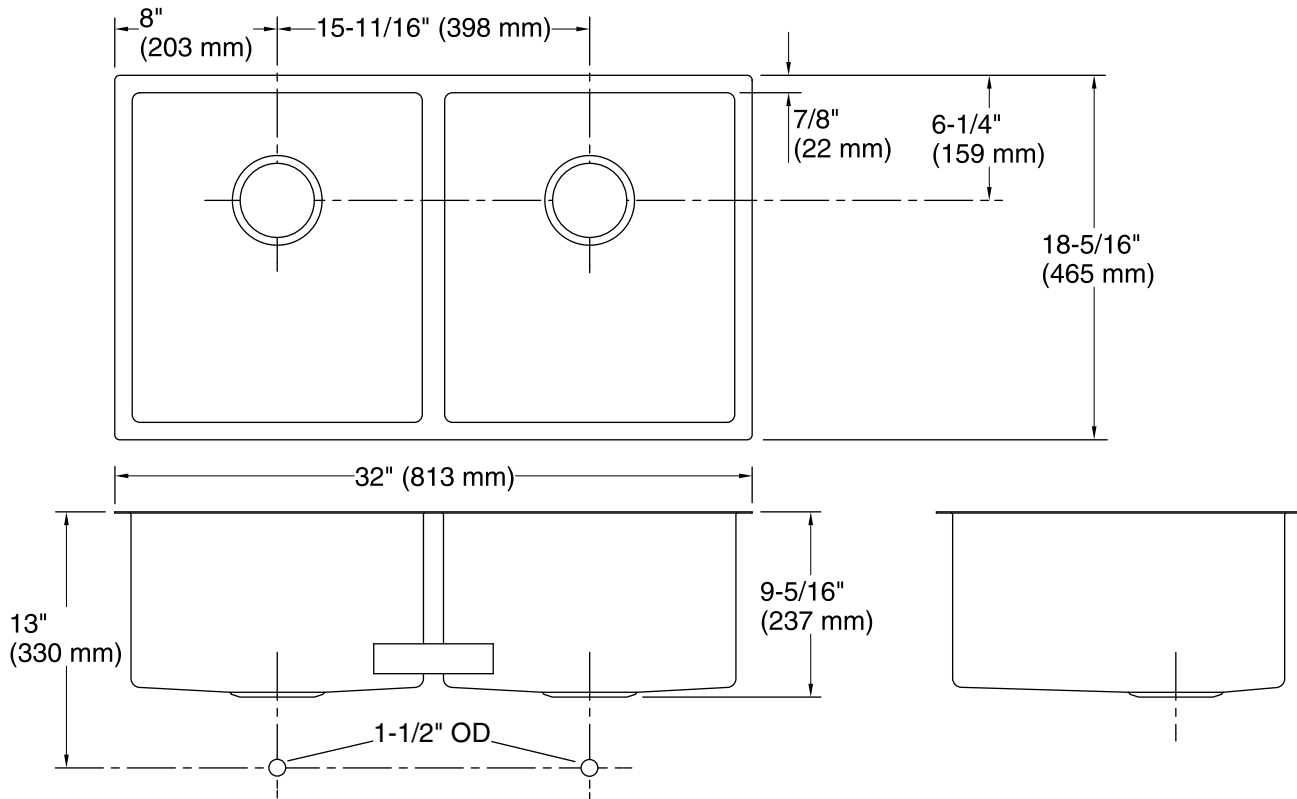


Codes/Standards

ASME A112.19.3/CSA B45.4

Lifetime Limited Warranty for Kohler Stainless Steel Sinks

See website for detailed warranty information.



Technical Information

All product dimensions are nominal.

Bowl configuration: Double equal

Installation: Under-mount

Min. base cabinet width: 36" (914 mm)

Bowl area
Length: 14-9/16" (370 mm)
Width: 16-9/16" (421 mm)
Bowl depth: 9" (229 mm)
Water depth: 9" (229 mm)

Drain hole: 3-3/4" (95 mm)

Template: 1207216-7, required, included

Notes

Install this product according to the installation instructions.