

KSSB-2522 Single Bowl

SWANSTONE KITCHEN SINKS

SWANSTONE CLASSICS

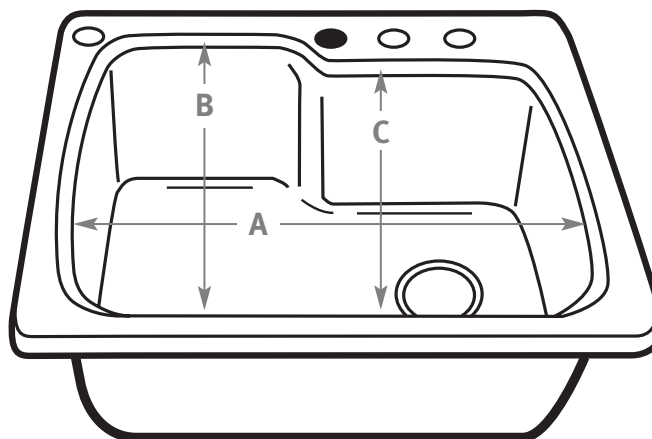
Manufactured from Swanstone solid surface
(see page 2 for detailed information)

Recommended for high use traffic areas and commercial surfaces

WARRANTY
Limited Lifetime – Residential
Limited 10-year – Commercial

FEATURES

- Incorporates specialized convenience features into compact design
- Renewable surface will not wear away
- Hot pots and boiling water will not harm it
- Highest resistance of impact from heavy objects
- Easily accommodates all faucet styles
- Heat, stain and scratch resistance for lasting beauty
- Matching or contrasting countertops available. Contact a Swanstone representative for more information.



KSSB-2522 Bowl Sizes

9" (229 mm) deep single bowl
A 21-1/8", B 17-5/8", C 15-5/8"

○ Drill Points ● Pre-drilled

SPECIFICATIONS

KSSB-2522 Single Bowl ■ SWANSTONE CLASSICS

Model	Part	Dimensions	Ship Wt. Lb.	Ship UPS	Carton Dims. In.	Cu. Ft.
KSSB-2522	KS02522SB	25" W x 22" D (635 mm x 559 mm)	23	UPS	26 x 14 x 29	6.11

ACCESSORIES

- CB-22 Wood or White/Bone Polyethylene Cutting Board
- WB-DB & WB-22 Wire Basket

See page 18 for complete listing of all kitchen sink accessories.

STANDARDS AND RATINGS

Class 1A fire rating

American National Standard Institute—ANSI Z124.3 and Z124.6

International Association of Plumbing and Mechanical Officials (IAPMO)—listed

Canadian Standard Association (CSA)—listed

National Sanitation Foundation-NSF Splash Zone, -NSF Food Zone

American Society for Testing and Materials

National Electrical Manufacturers Association

For a complete list of tests and results see the Technical Data Sheet – page 136.

SUPPORT DOCUMENTS

Installation instructions available on line at www.swanstone.com

COLORS (See pg. 145 for color sample.)

- White (010)
- Bone (037)
- Bisque (018)
- Shell Rose (031)
- Almond Galaxy (046)
- Arctic Granite (035)
- Barley (091)
- Bermuda Sand (040)
- Country Blue Granite (044)
- Gray Granite (042)
- Green Pasture (095)
- Mocha Galaxy (045)
- Rose Granite (043)
- Sierra (094)
- Tahiti Blue (056)
- Tahiti Desert (050)
- Tahiti Evergreen (057)
- Tahiti Gray (053)
- Tahiti Ivory (059)
- Tahiti Matrix (058)
- Tahiti Rose (052)
- Tahiti Sand (051)
- Tahiti Terra (055)
- Tahiti White (011)
- Cornflower (063)
- Ironweed (061)
- Night Sky (012)
- Prairie Clover (023)
- Purple Sage (064)
- Sawgrass (062)
- Wild Indigo (022)
- Winter Wheat (060)
- Indian Grass (071)
- Black Galaxy (015)
- Pebble (072)
- Shell (073)
- Seafoam (074)
- Wild Oat (096)

MAINTENANCE AND CLEANING INFORMATION

Clean your Swanstone kitchen sink with powdered abrasive cleaners. Use of a Scotch-Brite pad is recommended to remove stubborn stains. Occasional use of a mild bleach and water solution ensures that the original luster is maintained.