

**FFBF285SS**

75.25" x 27.63" x 23.5" (H x W x D)

ENERGY STAR qualified counter depth bottom freezer refrigerator with large capacity, deluxe interior, and stainless steel doors

**Highlights:**

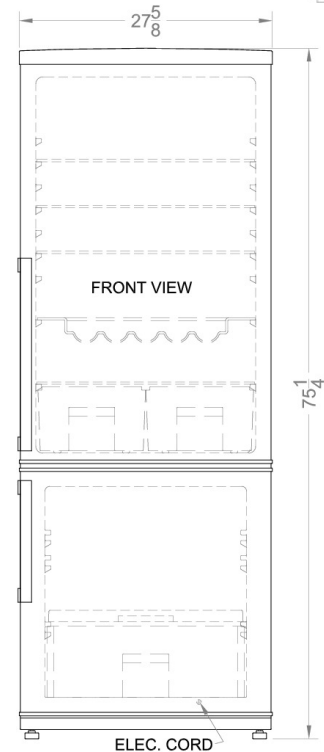
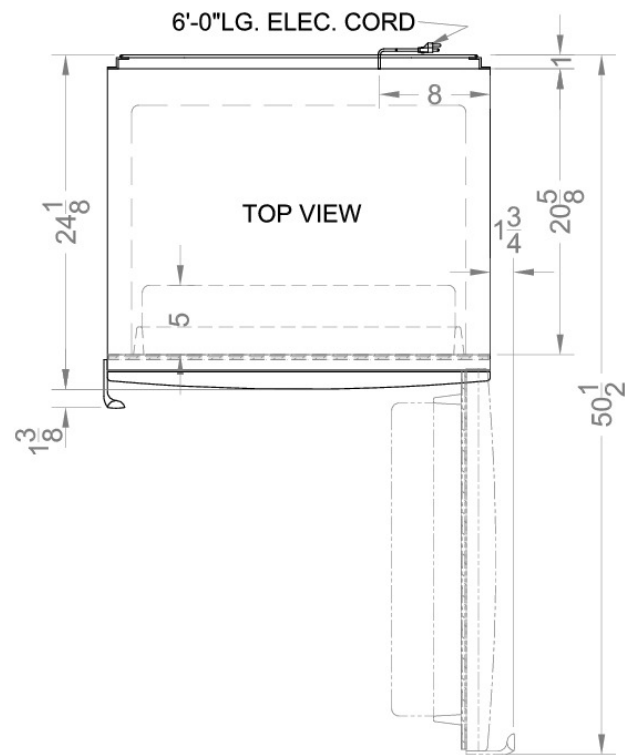
- Bottom freezer adds energy efficient convenience to any home
- Deluxe interior features dual crispers, glass shelves, and scalloped steel wine rack
- Gliding freezer drawers keep the cold inside for less waste and more storage options
- Stainless steel door and platinum cabinet add luxurious style



ENERGY STAR qualified	Rated by the DOE to perform with more efficiency than federal standards require, saving your unit energy and you on higher utility costs
Bottom freezer	Thoughtfully designed unit saves energy waste by putting the freezer under the refrigerator to keep commonly used contents at eye level
Combination frost-free/auto defrost design	Frost-free freezer and auto defrost refrigerator section for maximum energy savings
Adjustable glass shelves	Rearrange your refrigerator space to accommodate all shapes and sizes or remove shelves for a simple clean-up
Removable transparent freezer drawers	Unique freezer design keeps the cold inside, even when the door is opened
Door storage	Keep large bottles and condiments right on the door for easy access
Wine shelf	Store bottles safely on an adjustable scalloped steel rack
Two clear crispers	Get the longest life and best taste out of produce by storing greens in convenient slide drawers
Reversible stainless steel doors	Keep your options flexible with reversible doors that are easy to switch when your arrangement changes
Platinum cabinet	An elegant look for any modern kitchen

## Specifications:

Height	75.25"
Width	27.63"
Depth	23.5"
Capacity	13.81 cu.ft.
Ext Depth with Handle	25.5"
Interior Height 1	41.0"
Interior Width 1	24.5"
Interior Depth 1	18.0"
Interior Height 2	23.0"
Interior Width 2	22.0"
Interior Depth 2	13.5"
Shipping Weight	200.0 lbs.
Amps	1.53
Voltage/Frequency	115 V AC/60 Hz
US Electrical Safety	UL
Energy Usage/Year	440.0 kWh/year
Reversible	Yes
Door Swing	RHD
Crisper Quantity	2
Shelf Quantity	3
Adjustable Shelf	true
Shelf Type	Glass
Crisper Cover Type	Glass
Crisper Finish	Transparent
Full Door Shelf Quantity	4
Wine Bottle Holder	true
Drawers	true
Drawer Quantity	3
Wheel Quantity	2
Defrost Type	Frost-Free/Automatic
Depth with door at 90°	50.5"
Fan Type	Interior
Light	true
Thermostat Type	Dial
Low Side PSI	72.0
Level Legs Quantity	2
Freon Type	R134a
High Side PSI	351.0
Freon Oz	5.47
Compressor Warranty	5 Years
Parts/Labor Warranty	1 Year



Summit Appliance Division, Felix Storch, Inc.  
 770 Garrison Ave • Bronx, NY 10474  
 Phone: 718-893-3900 • Fax: 718-842-3093  
 Email: [info@summitappliance.com](mailto:info@summitappliance.com)