

SYMMONS® Lig-Res™

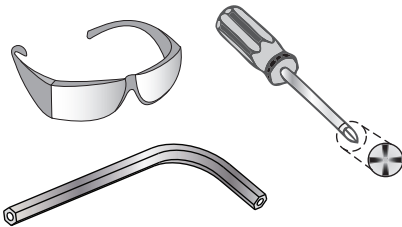
Diverter Valve Trim 57-458-TRM Ligature resistant Installation Brief



Model Number

57-458-TRM . Diverter Valve Trim
(diverter valve not included)

Tools & Materials



5/32" hex wrench included

Disclaimers

- Product is designed to reduce likelihood that unit can be used as a device for hanging.
- Product is not a substitute for the evaluation, treatment or appropriate supervision of persons at risk of suicide.

☎ Need Help?

Symmons customer service:
(800) 796-6667, (781) 848-2250
customerservice@symmons.com
Mon - Fri 7:30 am - 7:00 pm EST

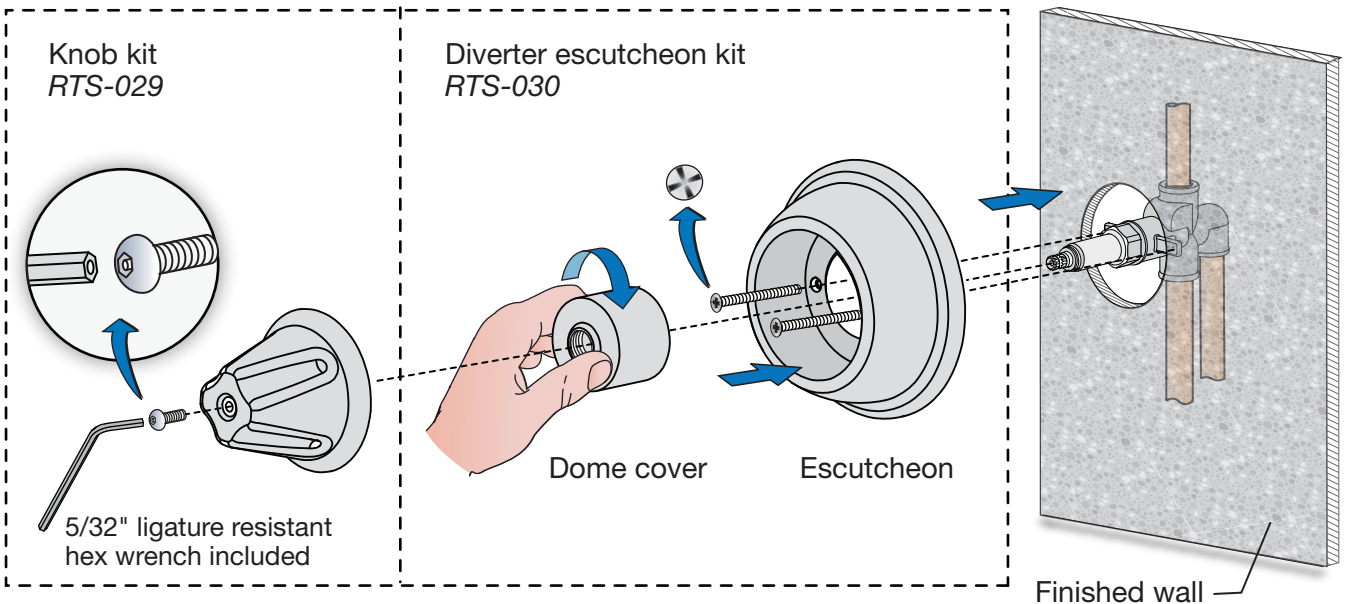
🌐 www.symmons.com/service

- Technical help
- Product information
- Warranty policy

Care and cleaning

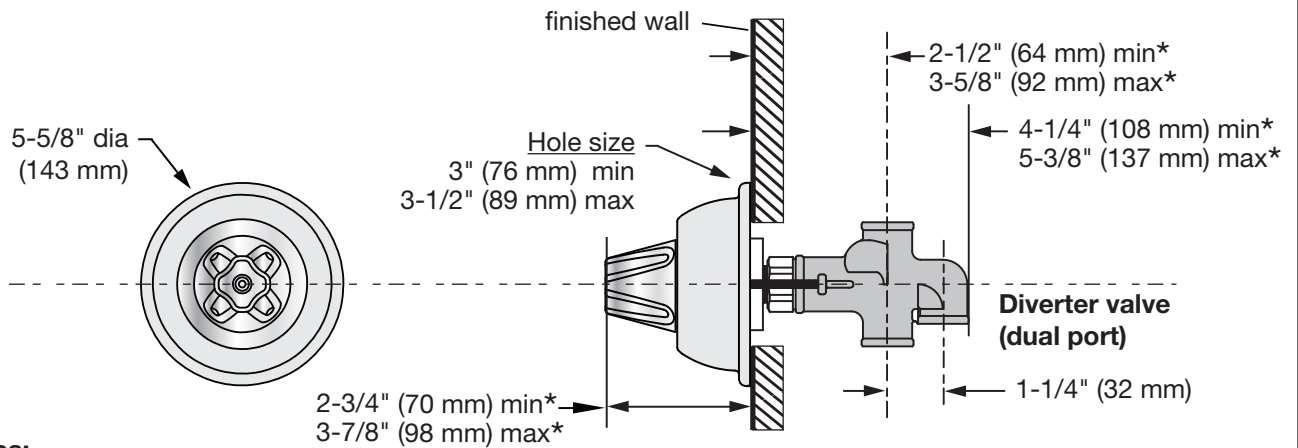
Clean finished area using mild soap or a non-abrasive cleaner and then quickly rinse with water. A non-abrasive wax may be used to preserve finish area.

Visual Installation Guide Lig-Res Diverter Valve Trim, 57-458-TRM



Note: Valve, piping, and fittings are not included. Actual plumbing should be determined and installed by a licensed plumber.

Dimensions Lig-Res Diverter Valve Trim, 57-458-TRM



Notes:

(1) Dimensions identified with an asterisk (*) apply when diverter valve is installed without primary mixing control valve.

When diverter valve is coupled with a primary mixing control valve, then dimension is determined by rough-in drawing provided with mixing control valve.

(2) Dimensions subject to change without notice