

Manufactured Home Direct Vent Residential Gas Water Heater

Features

- **Bradford White ICON System®**—Intelligent gas control with no need for external electricity. Proprietary algorithms provide tighter temperature differential and consistent water temperature levels up to 160°F (70°C). LED light indicates pilot function or operation status/service required.
- **Vitraglas® Lining with Microban®**—An exclusively engineered enamel formula that provides superior tank protection from the corrosive effects of water; and with Microban® antimicrobial product protection to help prevent the growth of bacteria, mold and mildew on the surface of the tank lining.

Additional Details

- **Built in field convertibility between Propane or Natural Gas**—No additional purchase required.
- **Insulation System**—Non-CFC foam covers the tank, reducing heat loss, energy consumption, and improves efficiency and jacket rigidity.
- **Water Connections**—3/4" (19mm) NPT factory-installed true dielectric fittings extend water heater life and simplify water line connections.
- **Heat Traps**—Installed on hot water outlet to minimize heat loss through piping.
- **Protective Anode Rod**—Provides added protection against corrosion for long-term, trouble-free service.
- **T&P Relief Valve**—Installed.
- **Low Restrictive Brass Drain Valve**—Durable tamper proof design.
- **Sealed Combustion Roof Jack Kit**—Ordered separately and includes an adjustable through the floor air intake tube, roof jack and hardware. Must specify roof jack size when ordering. Available in 12" (305mm), 18"/32" (457/813mm), 32"/60" (813/1524mm), or 48"/95" (1219/2413mm) lengths.
Must order roof jack kit for new installations.
- **Housing and Urban Development**—These water heaters are designed in accordance with H.U.D. and are approved for installation in a manufactured home (mobile home) only and must be installed in an enclosure that will completely separate the water heater combustion and venting system from the dwelling interior.



Photo is of RG2DVMH30T6X

BRADFORD WHITE
ICON
System

VITRAGLAS
EXTRA PROTECTION SINCE 1988

+
MICROBAN



6 or 10-Year Limited Tank Warranties / 6-Year Limited Warranty on Component Parts.

For more information on warranty, please visit www.bradfordwhite.com

For products installed in USA, Canada, and Puerto Rico. See complete copy of the warranty included with the heater for limitations.

Microban® antimicrobial product protection helps prevent the growth of bacteria, mold and mildew that may affect the product. The built-in antimicrobial properties do not protect users or others from disease-causing organisms. Microban® is a registered trademark of Microban Products Company.

Manufactured Home Direct Vent Residential Gas Water Heater

SPECIFICATIONS

Natural Gas and Liquid Propane Gas

These water heaters meet or exceed all or portions of (where applicable) the minimum efficiency requirements of ASHRAE Standard 90.1 (latest edition), C.E.C. Listed, 76% Recovery Efficiency.

Model Number	Nominal Gal. Capacity		DOE Rated Storage Volume (Gal.)	BTU/Hr. Input	LP BTU/Hr. Input	First Hour Rating (Gal.)	Uniform Energy Factor	Recovery at 90°F Rise*				Model Number	Nominal Liter Capacity	DOE Rated Storage Volume (Liters)	kW Input	LP kW Input	First Hour Rating (Liters)	Uniform Energy Factor	Recovery at 50°C Rise*	
	U.S. Gal.	Imp. Gal.						U.S. GPH	Imp. GPH	U.S. GPH	Imp. GPH								U.S. Gal.	Imp. Gal.
RG2DVMH30T6X	30	27	29	30,000	30,000	56	0.60	32	27	32	27	RG2DVMH30T6X	114	110	8.8	8.8	212	0.60	121	121
RG2DVMH40T6X	40	33	38	30,000	30,000	51	0.58	32	27	32	27	RG2DVMH40T6X	151	144	8.8	8.8	193	0.58	121	121

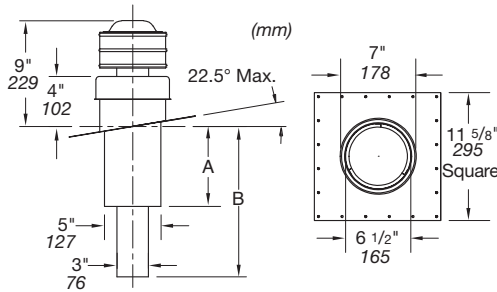
Model Number	B Jacket Dia.	C Vent Size	D Floor to T&P Conn. in.	E Floor to Gas Conn. in.	F Floor to Top of Heater in.	G Floor to Cold Water Conn. in.	H Depth	J Floor to Hot Water Conn. in.	M Water Conn. NPT in.	S Gas Conn. Size in.	Approx. Shipping Weight lbs.
	RG2DVMH30T6X	18	3	50 ⁹ / ₁₆	13 ³ / ₈	57	22 ⁷ / ₁₆	21 ⁵ / ₈	57 ¹¹ / ₁₆	³ / ₄	¹ / ₂
RG2DVMH40T6X	20	3	50 ⁹ / ₁₆	13 ³ / ₈	57 ¹ / ₈	22 ⁷ / ₁₆	23 ⁵ / ₈	58 ¹⁵ / ₁₆	³ / ₄	¹ / ₂	139

Model Number	B Jacket Dia.	C Vent Size	D Floor to T&P Conn. mm.	E Floor to Gas Conn. mm.	F Floor to Top of Heater mm.	G Floor to Cold Water Conn. mm.	H Depth	J Floor to Hot Water Conn. mm.	M Water Conn. NPT mm.	S Gas Conn. Size mm.	Approx. Shipping Weight kg.
	RG2DVMH30T6X	457	76	1278	340	1448	570	549	1465	19	13
RG2DVMH40T6X	508	76	1278	340	1451	570	600	1497	19	13	63

To order Natural Gas heaters change "X" to "N". For 10 year models, change suffix from "6" to "10".

* Based on manufacturer's rated recovery efficiency.

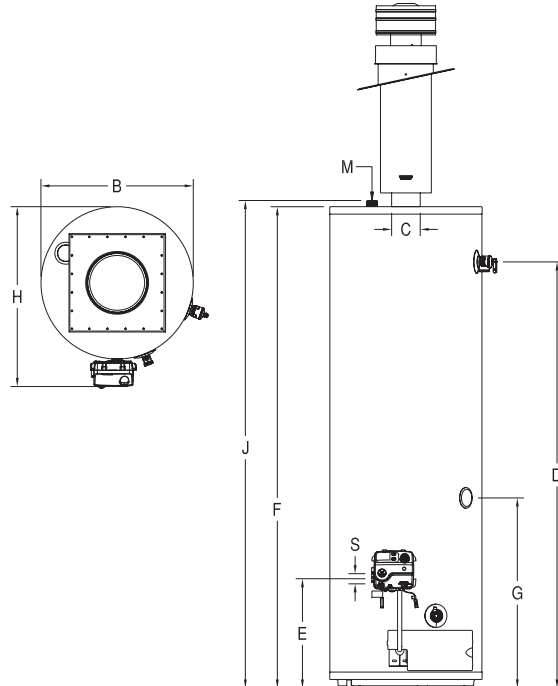
Uniform Energy Factor and First Hour Rating is based on the latest AHRI directory listings.



Optional Roof Jack Kits

Part Number	A	B	Through The Roof Clearance
415-37022-01	15"	16"-33"	12"
415-37022-02	33 ¹ / ₂ "	33 ¹ / ₂ "-66"	18" / 32"
415-37022-03	32 ¹ / ₂ "-62 ¹ / ₂ "	37 ¹ / ₂ "-74"	32" / 60"
415-37022-04	50"-98 ¹ / ₂ "	54 ¹ / ₂ "-109 ¹ / ₂ "	48" / 90"

(Includes roof jack, hardware, instructions)



GENERAL:

Meets NAECA Requirements. All gas water heaters are certified at 300 PSI (2068 kPa) test pressure and 150 PSI (1034 kPa) working pressure. All water connections are 3/4" NPT (19mm), all gas connections are 1/2" (13mm). All models design-certified by UL® to UL® 307-B code and peak performance rated. This water heater is designed in accordance with H.U.D and is approved for installation in a manufactured home (mobile home).

Suitable for Water (Potable) Heating and Space Heating. Toxic chemicals, such as those used for boiler treatment, shall NEVER be introduced into this system. This unit may NEVER be connected to any existing heating system or component(s) previously used with a non-potable water heating appliance.

Dimensions and specifications subject to change without notice in accordance with our policy of continuous product improvement.



Sales: 800-523-2931

24/7 Technical Support: 800-334-3393 • Email TechServ@bradfordwhite.com

Products made by Bradford White are manufactured in America using the finest materials and components from around the world. ©2024, Bradford White Corporation, USA. All rights reserved.



1107-1224