

Light-Duty Commercial Power Direct Vent Gas Water Heater



Photo is of
LG2PDV50H603N

FEATURING:



The Power Direct Vent Models Feature:

- **Bradford White ICON System**[®]—Intelligent gas control with spark to pilot ignition system eliminates the constant burning pilot. This results in savings of pilot gas during standby periods (120 VAC).
 - **Enhanced Performance**—Proprietary algorithms provide enhanced First Hour Rating and tighter temperature differential.
 - **Advanced Temperature Control System**—Microprocessor constantly monitors and controls burner operation to maintain consistent and accurate water temperature levels.
 - **Intelligent Diagnostics**—An exclusive green LED light prompts the installer during start-up and provides ten different diagnostic codes to assist in troubleshooting.
 - **Pilot On Indication**—Flashing green LED provides positive indication that pilot is on.
 - **Separate Immersed Thermowell**—High-strength advanced polymer composite thermowell provides isolation between electric temperature sensor and surrounding water. No need to drain the tank when removing gas valve.
- **Closed Combustion Venting System**—Power Direct Vent models are ideal for installations which lack sufficient area for combustion, such as new construction homes or additions which are tightly insulated. These models use a twin pipe system where combustion air is drawn from outside the building in one pipe and combustion products are expelled to the outside in another pipe.
- **Cast Aluminum Air Intake Boot**—A cast molded air intake boot design provides exceptional durability during installation and operation.
- **Horizontal and Vertical Venting**—PVC, ABS, or CPVC. The equivalent feet of intake venting cannot be greater than the equivalent feet of exhaust venting.
- **Optional Concentric Vent Kit Termination**—Termination fitting provides for only one exit opening through a wall or roof. (Subtract 10ft. (3m) for intake pipe and 10ft. (3m) for exhaust pipe when calculating total vent length.)
- **Flammable Vapor Sensor**—Electronic sensor prevents burner operation if flammable vapors are detected. The sensor will also prevent operation if there is ongoing flammable vapors burning inside the combustion chamber.
- **Factory-Installed Hydrojet**[®] **Total Performance System**—Sediment reducing device that also increases first hour rating of hot water while minimizing temperature build-up in tank.
- **Vitraglas**[®] **Lining with Microban**[®]—An exclusively engineered enamel formula that provides superior tank protection from the corrosive effects of water; and with Microban[®] antimicrobial product protection to help prevent the growth of bacteria, mold and mildew on the surface of the tank lining.
- **Insulation System**—2" (51mm) Non-CFC foam insulation covers the sides and top of the tank, reducing heat loss. This results in less energy consumption, improved efficiencies, and jacket rigidity.
- **Water Connections**—3/4" (19mm) NPT factory-installed true dielectric fittings extend water heater life and simplify water line connections.
- **Side Connections**—3/4" (19mm) NPT tappings allow easy connections for space heating applications (Potable water only).
- **Factory-Installed Heat Traps**—Design incorporates a flexible disk that reduces heat loss in piping and eliminates the potential for noise generation.
- **Protective Anode Rod**—Provides added protection against corrosion for long-term, trouble-free service.
- **T&P Relief Valve**—Installed.
- **Low Restrictive Brass Drain Valve**—Durable tamper proof design.
- **NOx Emissions**—Less than 40 ng/J.

3 or 5-Year Limited Tank Warranties / 1-Year Limited Warranty on Component Parts

For more information on warranty, please visit www.bradfordwhite.com

For products installed in USA, Canada, and Puerto Rico. Some states do not allow limitations on warranties. See complete copy of the warranty included with the heater.

Microban[®] antimicrobial product protection helps prevent the growth of bacteria, mold and mildew that may affect the product. The built-in antimicrobial properties do not protect users or others from disease-causing organisms. Microban[®] is a registered trademark of Microban Products Company.

Light-Duty Commercial Power Direct Vent Gas Water Heater

Power Direct Vent Models

NATURAL GAS AND LIQUID PROPANE GAS

Meet or exceed ASHRAE 90.1 (latest edition). C.E.C. Listed
78% Recovery Efficiency

Model Number	Rated Nominal Volume		DOE Rated Storage Volume (Gal.)	BTU/Hr. Input	LP BTU/Hr. Input	First Hour Rating (Gal.)	Uniform Energy Factor	Recovery at 100°F Rise*				Model Number	Rated Nominal Volume	DOE Rated Storage Volume (Liters)	kW Input	LP kW Input	First Hour Rating (Liters)	Uniform Energy Factor	Recovery at 56°C Rise*	
	U.S. Gal.	Imp. Gal.						U.S. GPH	Imp. GPH	LP U.S. GPH	LP Imp. GPH								U.S. Liters/ Hour	LP Liters/ Hour
LG2PDV50H603N	48	40	46	60,000	60,000	103	0.68	58	48	58	48	LG2PDV50H603N	182	174	17.6	17.6	390	0.68	220	220
LG2PDV75H803N	75	62	72	80,000	78,000	134	0.69	77	64	76	63	LG2PDV75H803N	284	273	23.4	22.9	508	0.69	292	288

Model Number	A Floor to Exhaust Conn. in.	B Jacket Dia. in.	C Vent Size in.	D Floor to T&P Conn. in.	E Floor to Gas Conn. in.	F Floor to Top of Heater in.	G Floor to Water Conn. in.	H Depth in.	J C/L of Water Conn. in.	K Floor to Space Heating Inlet in.	L Floor to Space Heating Outlet in.	M Water Conn. NPT in.	N Floor to Air Intake in.	R Space Heating Conn. Size in.	S Gas Conn. Size in.	Approx. Shipping Weight lbs.
LG2PDV50H603N	67 ⁵ / ₁₆	22	3 or 4	52 ¹ / ₄	9 ³ / ₈	59 ³ / ₁₆	68 ⁷ / ₁₆	31 ¹¹ / ₁₆	11	15 ³ / ₄	52 ¹ / ₄	3/4	67	3/4	1/2	205
LG2PDV75H803N	67 ¹¹ / ₁₆	26	3 or 4	51 ⁷ / ₈	9 ³ / ₈	59 ⁹ / ₁₆	61 ¹³ / ₁₆	36 ¹ / ₁₆	11	16 ⁵ / ₈	51 ⁷ / ₈	3/4	70	3/4	1/2	392

Model Number	A Floor to Exhaust Conn. mm.	B Jacket Dia. mm.	C Vent Size mm.	D Floor to T&P Conn. mm.	E Floor to Gas Conn. mm.	F Floor to Top of Heater mm.	G Floor to Water Conn. mm.	H Depth mm.	J C/L of Water Conn. mm.	K Floor to Space Heating Inlet mm.	L Floor to Space Heating Outlet mm.	M Water Conn. NPT mm.	N Floor to Air Intake mm.	R Space Heating Conn. Size mm.	S Gas Conn. Size mm.	Approx. Shipping Weight kg.
LG2PDV50H603N	1710	559	76 or 102	1327	238	1503	1738	805	279	400	1327	19	1702	19	13	93
LG2PDV75H803N	1719	660	76 or 102	1318	238	1513	1570	916	279	422	1318	19	1778	19	13	178

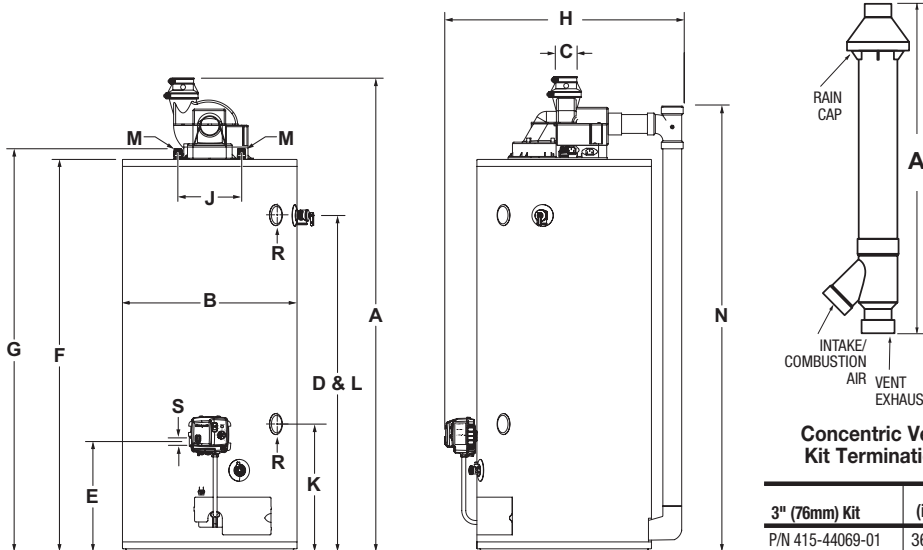
Propane models feature a Titanium Stabilized Stainless Steel propane burner. For Propane (LP) models change suffix "N" to "X".

For 5 year models change suffix from "3" to "5".

* Based on manufacturer's rated recovery efficiency.

110 VAC Required for Power Venting / 110 VAC, 60Hz., 3.1 Amperes.

Uniform Energy Factor and First Hour Rating is based on the latest AHRI directory listings.



LG2PDV50H603N LG2PDV75H803N	3" Vent Pipe	4" Vent Pipe
Max. Intake Length	60 ft.	100 ft.
Max. Exhaust Length	60 ft.	100 ft.
Min. Vent Length	7 ft.	7 ft.
Number of 90°	1 55 ft.	95 ft.
	2 50 ft.	90 ft.
	3 45 ft.	85 ft.

LG2PDV50H603N LG2PDV75H803N	72mm Vent Pipe	102mm Vent Pipe
Max. Intake Length	18.3m	30.5m
Max. Exhaust Length	18.3m	30.5m
Min. Vent Length	2.1m	2.1m
Number of 90°	1 17.0m	29.0m
	2 15.2m	27.4m
	3 18.0m	26.0m

Subtract 5ft. (1.5m) for each additional 90° elbow.

General:

Meets NAECA or EPACT Requirements, as applicable.

All gas water heaters are certified at 300 PSI test pressure (2068 kPa) and 150 PSI working pressure (1034 kPa). All water connections are 3/4" NPT (19mm). All gas connections are 1/2" (13mm). LG2PDV50H603N design-certified by CSA International (formerly AGA/CGA), to meet ANSI standard Z21.10.1 (LG2PDV75H803N = ANSI Z21.10.3) and peak performance rated.

Dimensions and specifications subject to change without notice in accordance with our policy of continuous product improvement.

Suitable for Water (Potable) Heating and Space Heating. Toxic chemicals, such as those used for boiler treatment, shall NEVER be introduced into this system. This unit may NEVER be connected to any existing heating system or component(s) previously used with a non-potable water heating appliance.

— BRADFORD WHITE IS —



Sales: 800-523-2931 ■ Fax 215-641-1612

24/7 Technical Support: 800-334-3393 ■ Email techserv@bradfordwhite.com

Products made by Bradford White are manufactured in the United States using the finest raw materials and components from around the world.

Built to be the Best