



4700 W. 160th St.  
Cleveland, OH 44135  
PH:800-321-9532  
FX:800-321-9535  
www.oatey.com

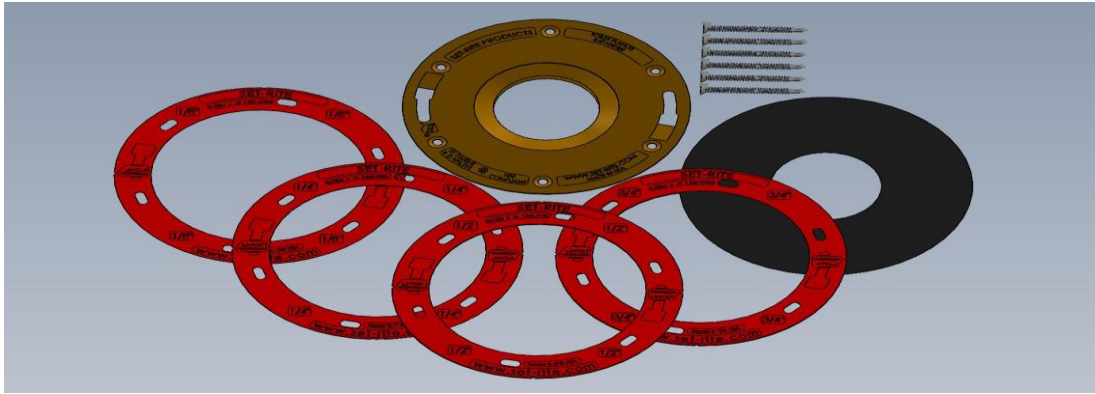
Set-Rite® Toilet Flange Extension Kit(s)



**TECHNICAL SPECIFICATION**

**Engineering Specification:** Oatey Set-Rite® products are designed for correcting elevations from 1/4" up to 1 5/8" on existing PVC, ABS, Metal or Stainless Steel flange rings, as well as Cast Iron Flanges. The Set-Rite® Toilet Flange Extension Kit is the only patented, UPC listed, and trusted solution acceptable for repair and renovation applications to restore the sealing surface of the flange.

**Job Reference**

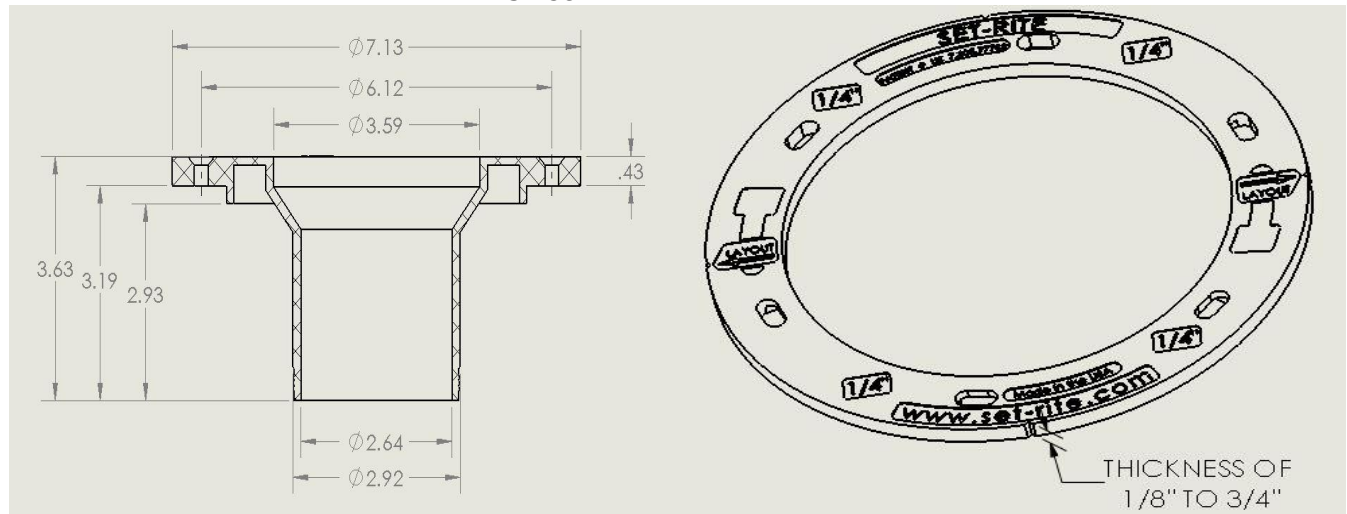


**MATERIALS:**

VIRGIN PPE  
DUROFAOM  
STAINLESS STEEL-410 SERIES

**COMPLIANCE LISTING:**

EXTENDER WITH FOUR SPACERS  
IAPMO LISTING FILE #5253  
MARKINGS: UPC, cUPC  
NSF COMPLIANT



✓	Product No.	Description	PACK	CARTON WEIGHT
	43400	Toilet Flange Extension Kit 1/4" – 1-5/8"	5	1.200 LB
	43401	Toilet Flange Extension Kit 1/4" – 1"	5	0.140 LB
	43402	Toilet Flange Extension Kit 3/4" – 7/8"	5	0.140 LB
	43403	Toilet Flange Extension Kit 1/2" – 5/8"	5	0.840 LB
	43404	Toilet Flange Extension Kit 1/4" – 3/8"	5	0.800 LB
	43405	Toilet Flange Extension Only	6	0.800 LB
	43406	Toilet Flange Spacer Kit 1/8", 1/4", 1/2", 3/4"	5	0.900 LB
	43410	Toilet Flange Spacer 3/4"	18	0.900 LB
	43411	Toilet Flange Spacer 1/2"	18	0.400 LB
	43412	Toilet Flange Spacer 1/4"	36	0.400 LB
	43413	Toilet Flange Spacer 1/8"	72	0.050 LB

Visit [www.oatey.com](http://www.oatey.com) for updates

43400



43406



**DIRECTIONS FOR USE:** 43400 Toilet Flange Extension Kit 1/4" – 1-5/8"

**Step 1:** Place foam gasket on the existing toilet flange surface. Existing flange must be without defects and properly secured to the subfloor.

**Step 2:** Next, determine spacer size, or combination of spacers required to correct the flange height – spacers are offered in 1/8", 1/4", 1/2", and 3/4". Place said spacer(s) directly onto foam gasket.

**Step 4:** Take the yellow flange extender and push down to seal within foam gasket opening. Push down until properly seated on top of red spacer(s).

**Step 5:** Ensure Johni-bolt slots are aligned for proper toilet bowl installation. Use 6 self-tapping stainless steel screws to fasten extender, spacer(s), and gasket to subfloor with use of power drill driver.

**Step 6:** Install Johni-bolts in slots (sold separately) and place standard wax bowl ring (sold separately) onto yellow flange extender, which becomes new sealing surface for toilet bowl installation.

**LISTINGS**



**COMMON APPLICATIONS**

Bathroom renovations often include new flooring, which can create a problem when setting the toilet back on the existing closet flange. It is critical that the sealing surface of an existing flange is above finished floor height to ensure a proper seal. It can be costly to rework existing plumbing to restore the sealing surface, so a flange extension product like Set-Rite® can correct the issue in minutes.