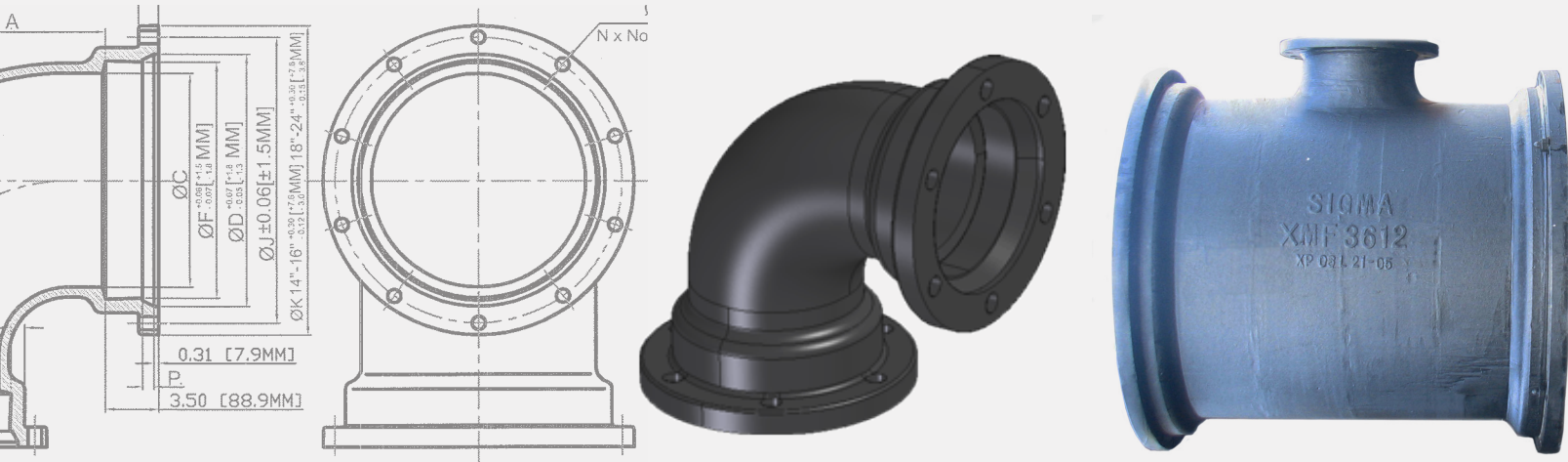


C110 Mechanical Joint Fittings



3”-48” FULL BODY MECHANICAL JOINT FITTINGS

BASIC SPECIFICATIONS

MATERIAL: Ductile Iron ASTM A536

PRESSURE: Ductile Iron 3” - 24” 350 PSI Water Working Pressure (CLASS 350)
Ductile Iron 30” - 54”, 250 PSI Water Working Pressure (CLASS 250)

TESTING: In accordance with ANSI / AWWA C110 / A21.10 & UL - FM requirements

MJ BELL: In accordance with ANSI / AWWA C111 / A21.11

LAYING LENGTH: In accordance with ANSI / AWWA C110 / A21.10

CEMENT LINING: In accordance with ANSI / AWWA C104 / A21.4

COATING: Interior of fitting is seal coated (asphaltic material) in accordance with ANSI/AWWA C104/A21.4 and NSF61 approved

COATING: Exterior of fitting is seal coated (asphaltic material) in accordance with ANSI/AWWA C110/A21.10 and NSF approved

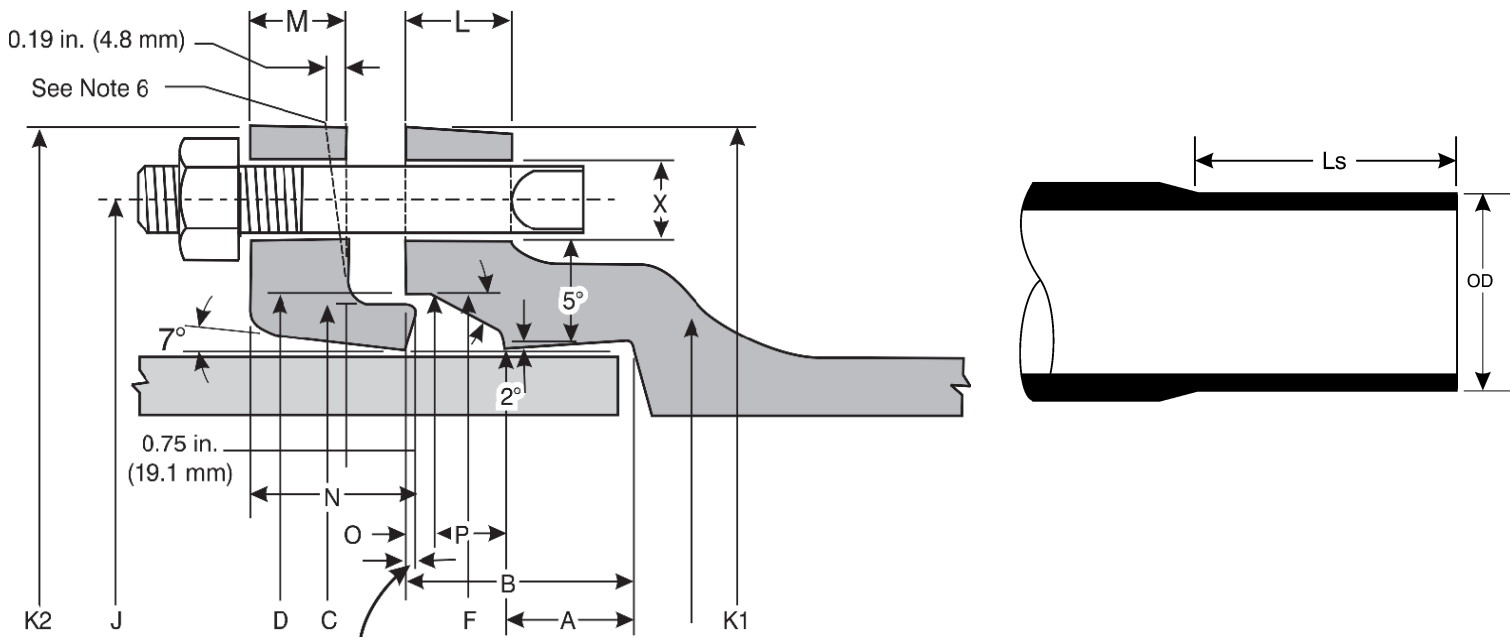
GASKETS: SBR in accordance with ANSI / AWWA C111 / A21.11

T-BOLTS: Low Alloy corrosion resistant high strength steel in accordance with ANSI / AWWA C111 / A21.11

APPROVALS: 3”-16” Underwriters Laboratories listed and Factory Mutual Approved.

STANDARDS: Certified to NSF 61 Standard and ANSI / AWWA C110 / A21.10 for Full Body Ductile Iron Fittings 3”-48”

C110 Mechanical Joint Fittings

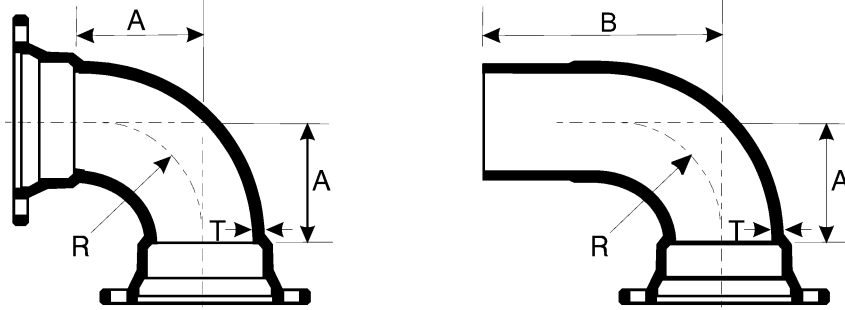


Mechanical Joint Details

Size	A	B	C	D	F	J	K1	K2	L	M	N	O	P	S	X
3	3.96	2.50	4.84	4.94	4.06	6.19	7.69	7.69	0.94	0.62	1.37	0.31	0.63	0.52	3/4
4	4.80	2.50	5.92	6.02	4.90	7.50	9.12	9.12	1.00	0.75	1.50	0.31	0.75	0.65	7/8
6	6.90	2.50	8.02	8.12	7.00	9.50	11.12	11.12	1.06	0.88	1.63	0.31	0.75	0.70	7/8
8	9.05	2.50	10.17	10.27	9.15	11.75	13.37	13.37	1.12	1.00	1.75	0.31	0.75	0.75	7/8
10	11.10	2.50	12.22	12.34	11.20	14.00	15.69	15.62	1.19	1.00	1.75	0.31	0.75	0.80	7/8
12	13.20	2.50	14.32	14.44	13.30	16.25	17.94	17.88	1.25	1.00	1.75	0.31	0.75	0.85	7/8
14	15.30	3.50	16.40	16.54	15.44	18.75	20.31	20.25	1.31	1.25	2.00	0.31	0.75	0.89	7/8
16	17.40	3.50	18.50	18.64	17.54	21.00	22.56	22.50	1.38	1.31	2.06	0.31	0.75	0.97	7/8
18	19.50	3.50	20.60	20.74	19.64	23.25	24.83	24.75	1.44	1.38	2.13	0.31	0.75	1.05	7/8
20	21.60	3.50	22.70	22.84	21.74	25.50	27.08	27.00	1.50	1.44	2.19	0.31	0.75	1.12	7/8
24	25.80	3.50	26.90	27.04	25.94	30.00	31.58	31.50	1.62	1.56	2.31	0.31	0.75	1.22	7/8
30	32.00	4.00	33.29	33.46	32.17	36.88	39.12	39.12	1.81	2.00	2.75	0.38	1.00	1.50	1 1/8
36	38.30	4.00	39.59	39.76	38.47	43.75	46.00	46.00	2.00	2.00	2.75	0.38	1.00	1.80	1 1/8
42	44.50	4.00	45.79	45.96	44.67	50.62	53.12	53.12	2.00	2.00	2.75	0.38	1.00	1.95	1 3/8
48	50.80	4.00	52.09	52.26	50.97	57.50	60.00	60.00	2.00	2.00	2.75	0.38	1.00	2.20	1 3/8

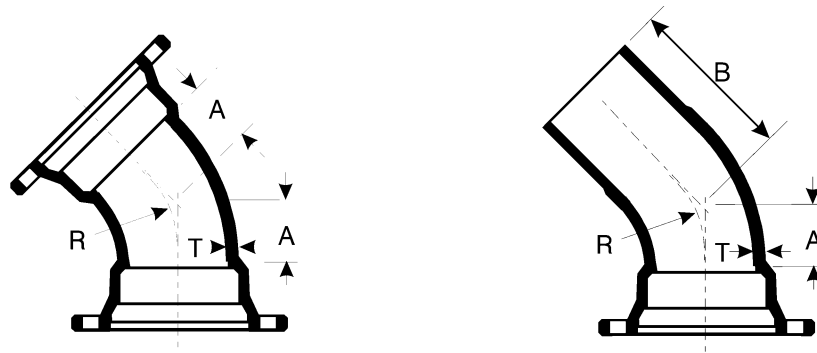
Bolts			Plain End Details	
No.	Size	Length	OD	Ls
4	5/8	3.00	3.96	5.50
4	3/4	3.50	4.80	5.50
6	3/4	3.50	6.90	5.50
6	3/4	4.00	9.05	5.50
8	3/4	4.00	11.10	5.50
8	3/4	4.00	13.20	5.50
10	3/4	4.50	15.30	8.00
12	3/4	4.50	17.40	8.00
12	3/4	4.50	19.50	8.00
14	3/4	4.50	21.60	8.00
16	3/4	5.00	25.80	8.00
20	1.00	6.00	32.00	8.00
24	1.00	6.00	38.30	8.00
28	1 1/4	6.50	44.50	8.00
32	1 1/4	6.50	50.80	8.00

Dimensions in inches
Weights in pounds



1/4 (90 DEG) BENDS

		MJxMJ DUCTILE IRON		MJxPE DUCTILE IRON				
Size	Item No.	A	Item No.	B	R	T	MJxMJ Wt.	MJxPE Wt.
3	XMB390	5.50	XME390	13.50	4.00	0.48	35	35
4	XMB490	6.50	XME490	14.50	4.50	0.52	55	50
6	XMB690	8.00	XME690	16.00	6.00	0.55	85	80
8	XMB890	9.00	XME890	17.00	7.00	0.60	125	120
10	XMB1090	11.00	XME1090	19.00	9.00	0.68	190	190
12	XMB1290	12.00	XME1290	20.00	10.00	0.75	255	255
14	XMB1490	14.00	XME1490	22.00	11.50	0.66	340	325
16	XMB1690	15.00	XME1690	23.00	12.50	0.70	430	410
18	XMB1890	16.50	XME1890	24.50	14.00	0.75	545	520
20	XMB2090	18.00	XME2090	26.00	15.50	0.80	680	650
24	XMB2490	22.00	XME2490	30.00	18.50	0.89	1025	985
30	XMB3090	25.00	XME3090	33.00	21.50	1.03	1690	1585
36	XMB3690	28.00	XME3690	36.00	24.50	1.15	2475	2310
42	XMB4290	31.00	XME4290	39.00	27.50	1.28	3410	3200
48	XMB4890	34.00	XME4890	42.00	30.50	1.42	4595	4330

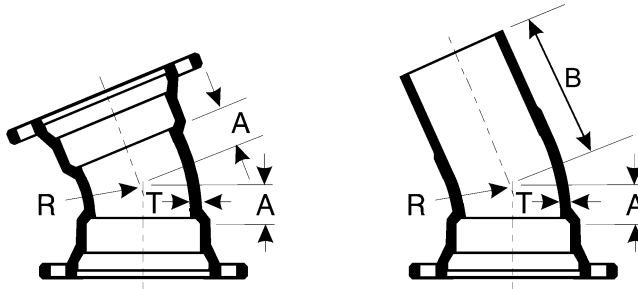


1/8 (45 DEG) BENDS

		MJxMJ DUCTILE IRON		MJxPE DUCTILE IRON				
Size	Item No.	A	Item No.	B	R	T	MJxMJ Wt.	MJxPE Wt.
3	XMB345	3.00	XME345	11.00	3.62	0.48	30	30
4	XMB445	4.00	XME445	12.00	4.81	0.52	50	45
6	XMB645	5.00	XME645	13.00	7.25	0.55	75	70
8	XMB845	5.50	XME845	13.50	8.44	0.60	110	105
10	XMB1045	6.50	XME1045	14.50	10.88	0.68	155	155
12	XMB1245	7.50	XME1245	15.50	13.25	0.75	215	215
14	XMB1445	7.50	XME1445	15.50	12.06	0.66	270	255
16	XMB1645	8.00	XME1645	16.00	13.25	0.70	340	320
18	XMB1845	8.50	XME1845	16.50	14.50	0.75	420	395
20	XMB2045	9.50	XME2045	17.50	16.88	0.80	530	500
24	XMB2445	11.00	XME2445	19.00	18.12	0.89	755	715
30	XMB3045	15.00	XME3045	23.00	27.75	1.03	1380	1275
36	XMB3645	18.00	XME3645	26.00	35.00	1.15	2095	1930
42	XMB4245	21.00	XME4245	29.00	42.25	1.28	2955	2745
48	XMB4845	24.00	XME4845	32.00	49.50	1.42	4080	3815

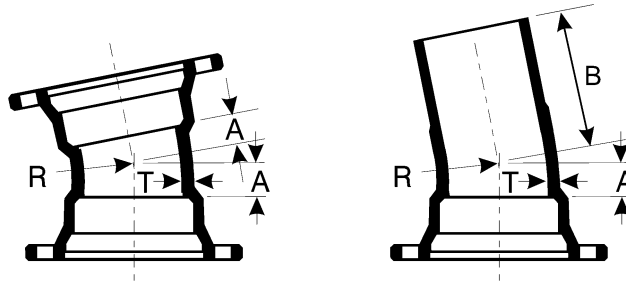
Dimensions in inches
Weights in pounds

C110 Mechanical Joint Fittings



1/16 (22-1/2 DEG) BENDS

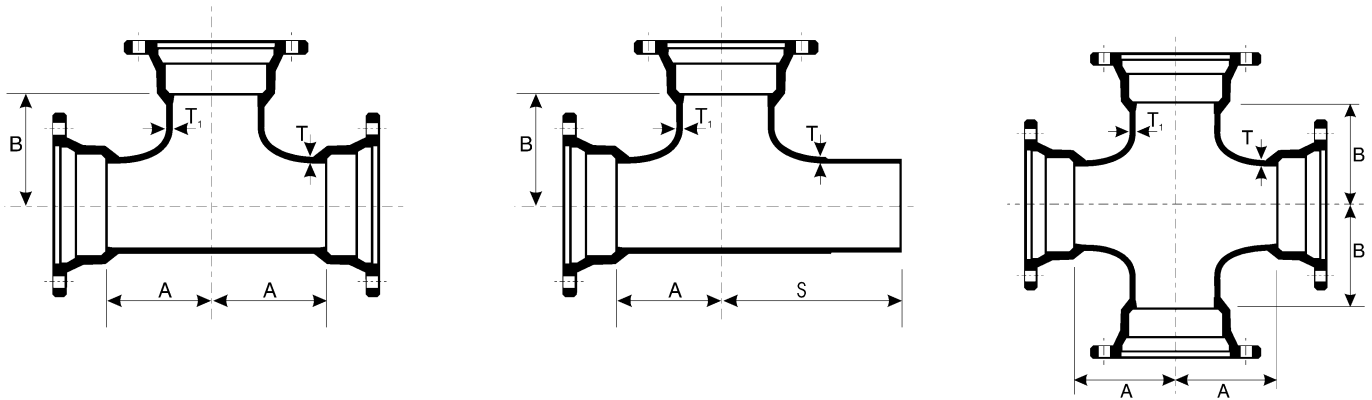
		MJxMJ DUCTILE IRON		MJxPE DUCTILE IRON				MJxMJ Wt.	MJxPE Wt.
Size	Item No.	A	Item No.	B	R	T			
3	XMB322	3.00	XME322	11.00	7.56	0.48	30	30	
4	XMB422	4.00	XME422	12.00	10.06	0.52	50	45	
6	XMB622	5.00	XME622	13.00	15.06	0.55	75	70	
8	XMB822	5.50	XME822	13.50	17.62	0.60	110	105	
10	XMB1022	6.50	XME1022	14.50	22.62	0.68	160	160	
12	XMB1222	7.50	XME1222	15.50	27.62	0.75	220	220	
14	XMB1422	7.50	XME1422	15.50	25.12	0.66	275	260	
16	XMB1622	8.00	XME1622	16.00	27.62	0.70	345	325	
18	XMB1822	8.50	XME1822	16.50	30.19	0.75	430	405	
20	XMB2022	9.50	XME2022	17.50	35.19	0.80	535	505	
24	XMB2422	11.00	XME2422	19.00	37.69	0.89	765	725	
30	XMB3022	15.00	XME3022	23.00	57.81	1.03	1400	1295	
36	XMB3622	18.00	XME3622	26.00	72.88	1.15	2135	1970	
42	XMB4222	21.00	XME4222	29.00	88.00	1.28	3020	2810	
48	XMB4822	24.00	XME4822	32.00	103.06	1.42	4170	3905	



1/32 (11-1/4 DEG) BENDS

		MJxMJ DUCTILE IRON		MJxPE DUCTILE IRON				MJxMJ Wt.	MJxPE Wt.
Size	Item No.	A	Item No.	B	R	T			
3	XMB311	3.00	XME311	11.00	15.25	0.48	30	30	
4	XMB411	4.00	XME411	12.00	20.31	0.52	50	45	
6	XMB611	5.00	XME611	13.00	30.50	0.55	75	70	
8	XMB811	5.50	XME811	13.50	35.50	0.60	110	105	
10	XMB1011	6.50	XME1011	14.50	45.69	0.68	160	160	
12	XMB1211	7.50	XME1211	15.50	55.81	0.75	220	220	
14	XMB1411	7.50	XME1411	15.50	50.75	0.66	275	260	
16	XMB1611	8.00	XME1611	16.00	55.81	0.70	345	325	
18	XMB1811	8.50	XME1811	16.50	60.94	0.75	430	405	
20	XMB2011	9.50	XME2011	17.50	71.06	0.80	540	510	
24	XMB2411	11.00	XME2411	19.00	76.12	0.89	770	730	
30	XMB3011	15.00	XME3011	23.00	116.75	1.03	1410	1305	
36	XMB3611	18.00	XME3611	26.00	147.25	1.15	2145	1980	
42	XMB4211	21.00	XME4211	29.00	177.69	1.28	3035	2825	
48	XMB4811	24.00	XME4811	32.00	208.12	1.42	4190	3925	

Dimensions in inches
Weights in pounds

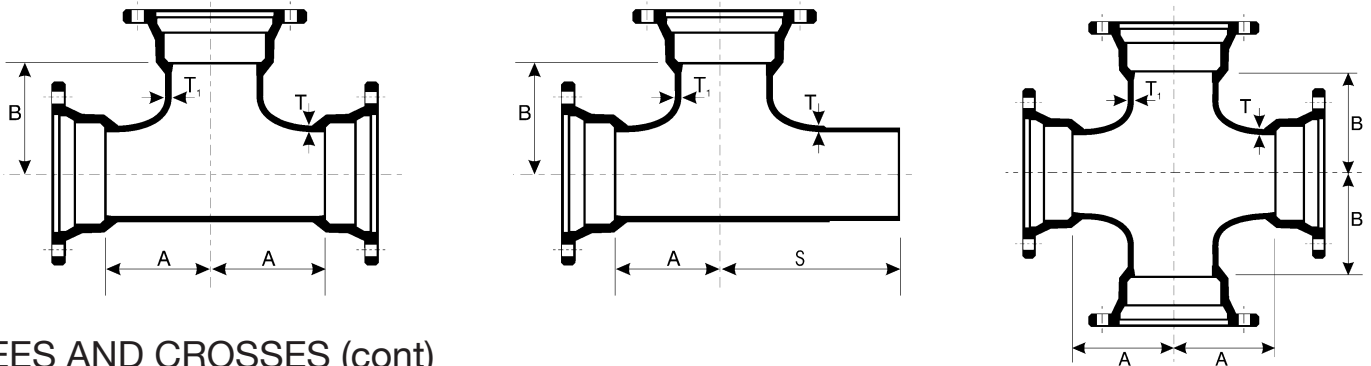


TEES AND CROSSES (continues on following page)

Size		psi	TEE		CROSS	T	T1	A	B	S	Tee Wt.	XTE Wt.	Cross Wt.
Run	Br		MJxMJ	MJxPE									
3	3	350	XMT33	XTE33	XMC33	0.48	0.48	5.50	5.50	13.50	55	55	70
4	3	350	XMT43	XTE43	XMC43	0.52	0.48	6.50	6.50	14.50	75	70	90
4	4	350	XMT44	XTE44	XMC44	0.52	0.52	6.50	6.50	14.50	80	75	105
6	3	350	XMT63	XTE63	XMC63	0.55	0.48	8.00	8.00	16.00	110	105	125
6	4	350	XMT64	XTE64	XMC64	0.55	0.52	8.00	8.00	16.00	115	110	140
6	6	350	XMT66	XTE66	XMC66	0.55	0.55	8.00	8.00	16.00	125	120	160
8	4	350	XMT84	XTE84	XMC84	0.60	0.52	9.00	9.00	17.00	165	160	185
8	6	350	XMT86	XTE86	XMC86	0.60	0.55	9.00	9.00	17.00	175	170	205
8	8	350	XMT88	XTE88	XMC88	0.60	0.60	9.00	9.00	17.00	185	180	235
10	4	350	XMT104	XTE104	XMC104	0.68	0.52	11.00	11.00	19.00	235	235	260
10	6	350	XMT106	XTE106	XMC106	0.68	0.55	11.00	11.00	19.00	250	250	285
10	8	350	XMT108	XTE108	XMC108	0.68	0.60	11.00	11.00	19.00	260	260	310
10	10	350	XMT1010	XTE1010	XMC1010	0.80	0.80	11.00	11.00	19.00	310	310	380
12	4	350	XMT124	XTE124	XMC124	0.75	0.52	12.00	12.00	20.00	315	315	340
12	6	350	XMT126	XTE126	XMC126	0.75	0.55	12.00	12.00	20.00	325	325	360
12	8	350	XMT128	XTE128	XMC128	0.75	0.60	12.00	12.00	20.00	340	340	385
12	10	350	XMT1210	XTE1210	XMC1210	0.87	0.80	12.00	12.00	20.00	390	390	460
12	12	350	XMT1212	XTE1212	XMC1212	0.87	0.87	12.00	12.00	20.00	410	410	495
14	6	350	XMT146	XTE146	XMC146	0.66	0.55	14.00	14.00	22.00	435	420	475
14	8	350	XMT148	XTE148	XMC148	0.66	0.60	14.00	14.00	22.00	450	435	500
14	10	350	XMT1410	XTE1410	XMC1410	0.66	0.68	14.00	14.00	22.00	465	450	540
14	12	350	XMT1412	XTE1412	XMC1412	0.66	0.75	14.00	14.00	22.00	495	475	585
14	14	350	XMT1414	XTE1414	XMC1414	0.66	0.66	14.00	14.00	22.00	520	500	635
16	6	350	XMT166	XTE166	XMC166	0.70	0.55	15.00	15.00	23.00	540	520	575
16	8	350	XMT168	XTE168	XMC168	0.70	0.60	15.00	15.00	23.00	550	530	605
16	10	350	XMT1610	XTE1610	XMC1610	0.70	0.68	15.00	15.00	23.00	570	550	645
16	12	350	XMT1612	XTE1612	XMC1612	0.70	0.75	15.00	15.00	23.00	590	570	685
16	14	350	XMT1614	XTE1614	XMC1614	0.70	0.66	15.00	15.00	23.00	620	600	735
16	16	350	XMT1616	XTE1616	XMC1616	0.70	0.70	15.00	15.00	23.00	650	625	790
18	6	350	XMT186	XTE186	XMC186	0.75	0.55	13.00	15.50	21.00	590	565	625
18	8	350	XMT188	XTE188	XMC188	0.75	0.60	13.00	15.50	21.00	605	580	655
18	10	350	XMT1810	XTE1810	XMC1810	0.75	0.68	13.00	15.50	21.00	620	595	685
18	12	350	XMT1812	XTE1812	XMC1812	0.75	0.75	13.00	15.50	21.00	640	615	725
18	14	350	XMT1814	XTE1814	XMC1814	0.75	0.66	16.50	16.50	24.50	755	730	870
18	16	350	XMT1816	XTE1816	XMC1816	0.75	0.70	16.50	16.50	24.50	785	760	930
18	18	350	XMT1818	XTE1818	XMC1818	0.75	0.75	16.50	16.50	24.50	820	795	995
20	6	350	XMT206	XTE206	XMC206	0.80	0.55	14.00	17.00	22.00	725	695	760
20	8	350	XMT208	XTE208	XMC208	0.80	0.60	14.00	17.00	22.00	735	705	790
20	10	350	XMT2010	XTE2010	XMC2010	0.80	0.68	14.00	17.00	22.00	755	725	820
20	12	350	XMT2012	XTE2012	XMC2012	0.80	0.75	14.00	17.00	22.00	775	745	860
20	14	350	XMT2014	XTE2014	XMC2014	0.80	0.66	14.00	17.00	22.00	795	765	905
20	16	350	XMT2016	XTE2016	XMC2016	0.80	0.70	18.00	18.00	26.00	945	915	1085
20	18	350	XMT2018	XTE2018	XMC2018	0.80	0.75	18.00	18.00	26.00	985	950	1155
20	20	350	XMT2020	XTE2020	XMC2020	0.80	0.80	18.00	18.00	26.00	1020	990	1230

Dimensions in inches
Weights in pounds

C110 Mechanical Joint Fittings



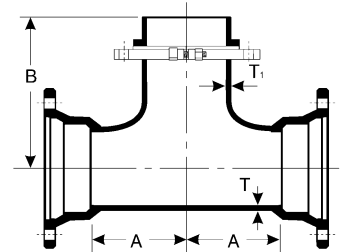
TEES AND CROSSES (cont)

Size		psi	TEE		CROSS	T	T1	A	B	S	Tee Wt.	XTE Wt	Cross Wt
Run	Br		MJxMJ	MJxPE									
24	6	350	XMT246	XTE246	XMC246	0.89	0.55	15.00	19.00	23.00	985	945	1025
24	8	350	XMT248	XTE248	XMC248	0.89	0.60	15.00	19.00	23.00	1000	960	1045
24	10	350	XMT2410	XTE2410	XMC2410	0.89	0.68	15.00	19.00	23.00	1020	980	1085
24	12	350	XMT2412	XTE2412	XMC2412	0.89	0.75	15.00	19.00	23.00	1030	990	1110
24	14	350	XMT2414	XTE2414	XMC2414	0.89	0.66	15.00	19.00	23.00	1055	1015	1155
24	16	350	XMT2416	XTE2416	XMC2416	0.89	0.70	15.00	19.00	23.00	1075	1035	1200
24	18	350	XMT2418	XTE2418	XMC2418	0.89	0.75	22.00	22.00	30.00	1400	1360	1590
24	20	350	XMT2420	XTE2420	XMC2420	0.89	0.80	22.00	22.00	30.00	1450	1410	1675
24	24	350	XMT2424	XTE2424	XMC2424	0.89	0.89	22.00	22.00	30.00	1535	1490	1835
30	6	250	XMT306	XTE306	XMC306	1.03	0.55	18.00	23.00	26.00	1730	1615	1770
30	8	250	XMT308	XTE308	XMC308	1.03	0.60	18.00	23.00	26.00	1745	1630	1795
30	10	250	XMT3010	XTE3010	XMC3010	1.03	0.68	18.00	23.00	26.00	1760	1645	1830
30	12	250	XMT3012	XTE3012	XMC3012	1.03	0.75	18.00	23.00	26.00	1780	1665	1865
30	14	250	XMT3014	XTE3014	XMC3014	1.03	0.66	18.00	23.00	26.00	1800	1685	1905
30	16	250	XMT3016	XTE3016	XMC3016	1.03	0.70	18.00	23.00	26.00	1820	1705	1950
30	18	250	XMT3018	XTE3018	XMC3018	1.03	0.75	18.00	23.00	26.00	1845	1730	2000
30	20	250	XMT3020	XTE3020	XMC3020	1.03	0.80	18.00	23.00	26.00	1875	1760	2060
30	24	250	XMT3024	XTE3024	XMC3024	1.03	0.89	25.00	25.00	33.00	2400	2280	2675
30	30	250	XMT3030	XTE3030	XMC3030	1.03	1.03	25.00	25.00	33.00	2595	2480	3075
36	8	250	XMT368	XTE368	XMC368	1.15	0.60	20.00	26.00	28.00	2520	2345	2565
36	10	250	XMT3610	XTE3610	XMC3610	1.15	0.68	20.00	26.00	28.00	2535	2360	2600
36	12	250	XMT3612	XTE3612	XMC3612	1.15	0.75	20.00	26.00	28.00	2550	2375	2630
36	14	250	XMT3614	XTE3614	XMC3614	1.15	0.66	20.00	26.00	28.00	2570	2395	2665
36	16	250	XMT3616	XTE3616	XMC3616	1.15	0.70	20.00	26.00	28.00	2585	2410	2705
36	18	250	XMT3618	XTE3618	XMC3618	1.15	0.75	20.00	26.00	28.00	2610	2435	2750
36	20	250	XMT3620	XTE3620	XMC3620	1.15	0.80	20.00	26.00	28.00	2635	2460	2805
36	24	250	XMT3624	XTE3624	XMC3624	1.15	0.89	20.00	26.00	28.00	2690	2515	2910
36	30	250	XMT3630	XTE3630	XMC3630	1.15	1.03	28.00	28.00	36.00	3545	3365	3965
36	36	250	XMT3636	XTE3636	XMC3636	1.15	1.15	28.00	28.00	36.00	3745	3565	4370
42	12	250	XMT4212	XTE4212	XMC4212	1.28	0.75	23.00	30.00	31.00	3555	3335	3640
42	14	250	XMT4214	XTE4214	XMC4214	1.28	0.66	23.00	30.00	31.00	3575	3355	3675
42	16	250	XMT4216	XTE4216	XMC4216	1.28	0.70	23.00	30.00	31.00	3595	3375	3715
42	18	250	XMT4218	XTE4218	XMC4218	1.28	0.75	23.00	30.00	31.00	3615	3395	3755
42	20	250	XMT4220	XTE4220	XMC4220	1.28	0.80	23.00	30.00	31.00	3640	3420	3810
42	24	250	XMT4224	XTE4224	XMC4224	1.28	0.89	23.00	30.00	31.00	3690	3470	3910
42	30	250	XMT4230	XTE4230	XMC4230	1.28	1.03	31.00	31.00	39.00	4650	4425	5040
42	36	250	XMT4236	XTE4236	XMC4236	1.78	1.58	31.00	31.00	39.00	6075	5850	6655
42	42	250	XMT4242	XTE4242	XMC4242	1.78	1.78	31.00	31.00	39.00	6320	6095	7145
48	12	250	XMT4812	XTE4812	XMC4812	1.42	0.75	26.00	34.00	34.00	4870	4580	4955
48	14	250	XMT4814	XTE4814	XMC4814	1.42	0.66	26.00	34.00	34.00	4885	4595	4985
48	16	250	XMT4816	XTE4816	XMC4816	1.42	0.70	26.00	34.00	34.00	4905	4615	5025
48	18	250	XMT4818	XTE4818	XMC4818	1.42	0.75	26.00	34.00	34.00	4925	4635	5065
48	20	250	XMT4820	XTE4820	XMC4820	1.42	0.80	26.00	34.00	34.00	4950	4660	5115
48	24	250	XMT4824	XTE4824	XMC4824	1.42	0.89	26.00	34.00	34.00	4995	4705	5210
48	30	250	XMT4830	XTE4830	XMC4830	1.42	1.03	26.00	34.00	34.00	5140	4855	5495
48	36	250	XMT4836	XTE4836	XMC4836	1.42	1.15	34.00	34.00	42.00	6280	5995	6790
48	42	250	XMT4842	XTE4842	XMC4842	1.96	1.78	34.00	34.00	42.00	8130	7845	8815
48	48	250	XMT4848	XTE4848	XMC4848	1.96	1.96	34.00	34.00	42.00	8420	8135	9380

Dimensions in inches
Weights in pounds

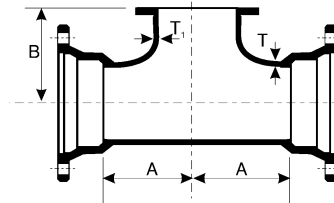
HYDRANT TEES

Size		Item No.	Wt.	A	B	T	T1
Run	Branch						
6	6	XMH66	116	8.00	10.50	0.55	0.55
8	6	XMH86	210	9.00	11.50	0.60	0.55
8	8	XMH88	198	9.00	11.50	0.60	0.60
10	6	XMH106	270	11.00	13.50	0.68	0.55
12	6	XMH126	341	12.00	14.50	0.75	0.55
14	6	XMH146	500	14.00	16.50	0.66	0.55
16	6	XMH166	540	15.00	17.50	0.70	0.55
16	8	XMH168	649	15.00	17.50	0.70	0.60
18	6	XMH186	750	13.00	17.50	0.75	0.55
20	6	XMH206	829	14.00	19.50	0.80	0.55
24	6	XMH246	1134	15.00	21.50	0.89	0.55
30	6	XMH306	1739	18.00	24.50	1.03	0.55



MJ X FLANGE TEES

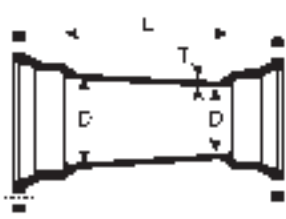
Size		Item No.	Wt.	A	B	T	T1
Run	Br						
4	4	XMF44	89	6.50	6.50	0.52	0.52
6	4	XMF64	129	8.00	8.00	0.55	0.52
6	6	XMF66	140	8.00	8.00	0.55	0.55
8	4	XMF84	159	9.00	9.00	0.60	0.52
8	6	XMF86	195	9.00	9.00	0.60	0.55
8	8	XMF88	175	9.00	9.00	0.60	0.60
10	4	XMF104	229	11.00	11.00	0.68	0.52
10	6	XMF106	222	11.00	11.00	0.68	0.55
10	8	XMF108	250	11.00	11.00	0.68	0.60
10	10	XMF1010	260	11.00	11.00	0.80	0.80
12	4	XMF124	309	12.00	12.00	0.75	0.52
12	6	XMF126	336	12.00	12.00	0.75	0.55
12	8	XMF128	330	12.00	12.00	0.75	0.60
12	10	XMF1210	380	12.00	12.00	0.87	0.80
12	12	XMF1212	400	12.00	12.00	0.87	0.87
14	6	XMF146	490	14.00	14.00	0.66	0.55
14	8	XMF148	500	14.00	14.00	0.66	0.60
16	4	XMF164	575	15.00	15.00	0.70	0.52
16	6	XMF166	605	15.00	15.00	0.70	0.55
16	8	XMF168	615	15.00	15.00	0.70	0.60
16	10	XMF1610	635	15.00	15.00	0.70	0.68
16	12	XMF1612	650	15.00	15.00	0.70	0.75
16	16	XMF1616	730	15.00	15.00	0.70	0.70
18	6	XMF186	665	13.00	15.50	0.75	0.55
18	8	XMF188	675	13.00	15.50	0.75	0.60
18	12	XMF1812	705	13.00	15.50	0.75	0.75
18	18	XMF1818	915	16.50	16.50	0.75	0.75
20	6	XMF206	820	14.00	17.00	0.80	0.55
20	8	XMF208	835	14.00	17.00	0.80	0.60
20	12	XMF2012	865	14.00	17.00	0.80	0.75
20	16	XMF2016	1075	18.00	18.00	0.80	0.70
20	20	XMF2020	1165	18.00	18.00	0.80	0.80
24	6	XMF246	1125	15.00	19.00	0.89	0.55



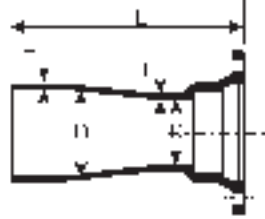
Size		Item No.	Wt.	A	B	T	T1
Run	Br						
24	8	XMF248	1140	15.00	19.00	0.89	0.60
24	10	XMF2410	1150	15.00	19.00	0.89	0.68
24	12	XMF2412	1165	15.00	19.00	0.89	0.75
24	14	XMF2414	1205	15.00	19.00	0.89	0.66
24	16	XMF2416	1230	15.00	19.00	0.89	0.70
24	18	XMF2418	1640	22.00	22.00	0.89	0.75
24	20	XMF2420	1705	22.00	22.00	0.89	0.80
24	24	XMF2424	1795	22.00	22.00	0.89	0.89
30	6	XMF306	1710	18.00	23.00	1.03	0.55
30	8	XMF308	1725	18.00	23.00	1.03	0.60
36	6	XMF366	2430	20.00	26.00	1.15	0.55
36	8	XMF368	2505	20.00	26.00	1.15	0.60
36	12	XMF3612	2541	20.00	26.00	1.15	0.75
36	30	XMF3630	2964	28.00	28.00	1.15	1.03
36	36	XMF3636	3461	28.00	28.00	1.15	1.15
42	24	XMF4224	3527	23.00	30.00	1.28	0.89
42	42	XMF4242	6320	31.00	31.00	1.78	1.78

Dimensions in inches
Weights in pounds

C110 Mechanical Joint Fittings



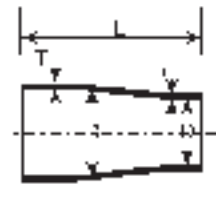
XMR (MJxMJ)



XSPR (MJxPE)



XLPR (PExMJ)



XPPR (PExPE)

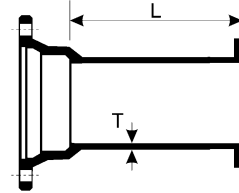
REDUCERS

Size		MJ x MJ			MJ x PE			PE x MJ			PE x PE			T	T1
D	D1	Item No	Wt.	L	Item No	Wt.	L	Item No	Wt.	L	Item No	Wt.	L		
4	3	XMR43	40	7.00	XSPR43	35	15.00	XLPR43	40	15.00	XPPR43	35	23.00	0.52	0.48
6	3	XMR63	55	9.00	XSPR63	50	17.00	XLPR63	55	17.00	XPPR63	50	25.00	0.55	0.48
6	4	XMR64	60	9.00	XSPR64	60	17.00	XLPR64	60	17.00	XPPR64	55	25.00	0.55	0.52
8	4	XMR84	80	11.00	XSPR84	80	19.00	XLPR84	80	19.00	XPPR84	75	27.00	0.60	0.52
8	6	XMR86	95	11.00	XSPR86	90	19.00	XLPR86	90	19.00	XPPR86	85	27.00	0.60	0.55
10	4	XMR104	105	12.00	XSPR104	100	20.00	XLPR104	100	20.00	XPPR104	100	28.00	0.68	0.52
10	6	XMR106	115	12.00	XSPR106	115	20.00	XLPR106	115	20.00	XPPR106	115	28.00	0.68	0.55
10	8	XMR108	135	12.00	XSPR108	130	20.00	XLPR108	130	20.00	XPPR108	130	28.00	0.68	0.60
12	4	XMR124	135	14.00	XSPR124	130	22.00	XLPR124	130	22.00	XPPR124	130	30.00	0.75	0.52
12	6	XMR126	150	14.00	XSPR126	150	22.00	XLPR126	145	22.00	XPPR126	145	30.00	0.75	0.55
12	8	XMR128	165	14.00	XSPR128	165	22.00	XLPR128	165	22.00	XPPR128	165	30.00	0.75	0.60
12	10	XMR1210	190	14.00	XSPR1210	190	22.00	XLPR1210	185	22.00	XPPR1210	185	30.00	0.75	0.68
14	6	XMR146	190	16.00	XSPR146	175	24.00	XLPR146	185	24.00	XPPR146	170	32.00	0.66	0.55
14	8	XMR148	210	16.00	XSPR148	190	24.00	XLPR148	205	24.00	XPPR148	190	32.00	0.66	0.60
14	10	XMR1410	230	16.00	XSPR1410	215	24.00	XLPR1410	230	24.00	XPPR1410	215	32.00	0.66	0.68
14	12	XMR1412	255	16.00	XSPR1412	240	24.00	XLPR1412	255	24.00	XPPR1412	240	32.00	0.66	0.75
16	6	XMR166	230	18.00	XSPR166	210	26.00	XLPR166	230	26.00	XPPR166	210	34.00	0.70	0.55
16	8	XMR168	250	18.00	XSPR168	230	26.00	XLPR168	250	26.00	XPPR168	230	34.00	0.70	0.60
16	10	XMR1610	280	18.00	XSPR1610	255	26.00	XLPR1610	275	26.00	XPPR1610	255	34.00	0.70	0.68
16	12	XMR1612	305	18.00	XSPR1612	285	26.00	XLPR1612	305	26.00	XPPR1612	285	34.00	0.70	0.75
16	14	XMR1614	335	18.00	XSPR1614	310	26.00	XLPR1614	315	26.00	XPPR1614	295	34.00	0.70	0.66
18	8	XMR188	295	19.00	XSPR188	270	27.00	XLPR188	295	27.00	XPPR188	270	35.00	0.75	0.60
18	10	XMR1810	325	19.00	XSPR1810	300	27.00	XLPR1810	320	27.00	XPPR1810	295	35.00	0.75	0.68
18	12	XMR1812	350	19.00	XSPR1812	325	27.00	XLPR1812	350	27.00	XPPR1812	325	35.00	0.75	0.75
18	14	XMR1814	380	19.00	XSPR1814	355	27.00	XLPR1814	365	27.00	XPPR1814	340	35.00	0.75	0.66
18	16	XMR1816	415	19.00	XSPR1816	390	27.00	XLPR1816	395	27.00	XPPR1816	370	35.00	0.75	0.70
20	10	XMR2010	375	20.00	XSPR2010	345	28.00	XLPR2010	375	28.00	XPPR2010	345	36.00	0.80	0.68
20	12	XMR2012	405	20.00	XSPR2012	375	28.00	XLPR2012	405	28.00	XPPR2012	375	36.00	0.80	0.75
20	14	XMR2014	430	20.00	XSPR2014	400	28.00	XLPR2014	415	28.00	XPPR2014	385	36.00	0.80	0.66
20	16	XMR2016	470	20.00	XSPR2016	435	28.00	XLPR2016	445	28.00	XPPR2016	415	36.00	0.80	0.70
20	18	XMR2018	510	20.00	XSPR2018	475	28.00	XLPR2018	485	28.00	XPPR2018	455	36.00	0.80	0.75
24	12	XMR2412	550	24.00	XSPR2412	510	32.00	XLPR2412	550	32.00	XPPR2412	510	40.00	0.89	0.75
24	14	XMR2414	575	24.00	XSPR2414	535	32.00	XLPR2414	560	32.00	XPPR2414	520	40.00	0.89	0.66
24	16	XMR2416	615	24.00	XSPR2416	575	32.00	XLPR2416	595	32.00	XPPR2416	555	40.00	0.89	0.70
24	18	XMR2418	660	24.00	XSPR2418	620	32.00	XLPR2418	635	32.00	XPPR2418	595	40.00	0.89	0.75
24	20	XMR2420	705	24.00	XSPR2420	665	32.00	XLPR2420	675	32.00	XPPR2420	635	40.00	0.89	0.80
30	16	XMR3016	985	30.00	XSPR3016	900	38.00	XLPR3016	910	38.00			46.00	1.03	0.70
30	18	XMR3018	990	30.00	XSPR3018	885	38.00	XLPR3018	965	38.00	XPPR3018	860	46.00	1.03	0.75
30	20	XMR3020	1050	30.00	XSPR3020	945	38.00	XLPR3020	1020	38.00	XPPR3020	915	46.00	1.03	0.80
30	24	XMR3024	1165	30.00	XSPR3024	1060	38.00	XLPR3024	1125	38.00	XPPR3024	1020	46.00	1.03	0.89
36	20	XMR3620	1450	36.00	XSPR3620	1285	44.00	XLPR3620	1420	44.00	XPPR3620	1255	52.00	1.15	0.80
36	24	XMR3624	1580	36.00	XSPR3624	1410	44.00	XLPR3624	1535	44.00	XPPR3624	1370	52.00	1.15	0.89
36	30	XMR3630	1855	36.00	XSPR3630	1690	44.00	XLPR3630	1750	44.00	XPPR3630	1585	52.00	1.15	1.03
42	20	XMR4220	1915	42.00	XSPR4220	1705	50.00	XLPR4220	1880	50.00	XPPR4220	1670	58.00	1.28	0.80
42	24	XMR4224	2060	42.00	XSPR4224	1855	50.00	XLPR4224	2020	50.00	XPPR4224	1810	58.00	1.28	0.89
42	30	XMR4230	2370	42.00	XSPR4230	2165	50.00	XLPR4230	2265	50.00	XPPR4230	2055	58.00	1.28	1.03
42	36	XMR4236	2695	42.00	XSPR4236	2485	50.00	XLPR4236	2530	50.00	XPPR4236	2320	58.00	1.28	1.15
48	30	XMR4830	3005	48.00	XSPR4830	2740	56.00	XLPR4830	2900	56.00	XPPR4830	2635	64.00	1.42	1.03
48	36	XMR4836	3370	48.00	XSPR4836	3100	56.00	XLPR4836	3205	56.00	XPPR4836	2940	64.00	1.42	1.15
48	42	XMR4842	3750	48.00	XSPR4842	3480	56.00	XLPR4842	3540	56.00	XPPR4842	3275	64.00	1.42	1.28

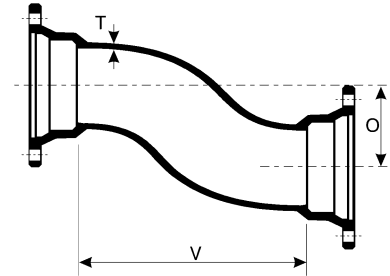
Dimensions in inches
Weights in pounds

MJ x FLANGE ADAPTERS

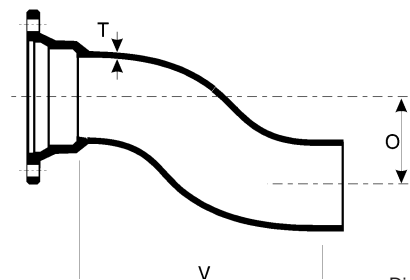
Size	Item No.	Wt.	L	T
3	XMFA3	30	8.00	0.48
4	XMFA4	40	8.00	0.52
6	XMFA6	60	8.00	0.55
8	XMFA8	85	8.00	0.60
10	XMFA10	115	8.00	0.68
12	XMFA12	155	8.00	0.75
14	XMFA14	195	8.00	0.66
16	XMFA16	240	8.00	0.70
18	XMFA18	280	8.00	0.75
20	XMFA20	340	8.00	0.80
24	XMFA24	455	8.00	0.89
30	XMFA30	760	10.00	1.03
36	XMFA36	1070	10.00	1.15
42	XMFA42	1505	12.00	1.28
48	XMFA48	1885	12.00	1.42


OFFSETS - MJ x MJ

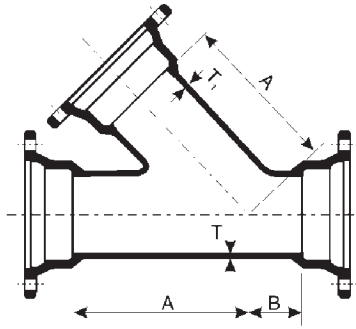
Size	Item No.	Wt.	O	V	T
3x6	XMO36	50	6.00	19.00	0.48
3x12	XMO312	60	12.00	22.00	0.48
3x18	XMO318	75	18.00	30.00	0.48
4x6	XMO46	75	6.00	19.00	0.52
4x12	XMO412	85	12.00	22.00	0.52
4x18	XMO418	105	18.00	30.00	0.52
6x6	XMO66	110	6.00	20.00	0.55
6x12	XMO612	135	12.00	26.00	0.55
6x18	XMO618	165	18.00	33.00	0.55
6x24	XMO624	195	24.00	33.00	0.55
8x6	XMO86	160	6.00	21.00	0.60
8x12	XMO812	200	12.00	28.00	0.60
8x18	XMO818	245	18.00	35.00	0.60
8x24	XMO824	325	24.00	41.00	0.60
10x6	XMO106	220	6.00	22.00	0.68
10x12	XMO1012	250	12.00	30.00	0.68
10x18	XMO1018	340	18.00	38.00	0.68
10x24	XMO1024	400	24.00	44.00	0.68
12x6	XMO126	320	6.00	26.00	0.75
12x12	XMO1212	420	12.00	37.00	0.75
12x18	XMO1218	520	18.00	48.00	0.75
12x24	XMO1224	600	24.00	54.00	0.75
20x12	XMO2012	725	12.00	40.00	0.80
20x18	XMO2018	1050	18.00	52.00	0.80
20x24	XMO2024	1245	24.00	58.00	0.80


OFFSETS - MJ x PE

Size	Item No.	Wt.	O	V	T
6x12	XMQ612	130	12.00	34.00	0.55
6x18	XMQ618	160	18.00	41.00	0.55
6x24	XMQ624	195	24.00	41.00	0.55


 Dimensions in inches
 Weights in pounds

C110 Mechanical Joint Fittings

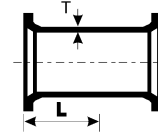
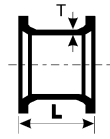


LATERAL WYES

Size		Item No.	Wt.	A	B	C	T	T1
Run	Br							
3	3	XMY33	60	10.00	3.00	10.00	0.48	0.48
4	3	XMY43	85	12.00	3.00	12.00	0.52	0.48
4	4	XMY44	95	12.00	3.00	12.00	0.52	0.52
6	3	XMY63	125	14.50	3.50	14.50	0.55	0.48
6	4	XMY64	135	14.50	3.50	14.50	0.55	0.52
6	6	XMY66	150	14.50	3.50	14.50	0.55	0.55
8	4	XMY84	190	17.50	4.50	17.50	0.60	0.52
8	6	XMY86	205	17.50	4.50	17.50	0.60	0.55
8	8	XMY88	225	17.50	4.50	17.50	0.60	0.60
10	4	XMY104	270	20.50	5.00	20.50	0.68	0.52
10	6	XMY106	285	20.50	5.00	20.50	0.68	0.55
10	8	XMY108	305	20.50	5.00	20.50	0.68	0.60
10	10	XMY1010	375	20.50	5.00	20.50	0.68	0.68
12	4	XMY124	380	24.50	5.50	24.50	0.75	0.52
12	6	XMY126	390	24.50	5.50	24.50	0.75	0.55
12	8	XMY128	415	24.50	5.50	24.50	0.75	0.60
12	10	XMY210	500	24.50	5.50	24.50	0.75	0.68
12	12	XMY1212	535	24.50	5.50	24.50	0.75	0.75
14	4	XMY144	540	27.00	6.00	27.00	0.66	0.52
14	6	XMY146	565	27.00	6.00	27.00	0.66	0.55
14	8	XMY148	595	27.00	6.00	27.00	0.66	0.60
14	10	XMY1410	630	27.00	6.00	27.00	0.66	0.68
14	12	XMY1412	690	27.00	6.00	27.00	0.66	0.75
14	14	XMY1414	700	27.00	6.00	27.00	0.66	0.66
16	4	XMY164	720	30.00	6.50	30.00	0.70	0.52
16	6	XMY166	755	30.00	6.50	30.00	0.70	0.55
16	8	XMY168	790	30.00	6.50	30.00	0.70	0.60
16	10	XMY1610	850	30.00	6.50	30.00	0.70	0.68
16	12	XMY1612	905	30.00	6.50	30.00	0.70	0.75
16	14	XMY1614	865	30.00	6.50	30.00	0.70	0.66
16	16	XMY1616	890	30.00	6.50	30.00	0.70	0.70
18	4	XMY184	925	25.00	1.00	27.50	0.75	0.52
18	6	XMY186	960	25.00	1.00	27.50	0.75	0.55
18	8	XMY188	1015	25.00	1.00	27.50	0.75	0.60
18	10	XMY1810	1070	32.00	7.00	32.00	0.75	0.68
18	12	XMY1812	1130	32.00	7.00	32.00	0.75	0.75
18	14	XMY1814	1115	32.00	7.00	32.00	0.75	0.66
18	16	XMY1816	1150	32.00	7.00	32.00	0.75	0.70
18	18	XMY1818	1190	32.00	7.00	32.00	0.75	0.75
20	4	XMY204	1250	27.00	0.00	29.50	0.80	0.52
20	6	XMY206	1300	27.00	0.00	29.50	0.80	0.55
20	8	XMY208	1365	27.00	0.00	29.50	0.80	0.60

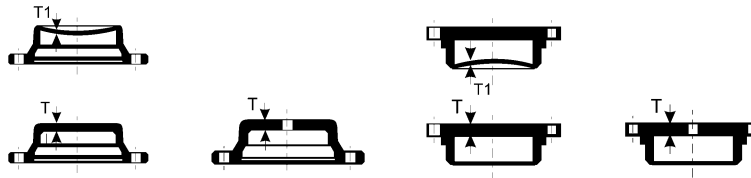
Size		Item No.	Wt.	A	B	C	T	T1
Run	Br							
20	10	XMY2010	1435	27.00	1.00	29.50	0.80	0.68
20	12	XMY2012	540	35.00	8.00	35.00	0.80	0.75
20	14	XMY2014	565	35.00	8.00	35.00	0.80	0.66
20	16	XMY2016	595	35.00	8.00	35.00	0.80	0.70
20	18	XMY2018	630	35.00	8.00	35.00	0.80	0.75
20	20	XMY2020	690	35.00	8.00	35.00	0.80	0.80
24	8	XMY248	1625	31.50	0.00	34.50	0.89	0.60
24	10	XMY2410	1660	31.50	0.50	34.50	0.89	0.68
24	12	XMY2412	1700	31.50	0.50	34.50	0.89	0.75
24	14	XMY2414	1760	40.50	9.00	40.50	0.89	0.66
24	16	XMY2416	1815	40.50	9.00	40.50	0.89	0.70
24	18	XMY2418	1880	40.50	9.00	40.50	0.89	0.75
24	20	XMY2420	1950	40.50	9.00	40.50	0.89	0.80
24	24	XMY2424	2115	40.50	9.00	40.50	0.89	0.89
30	12	XMY3012	2850	49.00	10.00	49.00	1.03	0.75
30	14	XMY3014	2915	49.00	10.00	49.00	1.03	0.66
30	16	XMY3016	2975	49.00	10.00	49.00	1.03	0.70
30	18	XMY3018	3040	49.00	10.00	49.00	1.03	0.75
30	20	XMY3020	3115	49.00	10.00	49.00	1.03	0.80
30	24	XMY3024	3280	49.00	10.00	49.00	1.03	0.89
30	30	XMY3030	3670	52.50	18.25	52.50	1.03	1.03
36	12	XMY3612	4895	54.00	15.25	54.00	1.15	0.75
36	14	XMY3614	4970	54.00	15.25	54.00	1.15	0.66
36	16	XMY3616	5040	54.00	15.25	54.00	1.15	0.70
36	18	XMY3618	5120	54.00	15.25	54.00	1.15	0.75
36	20	XMY3620	5205	54.00	15.25	54.00	1.15	0.80
36	24	XMY3624	5390	54.00	15.25	54.00	1.15	0.89
36	30	XMY3630	5805	56.00	15.25	56.00	1.15	1.03
36	36	XMY3636	6335	60.00	19.50	60.00	1.15	1.15
42	24	XMY4224	5181	60.00	12.00	60.00	1.28	0.89

42" and 48" lateral wyes are available on special order. Contact SIGMA for details.



SLEEVES

Size	SHORT SLEEVES				LONG SLEEVES			
	Item No.	L	T	Wt.	Item No.	L	T	Wt.
3	XMS3	7.5	.48	25	XML3	12.0	.48	30
4	XMS4	7.5	.52	35	XML4	12.0	.52	45
6	XMS6	7.5	.55	45	XML6	12.0	.55	65
8	XMS8	7.5	.60	65	XML8	12.0	.60	85
10	XMS10	7.5	.68	85	XML10	12.0	.68	115
12	XMS12	7.5	.75	110	XML12	12.0	.75	145
14	XMS14	9.5	.66	150	XML14	15.0	.66	195
16	XMS16	9.5	.70	180	XML16	15.0	.70	235
18	XMS18	9.5	.75	215	XML18	15.0	.75	285
20	XMS20	9.5	.80	240	XML20	15.0	.80	325
24	XMS24	9.5	.89	320	XML24	15.0	.89	425
30	XMS30	15.0	1.03	635	XML30	24.0	1.03	885
36	XMS36	15.0	1.15	855	XML36	24.0	1.15	1190
42	XMS42	15.0	1.28	1115	XML42	24.0	1.28	1550
48	XMS48	15.0	1.42	1385	XML48	24.0	1.42	1940



CAPS AND PLUGS

Size	CAPS					PLUGS				
	Solid	Tapped	T	T1	Wt.	Solid	Tapped	T	T1	Wt.
3	XMK3	XTK3	0.50	0.48	12	XMP3	XTP3	0.50	0.48	10
4	XMK4	XTK4	0.60	0.52	15	XMP4	XTP4	0.60	0.52	15
6	XMK6	XTK6	0.56	0.55	25	XMP6	XTP6	0.65	0.55	25
8	XMK8	XTK8	0.70	0.60	45	XMP8	XTP8	0.70	0.60	45
10	XMK10	XTK10	0.75	0.68	60	XMP10	XTP10	0.75	0.68	65
12	XMK12	XTK12	0.75	0.75	80	XMP12	XTP12	0.75	0.75	90
14	XMK14	XTK14	0.32	0.66	110	XMP14	XTP14	0.32	0.66	115
16	XMK16	XTK16	0.89	0.70	150	XMP16	XTP16	0.59	0.70	145
18	XMK18	XTK18	0.96	0.75	185	XMP18	XTP18	0.96	0.75	180
20	XMK20	XTK20	1.03	0.80	200	XMP20	XTP20	1.03	0.80	200
24	XMK24	XTK24	1.16	0.89	300	XMP24	XTP24	1.16	0.89	390
30	XMK30	XTK30		1.03	590	XMP30	XTP30		1.03	573
36	XMK36	XTK36		1.15	850	XMP36	XTP36		1.15	815
42	XMK42	XTK42		1.28	1180	XMP42	XTP42		1.28	1110
48	XMK48	XTK48		1.42	1595	XMP48	XTP48		1.42	1455

C110 Mechanical Joint Fittings

C110 Flanged Fittings Non-Standard Items:

Item #	Description
XMB106	C110 DI 10" X 6" MJ X MJ REDUCING BEND
XMB211	C110 DI 2" MJ x MJ 11-1/4 DEGREE BEND
XMB222	C110 DI 2" MJ x MJ 22-1/2 DEGREE BEND
XMB245	C110 DI 2" MJ x MJ 45 DEGREE BEND
XMB290	C110 DI 2" MJ x MJ 90 DEGREE BEND
XMB4205	C110 DI 42" X 42" MJ X MJ 5-5/8 DEGREE BEND
XMB4805	C110 DI 48" X 48" MJ X MJ 5-5/8 DEGREE BEND
XMB84	C110 DI 8" X 4" MJ X MJ REDUCING BEND
XMC164	C110 DI 16" X 4" MJ X MJ CROSS
XMC22	C110 DI 2" X 2" MJ X MJ CROSS
XMC32	C110 DI 3" X 2" MJ X MJ CROSS
XMC83	C110 DI 8" X 3" MJ X MJ CROSS
XMF1410	C110 DI 14" X 10" MJ X FLG TEE
XMF33	C110 DI 3" X 3" MJ X FLG TEE
XMF43	C110 DI 4" X 3" MJ X FLG TEE
XMF63	C110 DI 6" X 3" MJ X FLG TEE
XMH128	C110 DI 12" X 8" MJ X SWL TEE
XMH366	C110 DI 36" X 6" MJ X SWL TEE
XMP2	C110 DI 2" MJ PLUG
XMS2	C110 DI 2" X 2" MJ X MJ SHORT SLEEVE
XMT103	C110 DI 10" X 3" MJ X MJ TEE
XMT123	C110 DI 12" X 3" MJ X MJ TEE
XMT164	C110 DI 16" X 4" MJ X MJ TEE
XMT22	C110 DI 2" X 2" MJ X MJ TEE
XMT32	C110 DI 3" X 2" MJ X MJ TEE
XMT343	C110 DI 3" X 4" X 3" MJ X MJ X MJ TEE
XMT42	C110 DI 4" X 2" MJ X MJ TEE
XMT426	C110 DI 42" X 6" MJ X MJ TEE
XMT446	C110 DI 4" X 4" X 6" MJ X MJ X MJ TEE MC: W/ 6" SI
XMT83	C110 DI 8" X 3" MJ X MJ TEE
XMY246	C110 DI 24" X 6" MJ X MJ WYE
XMY4230	C110 DI 42" X 30" MJ X MJ WYE
XMY4236	C110 DI 42" X 36" MJ X MJ WYE
XMY4242	C110 DI 42" X 42" MJ X MJ WYE
XMY4830	C110 DI 48" X 30" MJ X MJ WYE
XMY4836	C110 DI 48" X 36" MJ X MJ WYE
XMY4848	C110 DI 48" X 48" MJ X MJ WYE
XMY83	C110 DI 8" X 3" MJ X MJ WYE
XTE4242	C110 DI 42" X 42" MJ X PE TEE

Note: Contact SIGMA for more information on non-standard fittings