



Z1203 thru Z1207

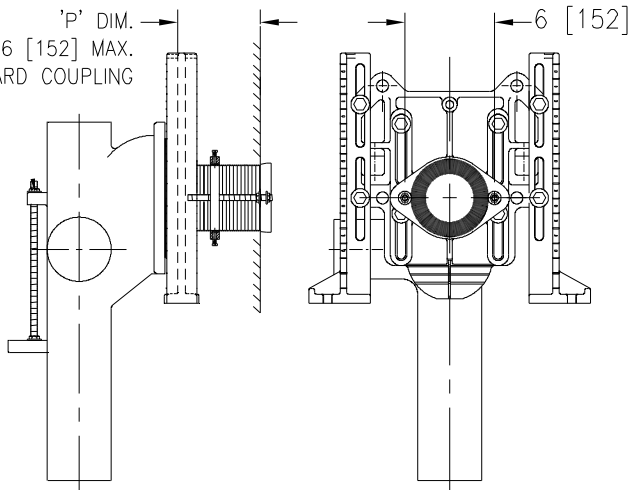
INSTALLATION INSTRUCTIONS

-F Option Floor Style Back Outlet Closet System

* Min. "P" Dim = 2 [51]

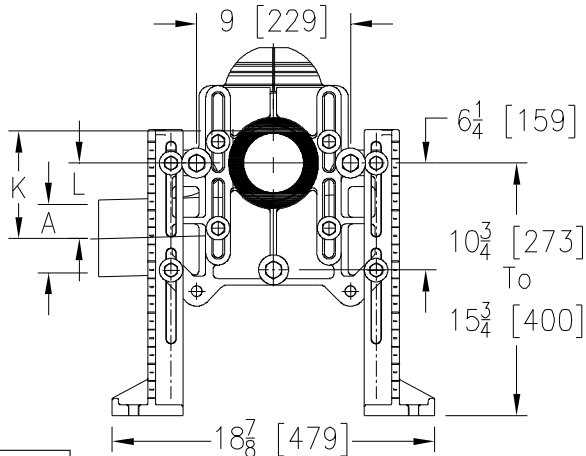
'P' DIM.
5 [127] MIN. 6 [152] MAX.
W/ STANDARD COUPLING

Flange is tapped to receive 3/8 [10] studs as required for floor style back outlet closet. All necessary 3/8 [10] studs, nuts, washers and chrome plate trim are furnished with assembly.



Rigid Blow Out System

Note:
For concealed flush valves and wall closets with rear inlet supply, face plate must be located behind supply line to prevent interference of face plate with supply line.



A I.P.S.	K	L	
		Min.	Max.
4 [102]	6 1/8 [156]	2 [51]	4 1/4 [108]
5 [127]	6 5/8 [168]	1 1/2 [38]	3 3/4 [95]

1 Lay out all necessary closet fittings on floor. To obtain spacing between units, place proper lengths of pipe between adjoining fittings (or use ZE-Series).

2 Lift lengths of pipe into place between closet fittings and make up joints being sure all faces of fittings are parallel.

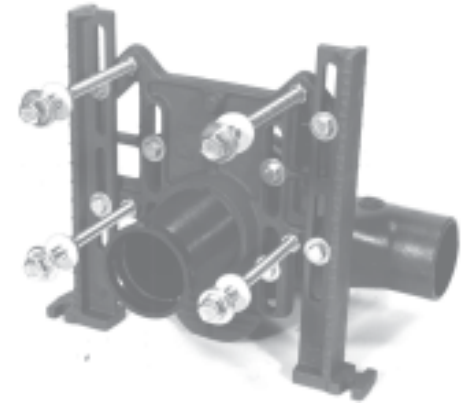
3 Roll entire assembly of connected closet fittings and drainage pipe 180° so that the flat faces are facing upward.

4 Place gasket on faces of fitting. Bolt face plate onto fitting, making certain to hand-tighten the four bolts. Beginning with the nearest fitting stack, locate top of large opening in face plate to coincide with top of oval waterway in closet fitting. (The opening on successive fittings should be located at successively lower positions to maintain proper drainage pitch). Using wrench, tighten all bolts uniformly until gasket is sufficiently compressed.

5 (Omit this step when installing non-adjustable ZF carrier) Adjust and secure feet on each faceplate, to bring closet outlet to desired closet height.

6 Roll entire assembly 90° forward onto feet, move into position, level, align, and make stack connection. Check to be sure closet outlets are in correct position and true. Secure feet to floor using rear slots (slots on fitting side of foot, not coupling side) and 1/2 [13] bolts (supplied by others).

6a (Omit this step when installing double carrier) At this point, install the rear anchor foot assembly. To assemble, screw stud into cast foot and secure with locknut, attach top of stud to anchoring lug on backside of carrier using locknuts and washers, then securely fasten cast foot to floor using 1/2 [13] bolts (supplied by others).





Z1203 thru Z1207

INSTALLATION INSTRUCTIONS

7 At this point the coupling should be installed. Wipe O-ring seal recess in face plate clean. Insert O-ring in face plate recess and lubricate with white petroleum jelly provided. Screw adjustable coupling into faceplate until it meets O-ring, recognizable by the feel of resistance to the turning motion. Then use coupling wrench to turn the coupling into the O-ring, thus obtaining a water tight seal. Continue adjustment to locate face of coupling as instructed in #9, being certain that coupling is fully engaged with O-ring at final positioning.

It is recommended that a sleeve be placed around the coupling. Should further adjustments be anticipated, as this will keep mortar from locking coupling in wall, thus allowing coupling to be turned from front side of wall. If the installation requires a shorter coupling than provided, the excess length should be cut off from the threaded end.

8 After the wall finish is completed, place backup nut and washer on each stud per dimension X shown in #9. Due to variation in gasket recesses and thicknesses of flanges on various fixtures, it is important to recheck all coupling and stud dimensional data shown in #9. (If studs are too long, they will bottom in cap nut before closet has been drawn up sufficiently to compress gasket. Coupling should extend far enough beyond finished wall so that gasket will compress properly in gasket recess to provide a leak proof seal when cap nuts are installed). Remove Neo-seal gasket from container and install in strict accordance with installation instructions therein. Place closet in position on the fixture studs and tighten securely to complete the installation. Be sure all bearing washers are located in same plane so that they all contact the closet.

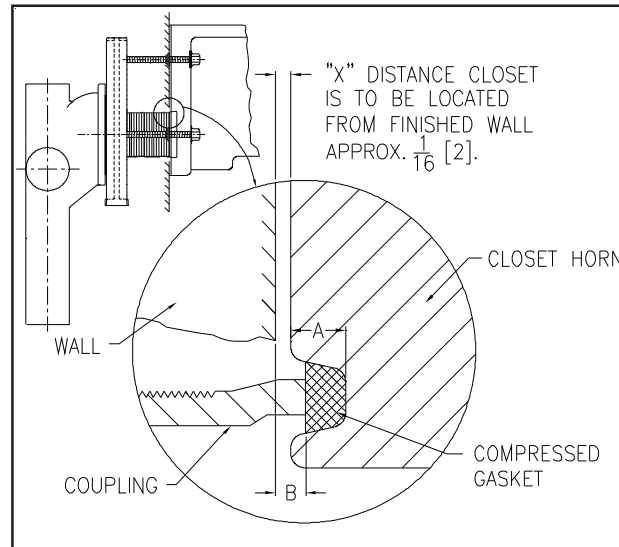
SPECIAL NOTE: The carrier is designed to support the fixture only and must be installed correctly on a floor substantial enough for support. The piping system must be supported by other means.

9 Enlarged illustration shows depth of gasket recess in fixture and coupling with normal pressure on gasket. To ensure a tight seal at outlet of closet having a rectangular groove, the front end of the coupling should be located to compress the gasket adequately when the fixture is in the desired location. This dimension will vary depending on depth of recess, (Dim. A) in closet. The following formula may be used to determine the amount the coupling should extend (Dim. B) in front of finished wall.

Let A = depth of recess in closet
 X = distance closet is to be located from finished wall.
 B = distance coupling should extend in front of finished wall.
 Thus, $A + X - 1/2 [13] = B$

With fixtures having "V" shaped grooves, coupling may have to extend an additional 1/8 [3] or more. With any closet, the coupling must compress the gasket enough so the adhesive coated surfaces are in good contact with the china and the face of the coupling.

IMPORTANT: Bearing nuts and washers must be located properly to establish and maintain dimension X.



Distance for Fixture Bolts Located in Front of Wall

To locate fixture bolts:

Let T = thickness of wall flange of closet
 X = distance closet is to be located from finished wall
 B = distance fixture stud should extend in front of finished wall.
 Thus, $T + X + 5/8 [16] = B$

10 When installed correctly, the fixture will be supported by Zurn Systems only, it will not touch the wall at any point.

IMPORTANT: When coupling with "Integral Test Cap" is utilized, Integral Test Cap must be removed prior to mounting water closet on studs and coupling for final assembly.