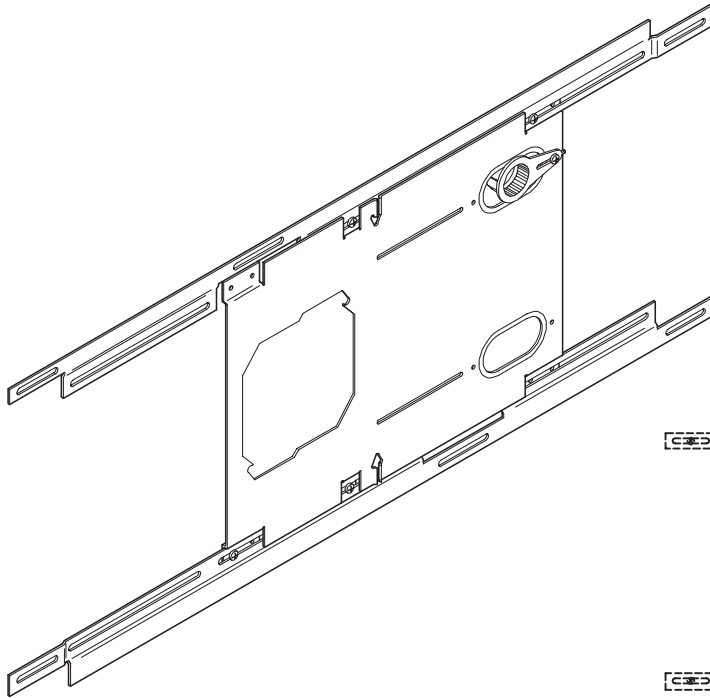
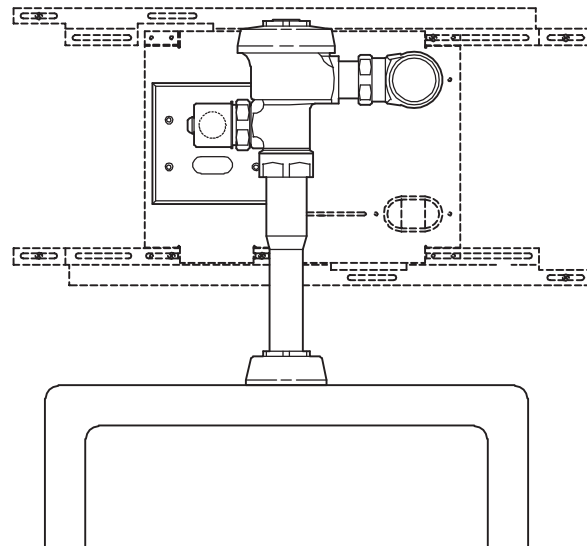


INSTALLATION INSTRUCTIONS OPTIMA[®] ES-S FLUSHOMETER ELECTRICAL BOX POSITIONING AND SUPPORT KIT FOR EXPOSED CLOSET AND URINAL INSTALLATIONS



The EL-485-A Positioning and Support Kit can be used for both Urinal and Water Closet Installations.

The EL-518-A Positioning and Support Kit can be used for Urinal Installations only.



EL-485-A and EL-518-A

Optima ES-S Flushometer
Electrical Box Positioning and
Support Kit

For Installation with Sloan
Exposed Optima ES-S
Flushometer Models

Made in the U.S.A.

This manual only covers installation of the Optima ES-S Flushometer Electrical Box Positioning and Support Kit. Use these instructions in conjunction with the separate installation instructions included with each ES-S Flushometer.

The Sloan Optima ES-S Flushometer Electrical Box Positioning and Support Kit is designed to accurately position and ease installation of the Electrical Box on exposed closet and urinal models.

The Electrical Box Positioning and Support Kit is furnished complete with a positioning plate, mounting rails, pipe support and fasteners.

The following instructions will serve as a guide when installing the Sloan ES-S Flushometer Electrical Box Positioning and Support Kit. As always, good safety practices and care are recommended when installing your new Electrical Box Positioning and Support Kit. If further assistance is required, contact your nearest Sloan Representative office or Sloan's Installation Engineering department.

LIMITED WARRANTY

Sloan Valve Company warrants its Optima ES-S Flushometer Electrical Box Positioning and Support Kit to be made of first class materials, free from defects of material or workmanship under normal use and to perform the service for which it is intended in a thoroughly reliable and efficient manner when properly installed and serviced, for a period of three years from date of purchase. During this period, Sloan Valve Company will, at its option, repair or replace any part or parts which prove to be thus defective if returned to Sloan Valve Company, at customer's cost, and this shall be the sole remedy available under this warranty. No claims will be allowed for labor, transportation or other incidental costs. This warranty extends only to persons or organizations who purchase Sloan Valve Company's products directly from Sloan Valve Company for purpose of resale.

THERE ARE NO WARRANTIES WHICH EXTEND BEYOND THE DESCRIPTION ON THE FACE HEREOF. IN NO EVENT IS SLOAN VALVE COMPANY RESPONSIBLE FOR ANY CONSEQUENTIAL DAMAGES OF ANY MEASURE WHATSOEVER.

PRIOR TO INSTALLATION

Prior to installing the Sloan Optima ES-S Flushometer Electrical Box Positioning and Support Kit, install the items listed below:

- Drain line
- Wall studs; metal (preferred), or wood
- Water supply line

The plumber installs the Sloan ES-S Flushometer Electrical Box Positioning and Support Kit when the water supply line is installed. Refer to the following instructions and illustrations for assembly and mounting procedures.

Once the Positioning and Support Kit is installed, the following must be completed:

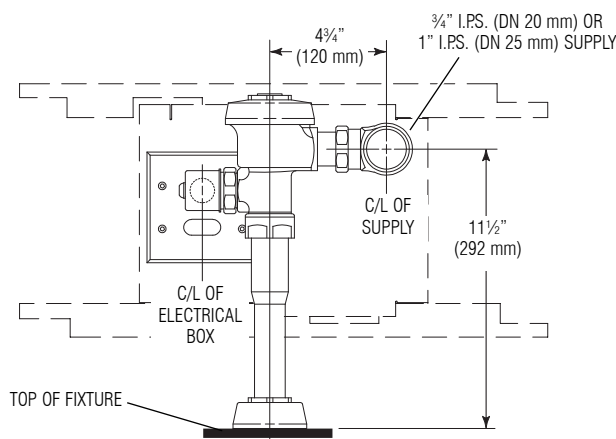
- Electrical wiring
- Finish wall
- Mount fixture

TOOLS REQUIRED FOR INSTALLATION

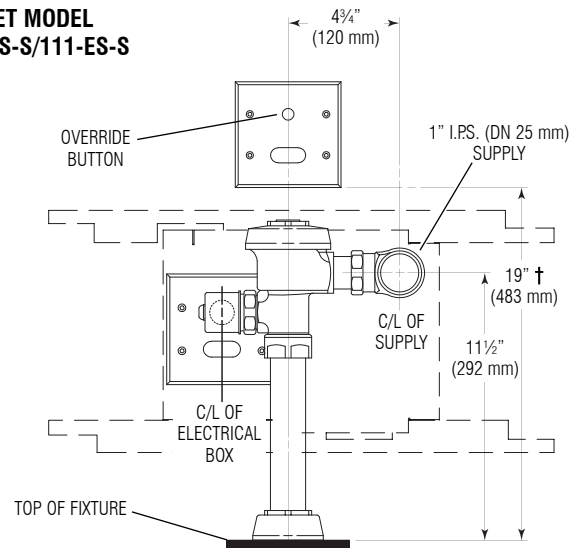
- Phillip's and straight blade screwdriver
- 5/64" Hex wrench
- Plumb line
- Utility knife or scissors

- 1 Install and position the water supply line as required for the fixture. (Water supply line may be installed either to the left or right of the fixture.)

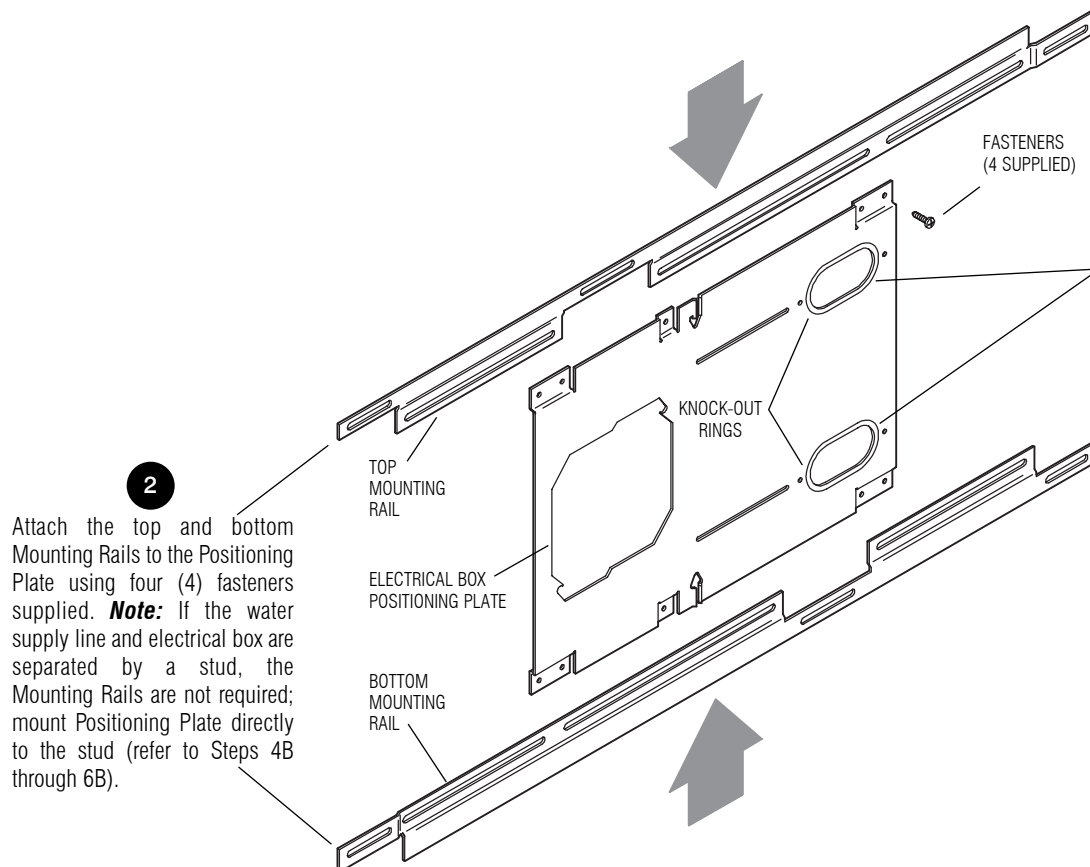
URINAL MODELS 180-ES-S & 186-ES-S



CLOSET MODEL 110-ES-S/111-ES-S



† Position of Sensor Box can be raised or lowered 1" (25 mm) if in conflict with Handicap Grab Bars.



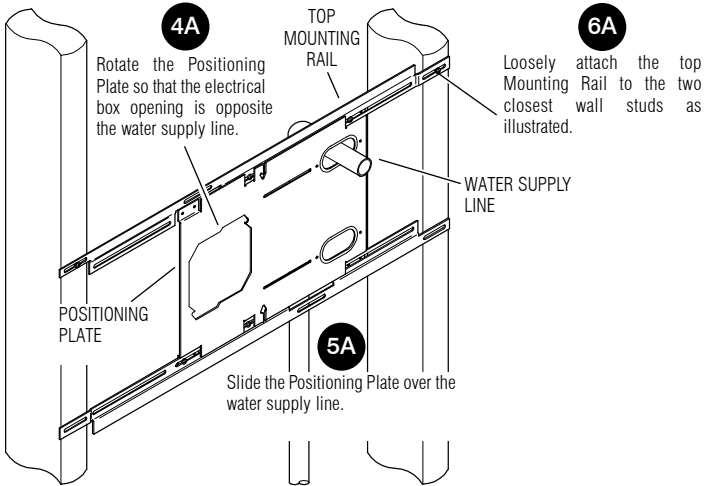
2

Attach the top and bottom Mounting Rails to the Positioning Plate using four (4) fasteners supplied. **Note:** If the water supply line and electrical box are separated by a stud, the Mounting Rails are not required; mount Positioning Plate directly to the stud (refer to Steps 4B through 6B).

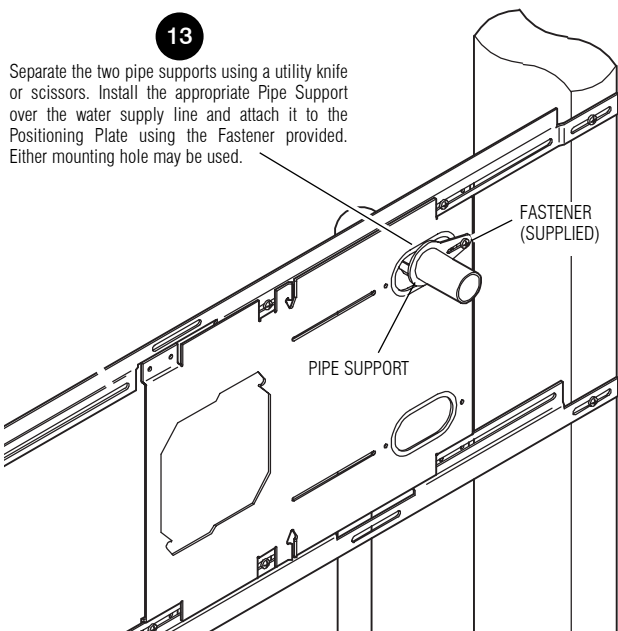
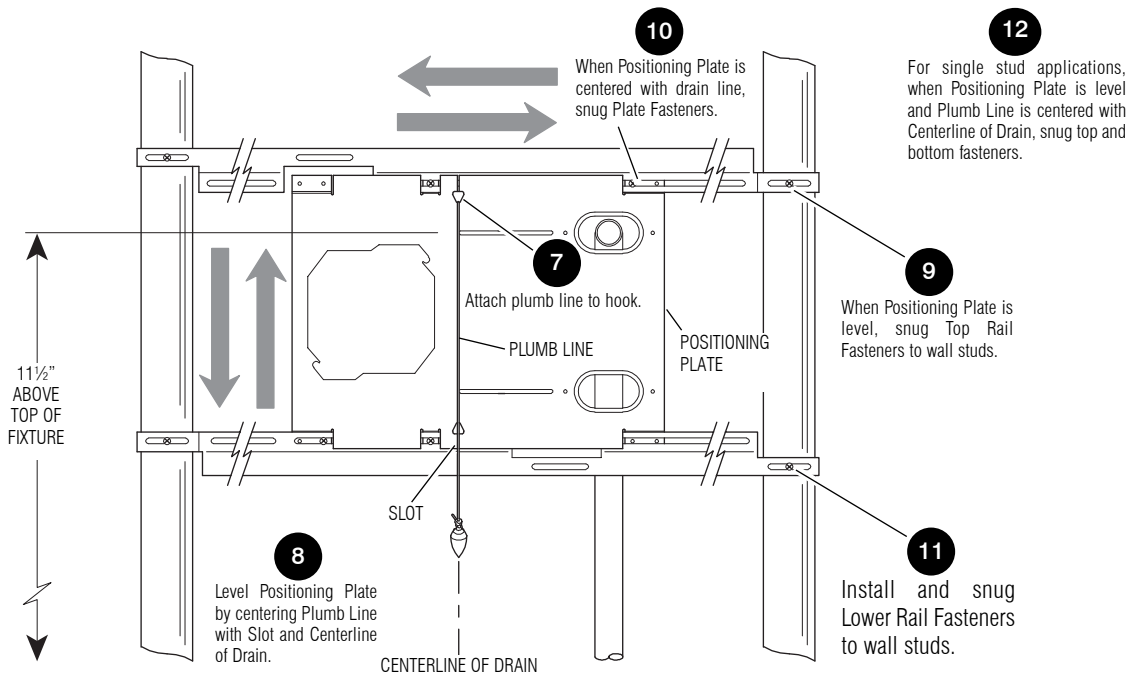
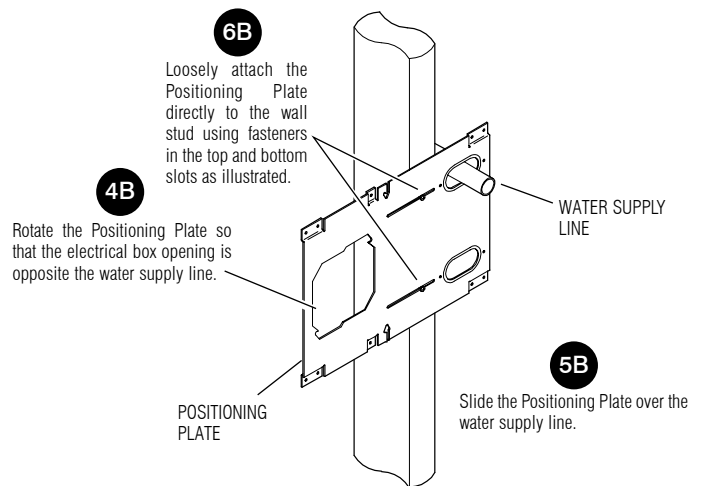
3

When Installing The Positioning Plate Over a 1 Inch Copper Supply Pipe **ONLY** — Remove the appropriate Knock-out ring by inserting a screwdriver through the opening and lightly twisting the ring to snap it out.

**For Applications Where Water Supply Line and Electrical Box are Located Between Studs
(Follow Steps 4A through 6A)**

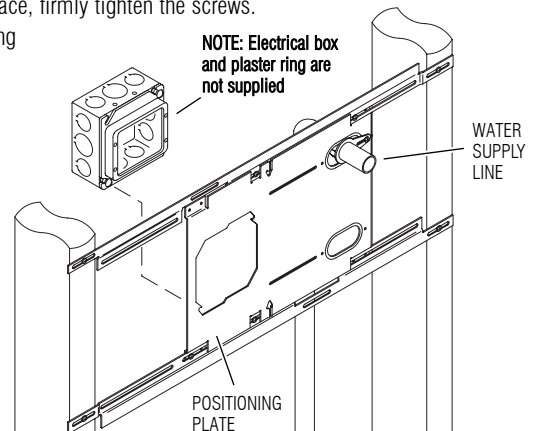


**For Applications Where Stud Separates Water Supply Line and Electrical Box
(Follow Steps 4B through 6B)**

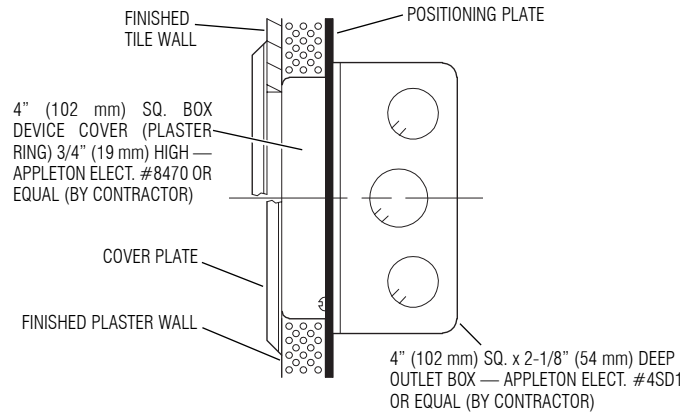
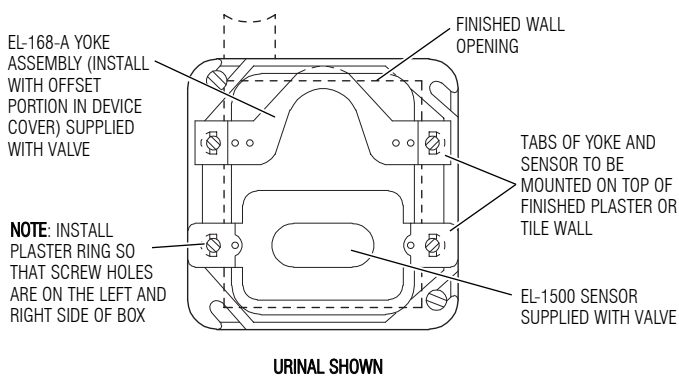


After Installation of the Sloan Optima ES-S Flushometer Electrical Box Positioning and Support Kit

- Install the plaster ring of the required depth to the electrical box leaving the screws loose (approximately one-half way out).
- Insert the electrical box assembly into the opening from behind the Positioning Plate. The opening is designed so that the electrical box is inserted at an angle and rotated into position. Once the electrical box is rotated into place, firmly tighten the screws.
- Electrical wiring
- Finish wall
- Mount fixture



ELECTRICAL BOX INSTALLATION



FOR SENSOR AND YOKE INSTALLATION REFER TO COMPLETE VALVE INSTALLATION INSTRUCTIONS
(Sensor and Yoke supplied with Flushometer Valve)

Water Closet Installations (EL-512 Adapter Kit)

When using the ETF-485-A Positioning and Support Kit for a water closet installation, the EL-151 Urinal Wall Plate must be used.

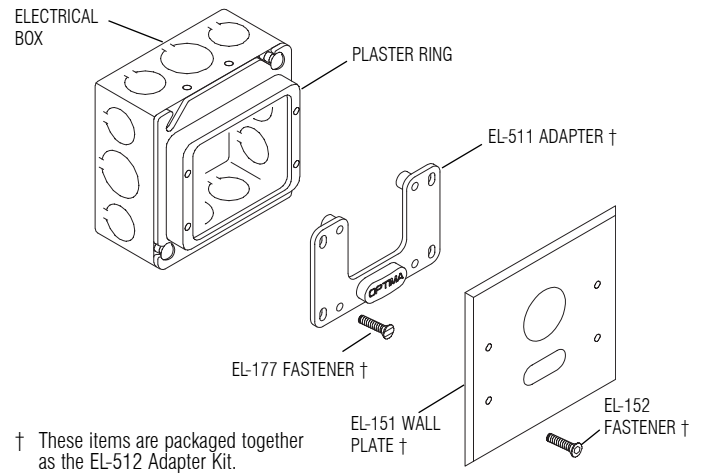
Attach the EL-511 Adapter to the plaster ring using the four (4) EL-177 #6-32 Flat Head Fasteners provided. The EL-151 Wall Plate will then fit over the Adapter which will plug the oval opening in the plate.

Note: If the EL-485-A Positioning and Support Kit is being installed prior to having the ES-S valve on the jobsite, temporarily attach the EL-151 Plate to the Adapter with the EL-152 Socket Head Fasteners.

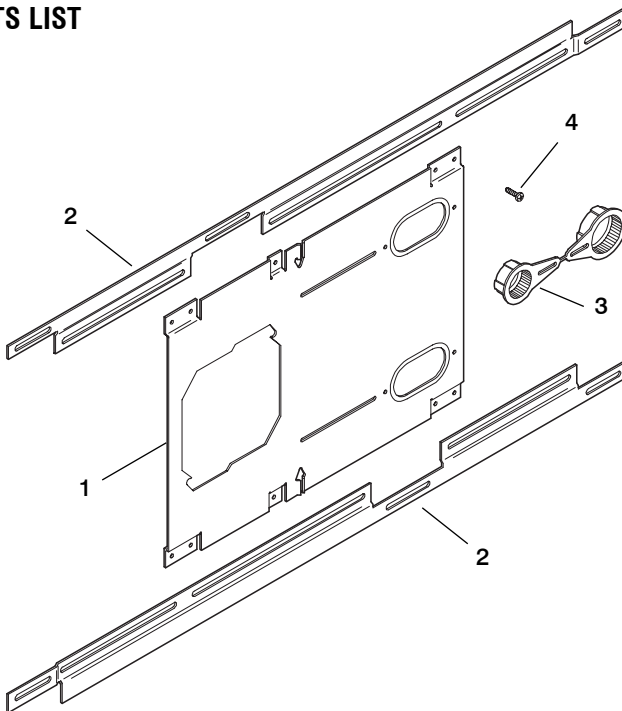
Remove and reattach the Plate when installing the flushometer. Discard the Wall Plate furnished with the valve.

When the EL-485-A Positioning and Support Kit is used for a urinal installation, the EL-511 Adapter is not used and can be discarded.

When the EL-518-A Positioning and Support Kit is packaged with the 180 ES-S or 186 ES-S Urinal Flushometer, the EL-512 Adapter Kit is not furnished.



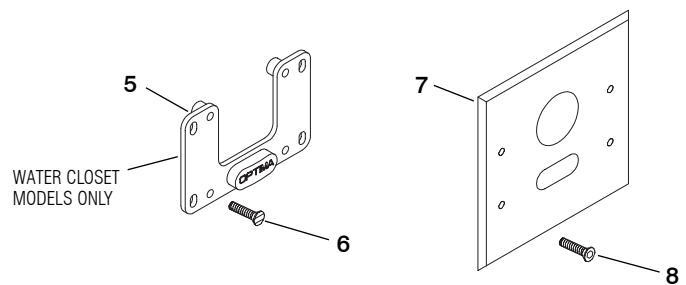
PARTS LIST



EL-485-A and EL-518-A Flushometer Electrical Box Positioning and Support Kit

Item No.	Part No.	Description
1	EL-486	Electrical Box Positioning Plate
2	EL-487	Mounting Rails (2 supplied)
3	EL-488	Water Supply Pipe Support
4	EL-489	Fasteners (5 supplied)
5 †	EL-511	Adapter (for water closet models only)
6 †	EL-177	Fasteners (4 supplied)
7 †	EL-151	Wall Plate
8 †	EL-152	Fasteners (4 supplied)

† These items are not included with an EL-518-A Positioning and Support Kit (for urinal installations only).



NOTICE:

The information contained in this document is subject to change without notice.