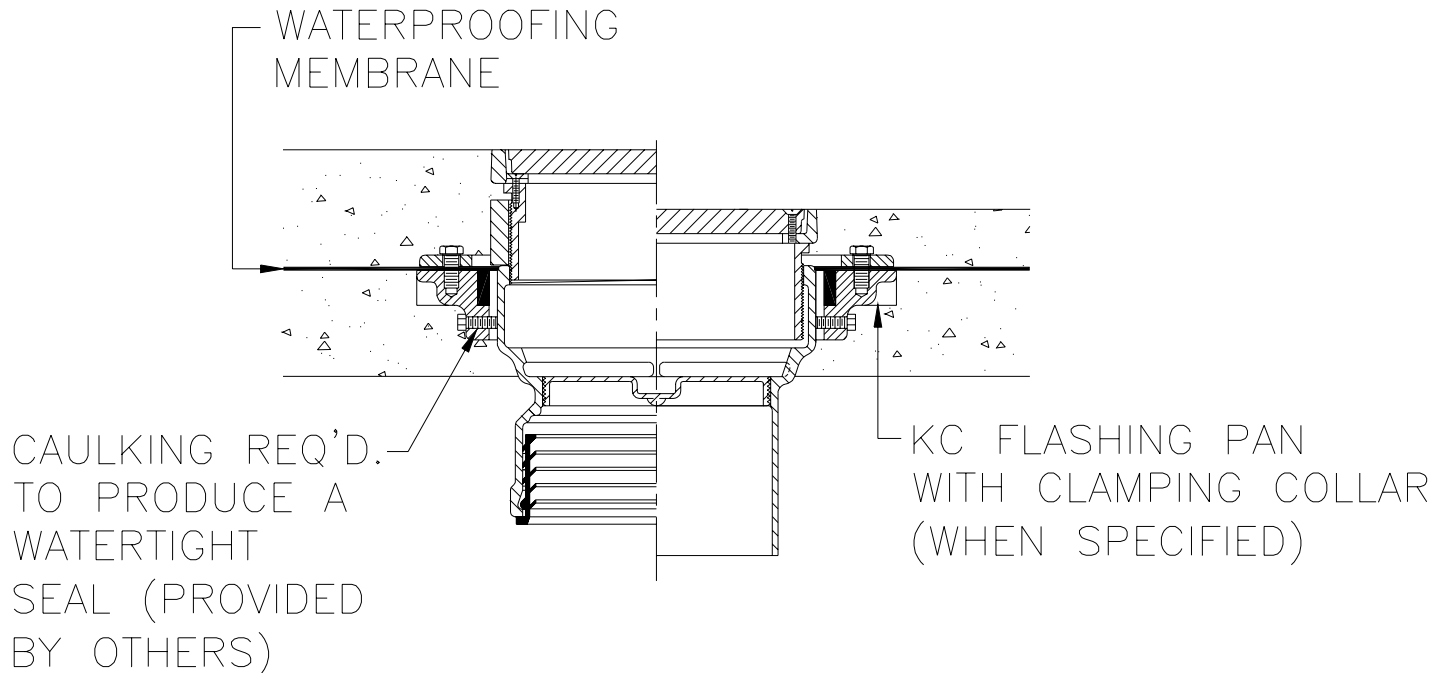




TYPICAL INSTALLATION
Z-1400-KC
"LEVEL-TROL" FLOOR CLEANOUT

Dimensional Data (inches and [mm]) are Subject to Manufacturing Tolerances and Change Without Notice



Z-1400-KC
"LEVEL-TROL" FLOOR CLEANOUT- Adjustable

Heavy-duty cast iron cleanout is easily installed in any type floor. The cleanout head allows 2 [51] of adjustment to meet finished floor conditions. Cleanout is supplied with a foam thread protector to keep threads clean prior to and during final concrete pour. Thread protector must then be removed and void filled with concrete to insure working load rating.

Form # CO3

Date: 8/16/99

C.N. No. 83198

Rev.

ZURN INDUSTRIES, INC. ♦ SPECIFICATION DRAINAGE OPERATION ♦ 1801 Pittsburgh Ave. ♦ Erie, PA 16514

Phone: 814/455-0921 ♦ Fax: 814/454-7929 ♦ World Wide Web: www.zurn.com

In Canada: ZURN INDUSTRIES LIMITED ♦ 3544 Nashua Drive ♦ Mississauga, Ontario L4V1L2 ♦ Phone: 905/405-8272 Fax: 905/405-1292