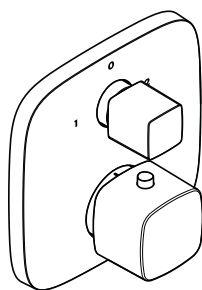
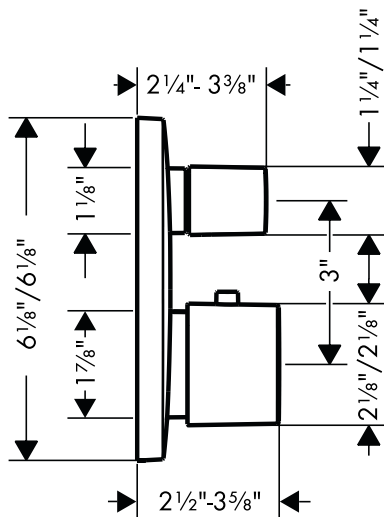


# Installation Instructions / Warranty



**PuraVida**  
15771XX1

**hansgrohe**



## Technical Information

Recommended water pressure	15 - 75 psi
Max. water pressure	147 psi
Recommended hot water temp.	120° - 140° F*
Max. hot water temp	180° F*
Thermostatic mixing cartridge with high temperature limit stop**	
Approx. flow rate @ 44 psi	8 gpm

\*Please know and follow all applicable local plumbing codes when setting the temperature on the water heater.

\*\*To prevent scald injury, the maximum output temperature of the shower valve must be no higher than 120°F. In Massachusetts, the maximum output temperature can be no higher than 112° F.

## Maintenance

- Inspect the check valves and filters at least once per year. Replace if dirty or worn.
- Should the volume of water decrease over time, inspect and clean the filters on the thermostatic cartridge. After reassembly, set the high temperature limit stop and justify the handle.
- To prolong the life of the themostatic cartridge, regularly run it through its full range of temperatures.

## Installation Considerations

- For best results, Hansgrohe recommends that this unit be installed by a licensed, professional plumber.
- Please read over these instructions thoroughly before beginning installation. Make sure that you have all tools and supplies needed to complete the installation.
- This trim kit is for use with Hansgrohe iBox Plus 01850181. The rough valve must be installed and the wall surface finished and made watertight before installation of this trim kit.
- Keep this booklet and the receipt for this product in a safe place. This booklet contains maintenance and warranty information. The receipt is required when requesting warranty parts.
- This valve is intended for use in a two-feature application. Do not attempt to use it in a single feature installation.

## Installation



**Turn the water off at the main (1).**

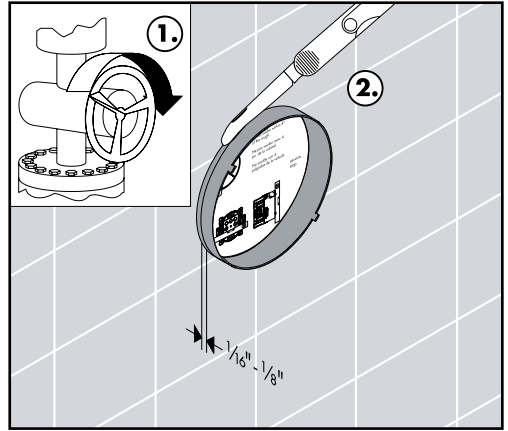
Cut the plaster shield so that it extends  $\frac{1}{16}$ " -  $\frac{1}{8}$ " from the finished wall surface (2).



**Seal the wall around the plaster shield with waterproof sealant.**



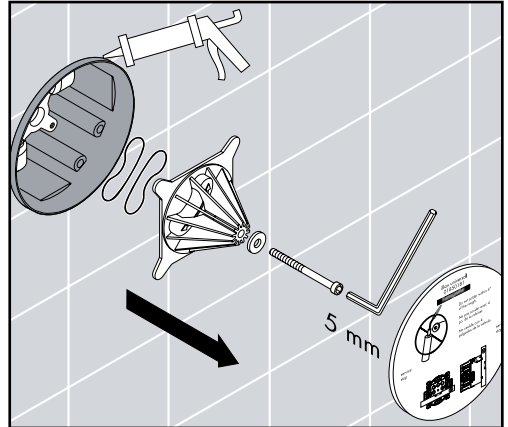
**Failure to seal the wall can lead to possible water damage.**



Remove the label.

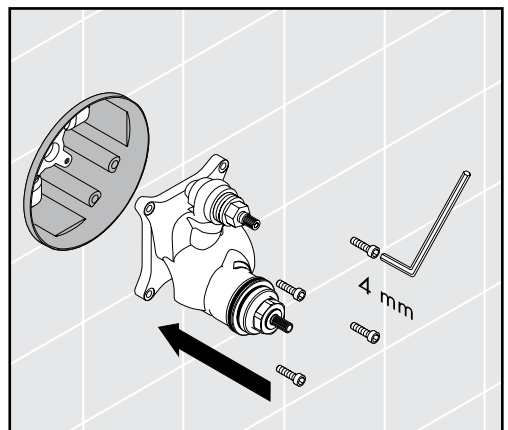
Remove the flush insert screw using a 5 mm Allen wrench.

Remove the flush insert and seal.



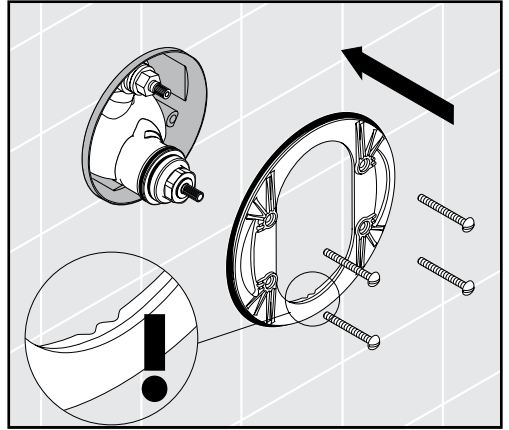
Insert the function block.

Install and tighten the function block screws using a 4 mm Allen wrench.



Install the carrier plate so that the notch is at the bottom.

Install the carrier plate screws.

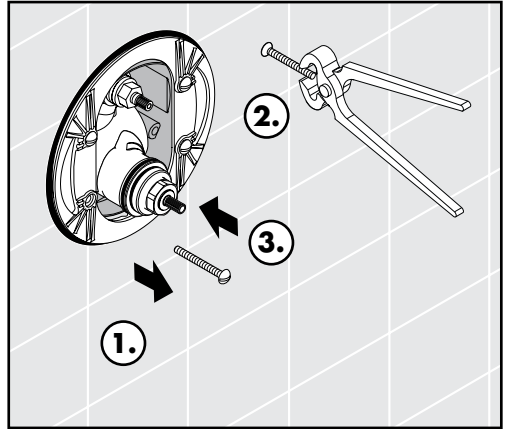


Inspect the screws.

If the screws are too long, remove them (1).

Shorten the screws (2).

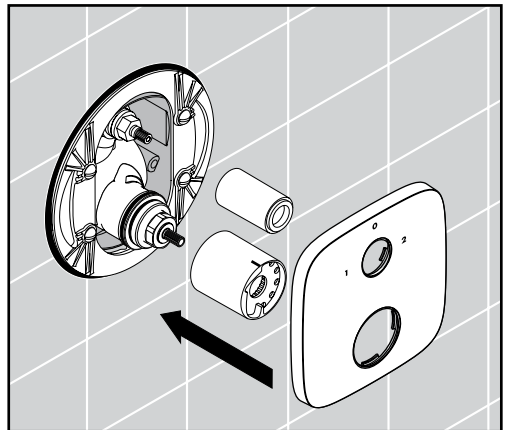
Reinstall the screws (3).



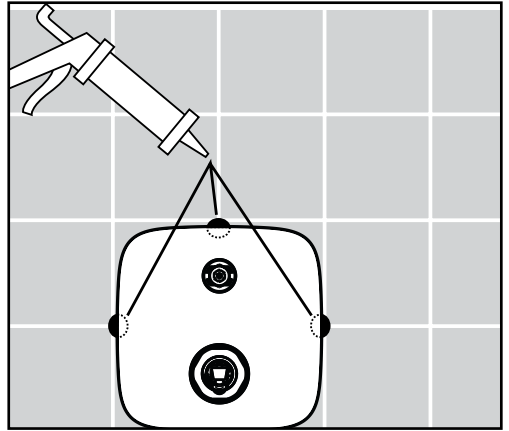
Install the escutcheon.

Install the thermostatic mixer sleeve so that the indexing mark is at the 12:00 position.

Install the volume control sleeve.



Place a dab of waterproof sealant at each grout joint.



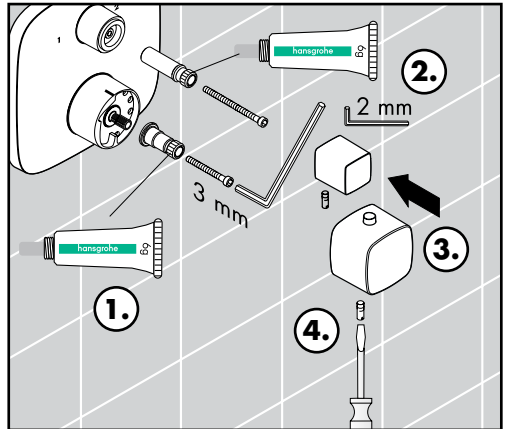
Lubricate the adapter stems with a small amount of the enclosed grease (1).

Install the handle adapters and screws. Tighten the screws using a 3 mm Allen wrench.

Install the volume control handle (2). Tighten the screw using a 2 mm Allen wrench.

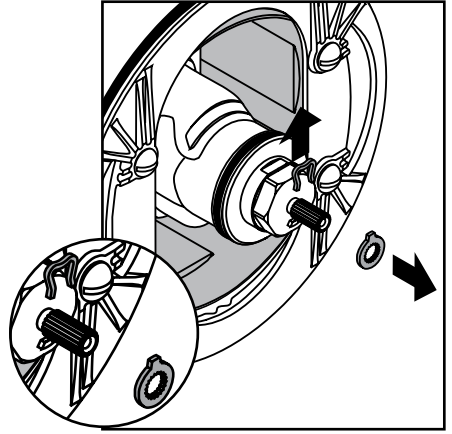
Install the thermostatic mixer handle so that the safety stop override button is at the 12:00 position (3).

Tighten the handle screw using a small flat bladed screwdriver (4).



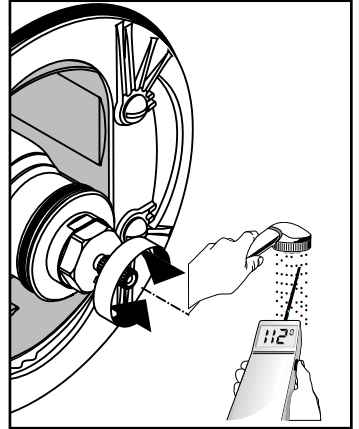
## Set the high temperature limit stop<sup>\*\*</sup>

Remove the clip and stop ring from the cartridge stem.



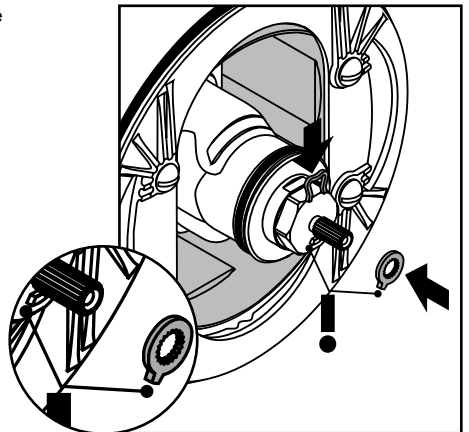
Turn the water on to one of the functions.

Turn the cartridge stem until the output water is the desired high temperature, usually 110° - 112° F<sup>\*\*</sup>.



Replace the stop ring so that the tooth is against the cartridge stop. Replace the clip.

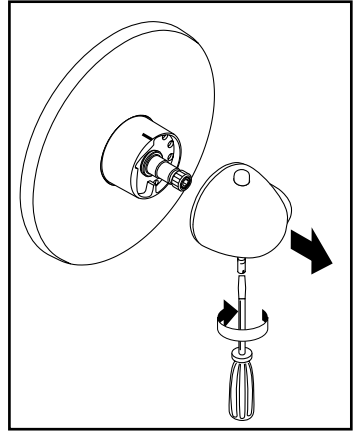
It should not be possible to turn the stem further counter-clockwise.



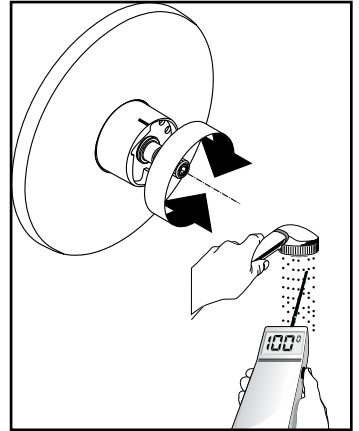
<sup>\*\*</sup> Follow all applicable local plumbing codes when setting the high temperature limit stop. To prevent scald injury, the maximum output temperature of the shower valve must be no higher than 120° F. In Massachusetts, the maximum output temperature can be no higher than 112° F.

## Justify the handle

Loosen the handle screw. Remove the handle.

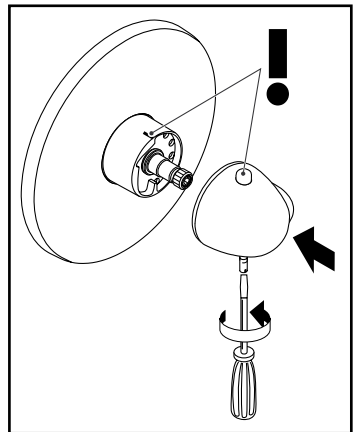


Turn the cartridge stem until the output water is 100° F.



Install the handle so that the override button is next to the sleeve indexing mark.

Tighten the handle screw.



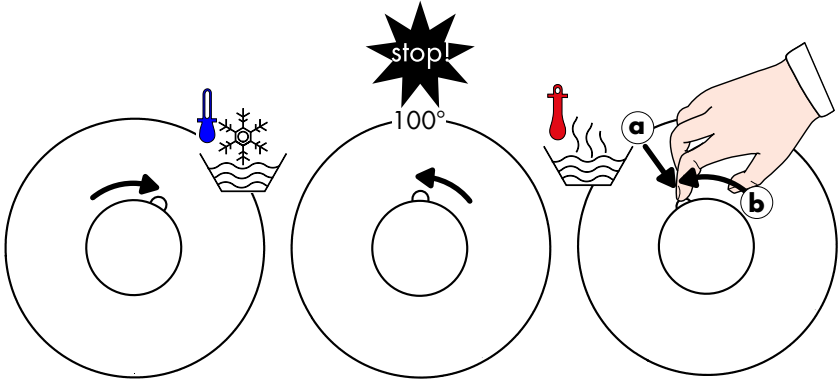
## User Instructions

Turn the handle clockwise to make the water cooler.

Turn the handle counter-clockwise to make the water warmer.

While making the water warmer, the handle will stop at the 100° safety stop.

To override the safety stop, press the override button (a) and continue turning the handle counter-clockwise (b).

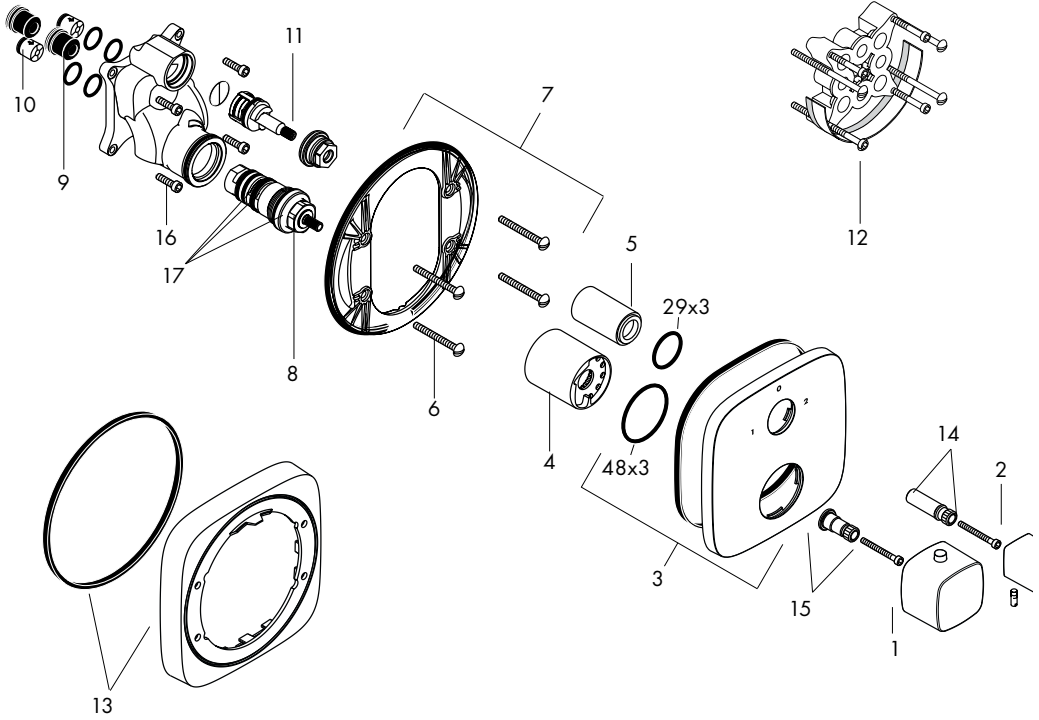


## Troubleshooting

Problem	Possible Cause	Solution
Insufficient water	Supply pressure inadequate	Check water pressure
	Cartridge filters dirty	Clean the filters
	Showerhead or handshower filter dirty	Clean the filter
Crossflow: hot water forced into cold water supply or vice versa when mixture is closed	Check valves dirty or worn	Clean check valves, replace if necessary
Output temperature does not correspond with temperature marked on handle	Handle not justified	Justify the handle
	Water heater set too low	Increase the hot water temperature
Safety stop button not operating	Button and/or spring are dirty or worn	Clean spring and button, replace if necessary
Handle hard to turn	Cartridge dirty or worn	Replace cartridge
Shower or spout dripping	Volume control / diverter cartridge dirty or worn	Clean or replace volume control / diverter cartridge
Temperature regulation not possible	(new installation) Hot and cold supplies are reversed	Turn the function block 180°
	Thermostatic cartridge dirty or worn	Replace the thermostatic cartridge



# Replacement Parts



1	PuraVida thermostatic mixer handle	11791XX0
2	PuraVida volume control handle	95356000
3	PuraVida escutcheon	95275000
4	sleeve	96439XX0
5	sleeve	96446XX0
6	fixing screw	96454000
7	carrier plate, 150 mm	98793000
8	thermostat cartridge	94282000
9	noise reducer	94073000
10	check valve	94074000
11	volume control / diverter cartridge	96509000
12	extension	13595000
13	PuraVida extension	15597000
14	handle adapter	96451000
15	handle adapter	96435000
16	screw	96525000
17	sealing set	95037000

XX = Colors

- 00 chrome
- 40 white/chrome

# Cleaning Recommendation for Hansgrohe Products

Modern lavatory faucets, kitchen faucets, and showers consist of very different materials to comply with the needs of the market with regard to design and functionality. To avoid damage and returns, it is necessary to consider certain criteria when cleaning.

## Cleaning Materials for Faucets and Showers

Acids are a necessary ingredient of cleaning materials for removing lime, however please pay attention to the following points when cleaning faucets and showers:

- Only use cleaning materials which are explicitly intended for this type of application.
- Never use cleaning materials which contain hydrochloric, formic, phosphoric, or acetic acid, as they cause considerable damage.
- Never mix one cleaning material with another.
- Never use cleaning materials or appliances with an abrasive effect, such as unsuitable cleaning powders, sponge pads, or micro fiber cloths.

## Cleaning Instructions for Faucets and Showers

Please follow the cleaning material manufacturer's instructions. In addition, pay attention to the following points:

- Clean the faucets and showers as and when required
- Use the amount of cleaning product and the amount of time recommended by the manufacturer. Do not leave the cleaner on the fixture longer than necessary.
- Regular cleaning can prevent calcification.
- When using spray cleaners, spray first onto a soft cloth or sponge. Never spray directly onto the faucet as droplets can enter openings and gaps and cause damage.
- After cleaning, rinse thoroughly with clean water to remove any cleaner residue.

## Important

Residues of liquid soaps, shampoos, and shower foams can also cause damage, so rinse with clean water after using.

**Please note:** if the surface is already damaged, the effect of cleaning materials will cause further damage.

**Components with damaged surfaces must be replaced or injury could result.**

**Damage caused by improper treatment is not covered under the warranty.**

# Limited Lifetime Consumer Warranty

This product has been manufactured and tested to the highest quality standards by Hansgrohe, Inc. ("Hansgrohe"). This warranty is limited to Hansgrohe products which are purchased by a consumer in the United States after March 1, 1996, and installed in either the United States or Canada.

## WHO IS COVERED BY THE WARRANTY

This warranty extends to the original consumer purchaser only. This warranty is non-transferable.

## WHAT IS COVERED BY THE WARRANTY

This warranty covers only your Hansgrohe manufactured product. Hansgrohe warrants this product against defects in material or workmanship as follows: Hansgrohe will repair at no charge for parts only or, at its option, replace any product or part of the product that proves defective because of improper workmanship and/or material, under normal installation, use, service and maintenance. If Hansgrohe is unable to provide a replacement and repair is not practical or cannot be timely made, Hansgrohe may elect to refund the purchase price in exchange for the return of the product.

## LENGTH OF WARRANTY

Replacement or repaired parts of products will be covered for the term of this warranty as stated in the following two sentences. If you are a consumer who purchased the product for use primarily for personal, family, or household purposes, this warranty extends for as long as you own the product and the home in which the product is originally installed. If you purchased the product for use primarily for any other purpose, including, without limitation, a commercial purpose, this warranty extends only (i) for 1 year, with respect to Hansgrohe and Commercial products, and (ii) for 5 years, with respect to AXOR products.

THIS WARRANTY DOES NOT COVER, AND HANSGROHE WILL NOT PAY FOR:

- A. Conditions, malfunctions or damage not resulting from defects in material or workmanship.
- B. Conditions, malfunctions or damage resulting from (1) normal wear and tear, improper installation, improper maintenance, misuse, abuse, negligence, accident or alteration, or (2) the use of abrasive or caustic cleaning agents or "no-rinse" cleaning products, or the use of the product in any manner contrary to the product instructions. (3) Conditions in the home such as excessive water pressure or corrosion.
- C. Labor or other expenses for the disconnection, deinstallation, or return of the product for warranty service, or for installation or reinstallation of the product (including but not limited to proper packaging and shipping costs), or for installation or reinstallation of the product.
- D. Accessories, connected materials and products, or related products not manufactured by Hansgrohe.

#### TO OBTAIN WARRANTY PARTS OR INFORMATION

Contact your Hansgrohe retailer, or contact Technical Service at:

Hansgrohe Inc.  
1492 Bluegrass Lakes Parkway  
Alpharetta GA 30004  
Toll-free (800) 334-0455.

In requesting warranty service, you will need to provide

1. The sales receipt or other evidence of the date and place of purchase.
2. A description of the problem.
3. Delivery of the product or the defective part, postage prepaid and carefully packed and insured, to Hansgrohe Inc. 1492 Bluegrass Lakes Parkway, Alpharetta, Georgia 30004, Attention: Technical Service, if required by Hansgrohe.

When warranty service is completed, any repaired or replacement product or part will be returned to you postage prepaid.

#### EXCLUSIONS AND LIMITATIONS

REPAIR OR REPLACEMENT (OR, IN LIMITED CIRCUMSTANCES, REFUND OF THE PURCHASE PRICE) AS PROVIDED UNDER THIS WARRANTY IS THE EXCLUSIVE REMEDY OF THE PURCHASER. HANSGROHE NEITHER ASSUMES NOR AUTHORIZES ANY PERSON TO CREATE FOR IT ANY OBLIGATION OR LIABILITY IN CONNECTION WITH THIS PRODUCT.

HANSGROHE SHALL NOT BE LIABLE TO PURCHASER OR ANY PERSON FOR ANY INCIDENTAL, SPECIAL, OR CONSEQUENTIAL DAMAGES, ARISING OUT OF BREACH OF THIS WARRANTY OR ANY IMPLIED WARRANTY (INCLUDING MERCHANTABILITY).

Some States do not allow the exclusion or limitation of incidental or consequential damages, so the above limitation or exclusion may not apply to you. This warranty gives you specific legal rights, and you may have other rights which vary from State to State. You may be required by law to give us a reasonable opportunity to correct or cure any failure to comply before you can bring any action in court against us under the Magnuson-Moss Warranty Act.

#### PRODUCT INSTRUCTIONS AND QUESTIONS

Upon purchase or prior to installation, please carefully inspect your Hansgrohe product for any damage or visible defect. Prior to installing, always carefully study the enclosed instructions on the proper installation and the care and maintenance of the product. If you have questions at any time about the use, installation, or performance of your Hansgrohe product, or this warranty, please call or write to us or call us toll-free at 800 334 0455.

**hansgrohe**

Hansgrohe, Inc. • 1490 Bluegrass Lakes Parkway • Alpharetta, GA 30004  
Tel. 770-360-9880 • Fax 770-360-9887

**[www.hansgrohe-usa.com](http://www.hansgrohe-usa.com)**