

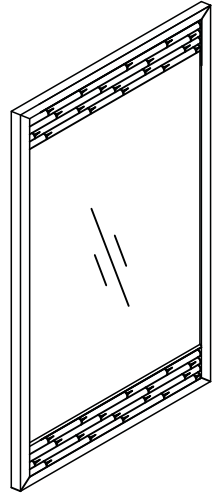
THANK YOU FOR CHOOSING XYLEM

Please take a few minutes to review this manual before you start installation. If you encounter any installation problems, please don't hesitate to contact us.

Before you begin, please observe all local building codes. Unpack the new product and inspect for damage.

The appearance of your vanity may differ from the illustrations in this guide. This instructions still apply.

Please ensure the finished wall is straight and plumb and the floor is flat and perpendicular to the finished wall.



SUGGESTED TOOLS AND MATERIALS



Philips Screwdriver



Level



Drill

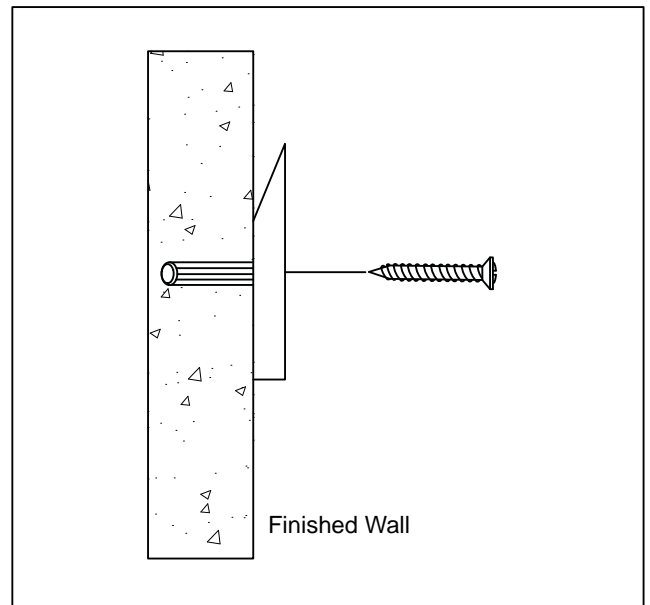
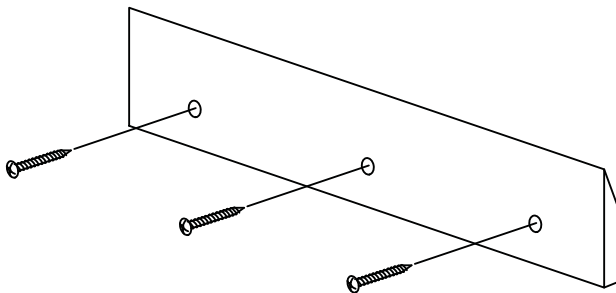


Tape Measure

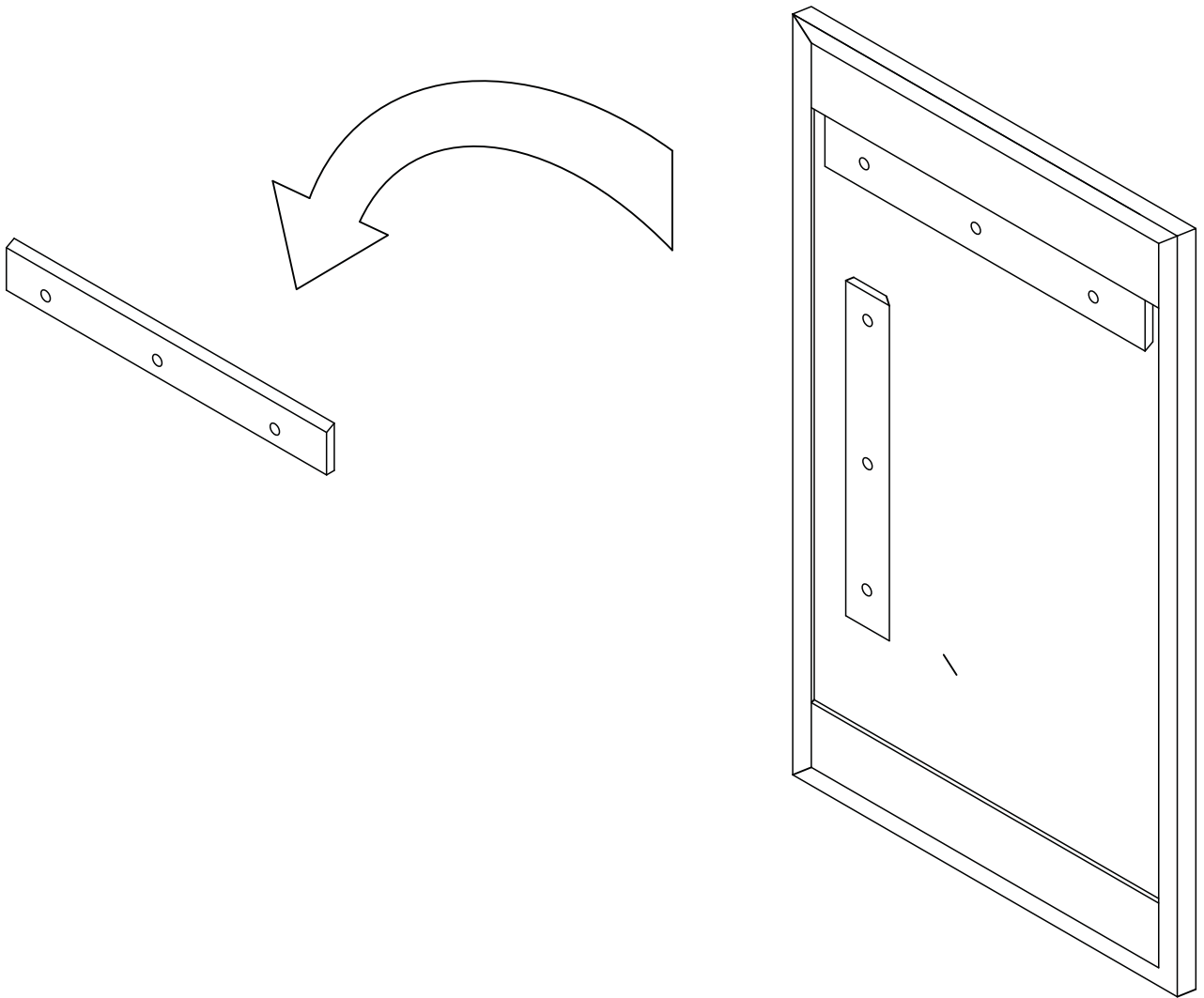


Safety Glasses

INSTALLATIONS INSTRUCTIONS



Mount the wall cleat onto the wall



CARE AND CLEANING

- Clean the product by using a soft, slightly damp cloth. Buff the product by using a soft dry cloth. When cleaning the mirror, spray the mirror with a glass cleaner and wipe clean. Avoid using silicone cleaners and waxes.