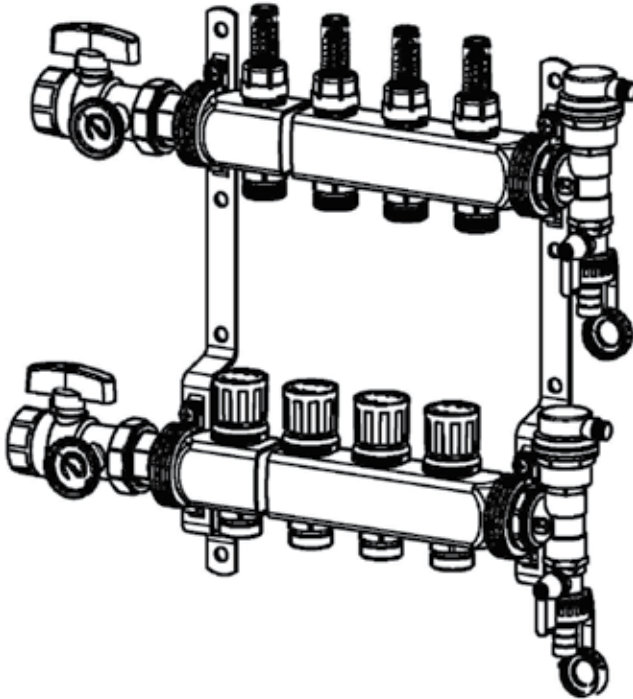
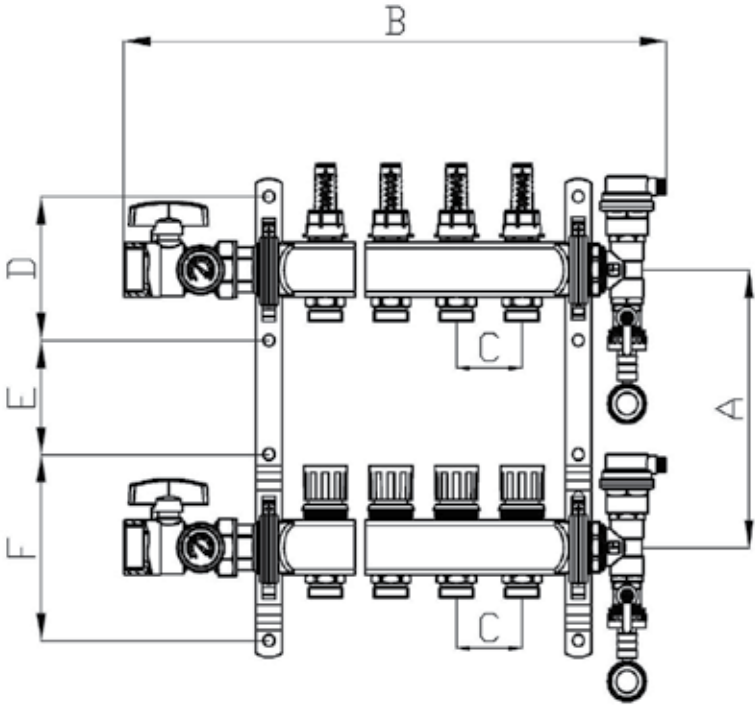




QHPM Stainless Steel Heating Manifold Operating Instructions



Specifications



Product Code	A	B	C	D	E	F
QHPM-2S	8" [203]	11.68" [296.5]	1.96" [50]	4.13" [105]	3.31" [84]	5.35" [136]
QHPM-3S	8" [203]	13.65" [346.5]	1.96" [50]	4.13" [105]	3.31" [84]	5.35" [136]
QHPM-4S	8" [203]	15.61" [396.5]	1.96" [50]	4.13" [105]	3.31" [84]	5.35" [136]
QHPM-5S	8" [203]	17.58" [446.5]	1.96" [50]	4.13" [105]	3.31" [84]	5.35" [136]
QHPM-6S	8" [203]	19.55" [496.5]	1.96" [50]	4.13" [105]	3.31" [84]	5.35" [136]
QHPM-7S	8" [203]	21.52" [546.5]	1.96" [50]	4.13" [105]	3.31" [84]	5.35" [136]
QHPM-8S	8" [203]	23.49" [596.5]	1.96" [50]	4.13" [105]	3.31" [84]	5.35" [136]
QHPM-9S	8" [203]	25.46" [646.5]	1.96" [50]	4.13" [105]	3.31" [84]	5.35" [136]
QHPM-10S	8" [203]	27.43" [696.5]	1.96" [50]	4.13" [105]	3.31" [84]	5.35" [136]
QHPM-11S	8" [203]	29.39" [746.5]	1.96" [50]	4.13" [105]	3.31" [84]	5.35" [136]
QHPM-12S	8" [203]	31.36" [796.5]	1.96" [50]	4.13" [105]	3.31" [84]	5.35" [136]

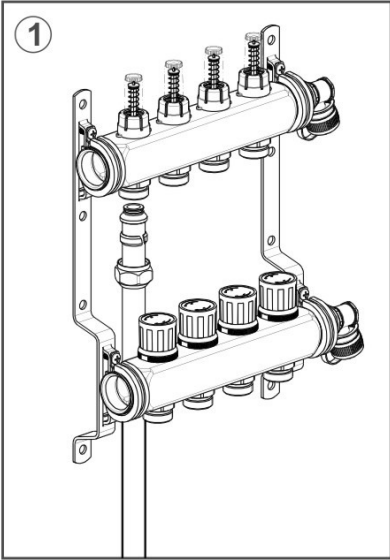
Specifications

Product Code	Size	Circuits	Connections
QHPM-2S	1" Inlet	2	3/4"
QHPM-3S	1" Inlet	3	3/4"
QHPM-4S	1" Inlet	4	3/4"
QHPM-5S	1" Inlet	5	3/4"
QHPM-6S	1" Inlet	6	3/4"
QHPM-7S	1" Inlet	7	3/4"
QHPM-8S	1" Inlet	8	3/4"
QHPM-9S	1" Inlet	9	3/4"
QHPM-10S	1" Inlet	10	3/4"
QHPM-11S	1" Inlet	11	3/4"
QHPM-12S	1" Inlet	12	3/4"

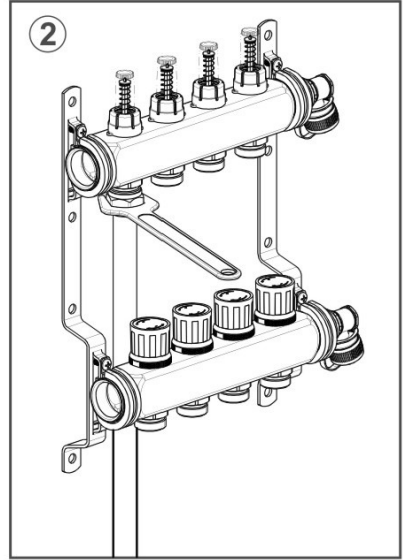
Technical Data

1. Standard: CJ/T 251-2007, GB/T1220-92
2. Material: Manifold Body: Type 304 Stainless Steel
Port Connection: Chrome Plated Brass
Seal: EPDM, Flow Meters: ABS, Nylon, PC, Stainless
3. Technical data:
 - Applicable medium: hot and cold water, mixture of water and Propylene Glycol
 - Maximum pressure: 145 psi [1.0 MPa]
 - Applicable temperature range: 32-185°F [0-85°C]
 - Maximum temperature: 194°F [90°C]
 - Flow adjustment range: 0-1.32 gpm [0-5 lpm]
 - Main inlet/outlet size: 1", Sub inlet/outlet size: 3/4"
4. Accessories: ball valves, drain valves, automatic air vents

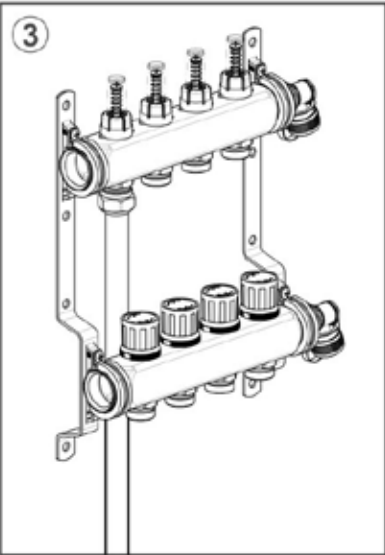
Connecting The Heating Circuits



Attach the tubing to the appropriate circuit and header.



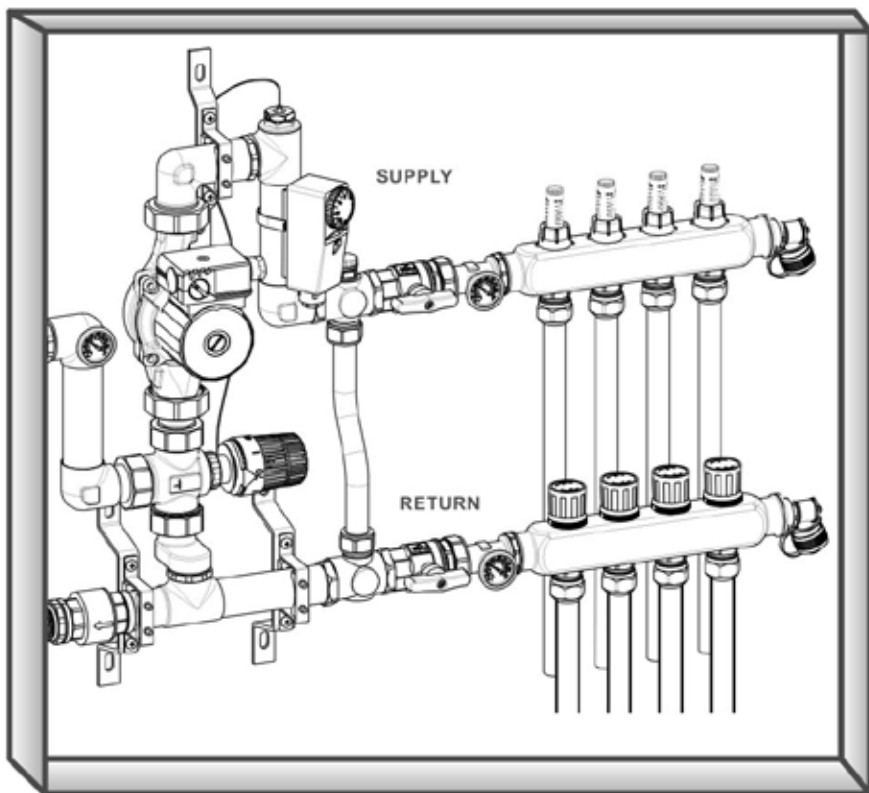
Using the spanner, tighten the compression nut.



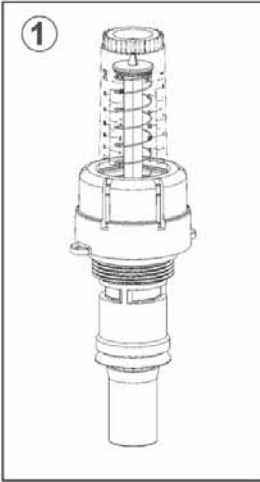
Repeat procedure for all remaining circuits.

Sample Configuration

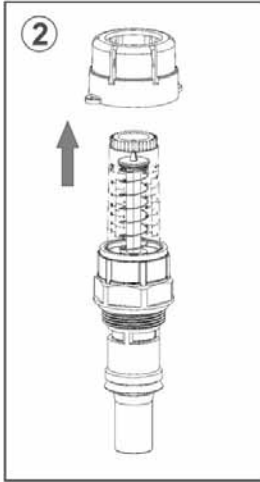
Typical manifold piping configuration example:



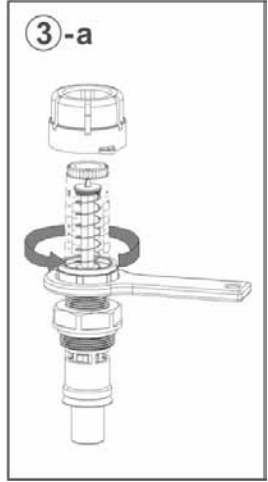
Flow Meter Adjustment And Operation



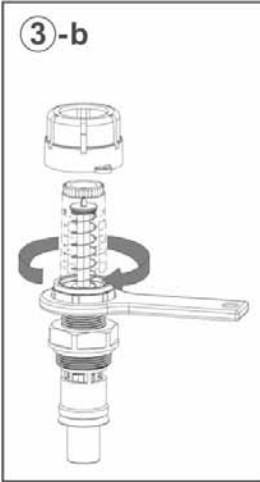
Flow meter before adjustment.



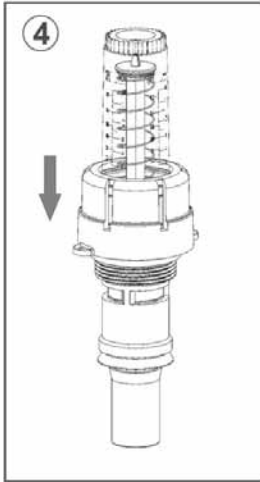
Remove the set ring.



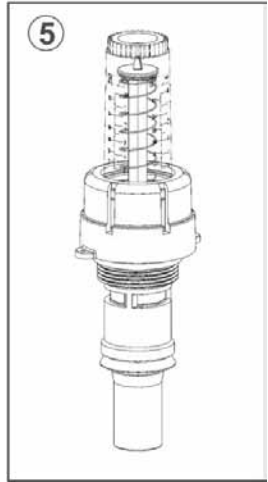
To increase flow, turn the flow meter counter clockwise.



To decrease flow, turn flow meter clockwise.



Reattach the set ring.



Repeat procedure for all remaining flow meters.



ZURN PEX[®], INC.

HIGHWAY 11 EAST COMMERCE, TX, USA 75428

PHONE: 855-ONE-ZURN (855-663-9876), FAX: 1-800-209-2148

In Canada: **ZURN INDUSTRIES LIMITED**

3544 NASHUA DRIVE, MISSISSAUGA, ONTARIO L4V 1L2

PHONE: 905-405-8272, FAX: 905-405-1292

www.zurn.com

Form No. ZMKTG370-65, Rev. 10/12