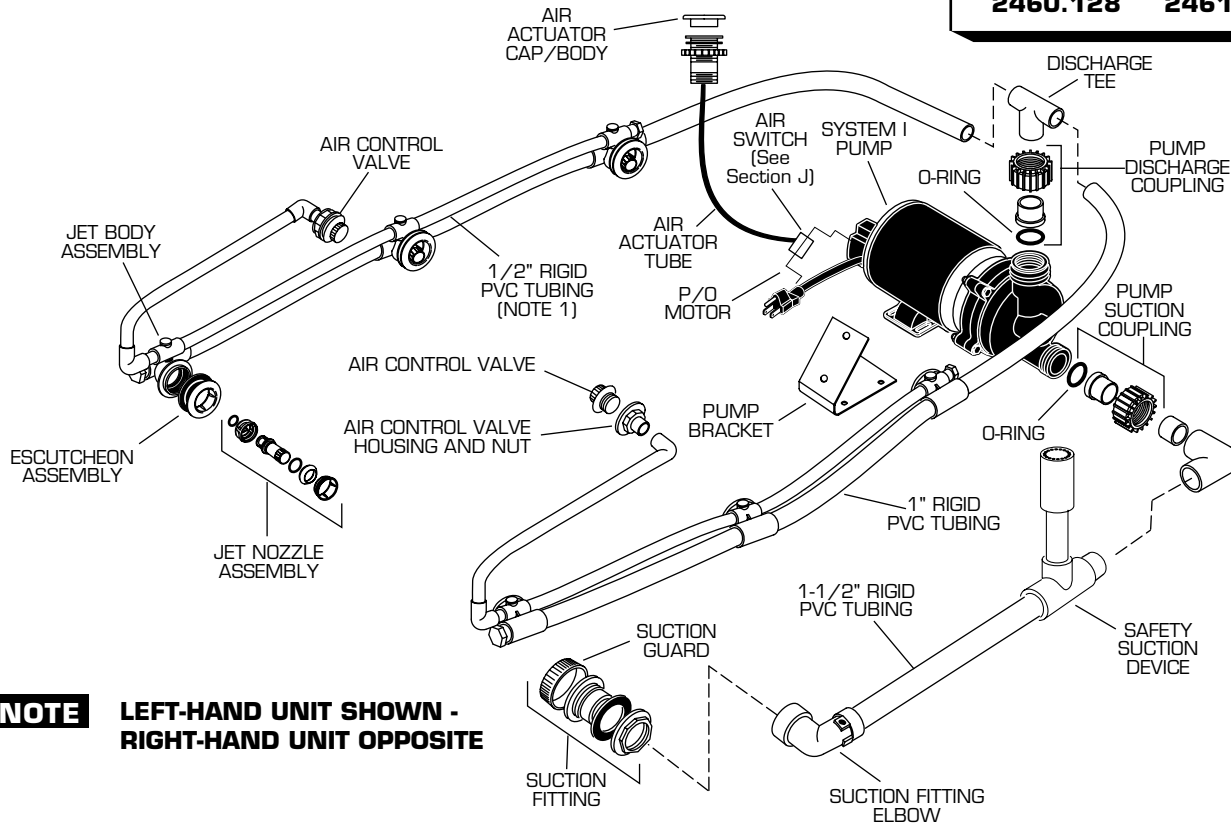


2460.028 2461.028
2460.128 2461.128



NOTE LEFT-HAND UNIT SHOWN - RIGHT-HAND UNIT OPPOSITE

DESCRIPTION	PART NUMBER	PKG QTY
Pump Suction Coupling	047186-0070A	1
O-Ring	047187-0070A	1
Pump Discharge Coupling	047186-0070A	1
★ Air Control Valve (Metal)	068916-YYYOA	1
★ Air Control Valve (Plastic) NOTE 1	751676-XXXOA	1
★ Air Control Valve Housing/Nut	068917-XXXOA	1
★ Jet Nozzle Assembly	047587-XXXOA	1
★ Escutcheon Assembly \triangle	047588-XXXOA	1
Jet Body Assembly \square	047589-0070A	1
★ Suction Guard	047463-XXXOA	1
★ Suction Fitting	047181-XXXOA	1
Suction Fitting Elbow	751186-0070A	1
Discharge Tee	047438-0070A	1
Pump w/Air Switch (1 HP)	752444-0070A	1
Air Switch	See Section J	1
Safety Suction Device	752399-0070A	1
★ Air Actuator Cap/Body	752439-XXXOA	1
Air Actuator Tubing	047602-0070A	3 FT.
Pump Bracket	047638-0070A	1

NOTE 1: Schedule 40 Rigid PVC Piping available through local plumbing supply outfits.

See Section "J" for Additional Parts and Accessories.

\triangle Removal/installation requires tool part no. 047530-0070A.

\square Removal/installation requires tool part no. 047605-0070A.

★ Replace XXX with Fixture Color Code, YYY with Trim Finish Code; see page VII