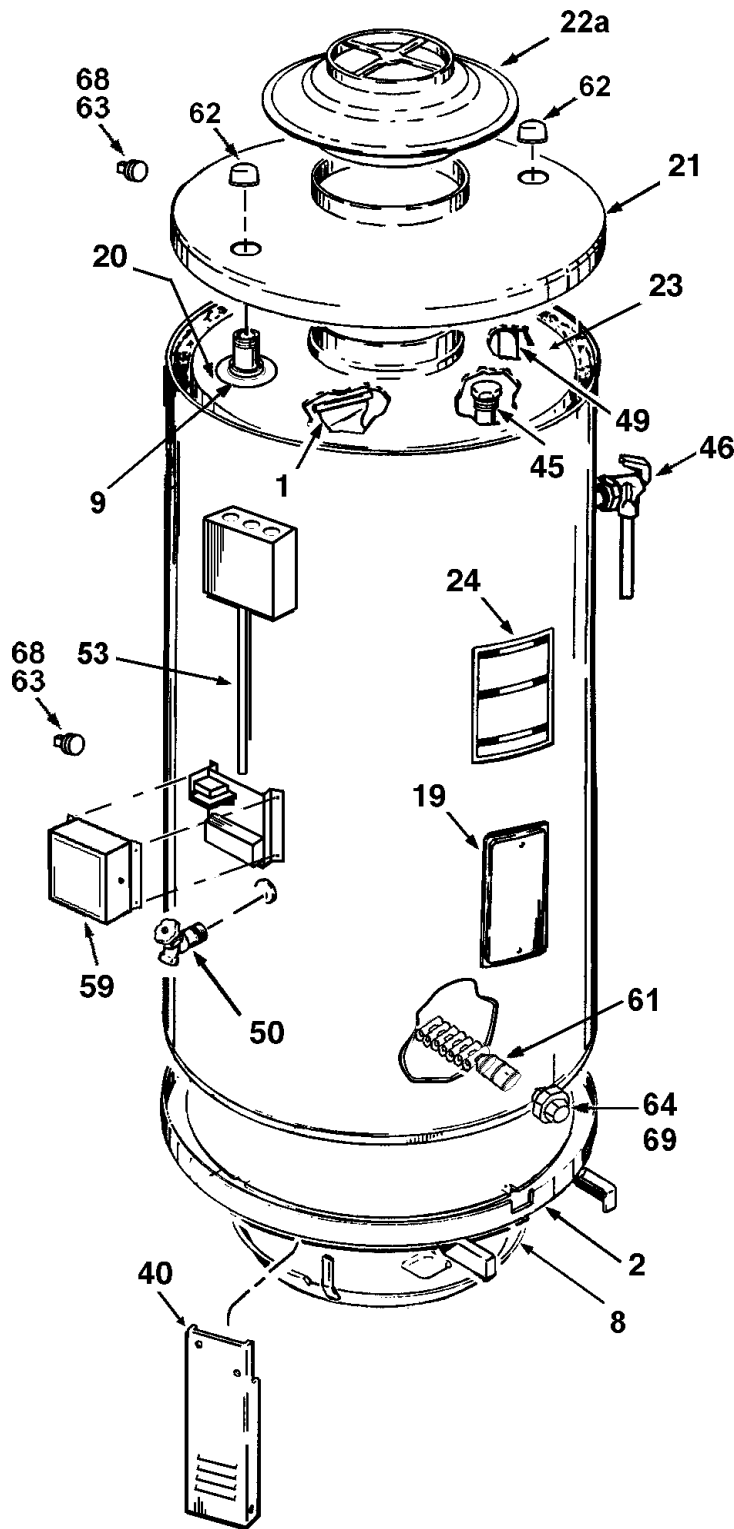
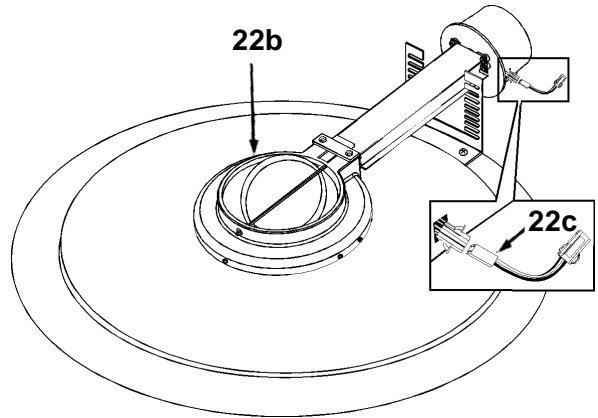


**COMMERCIAL TANK TYPE WATER HEATER
REPLACEMENT PARTS LIST
MODELS SBD71120NE THRU SBD85500NE:
STANDARD AND ASME (A)
SERIES 110/111**

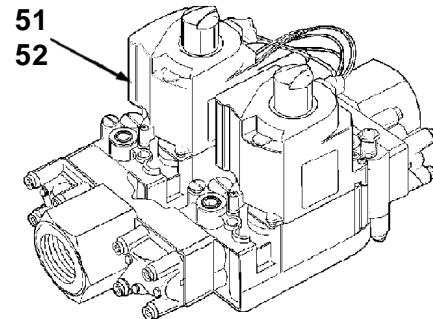


EFFIKAL DAMPER DRIVE ASSEMBLY

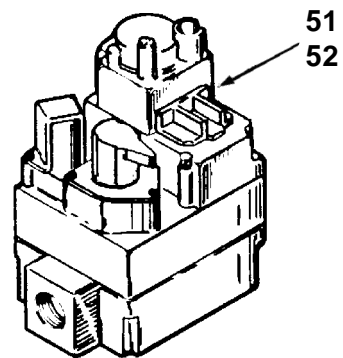


GAS VALVES

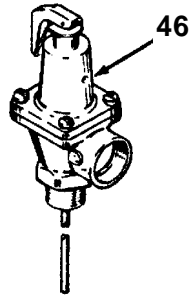
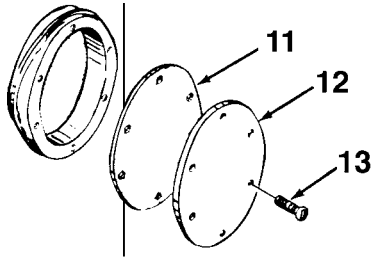
HONEYWELL VALVE SBD 500A



WHITE RODGERS VALVE SBD 120 - 400A



CLEANOUT ASSEMBLY



WIRE TERMINALS



78468

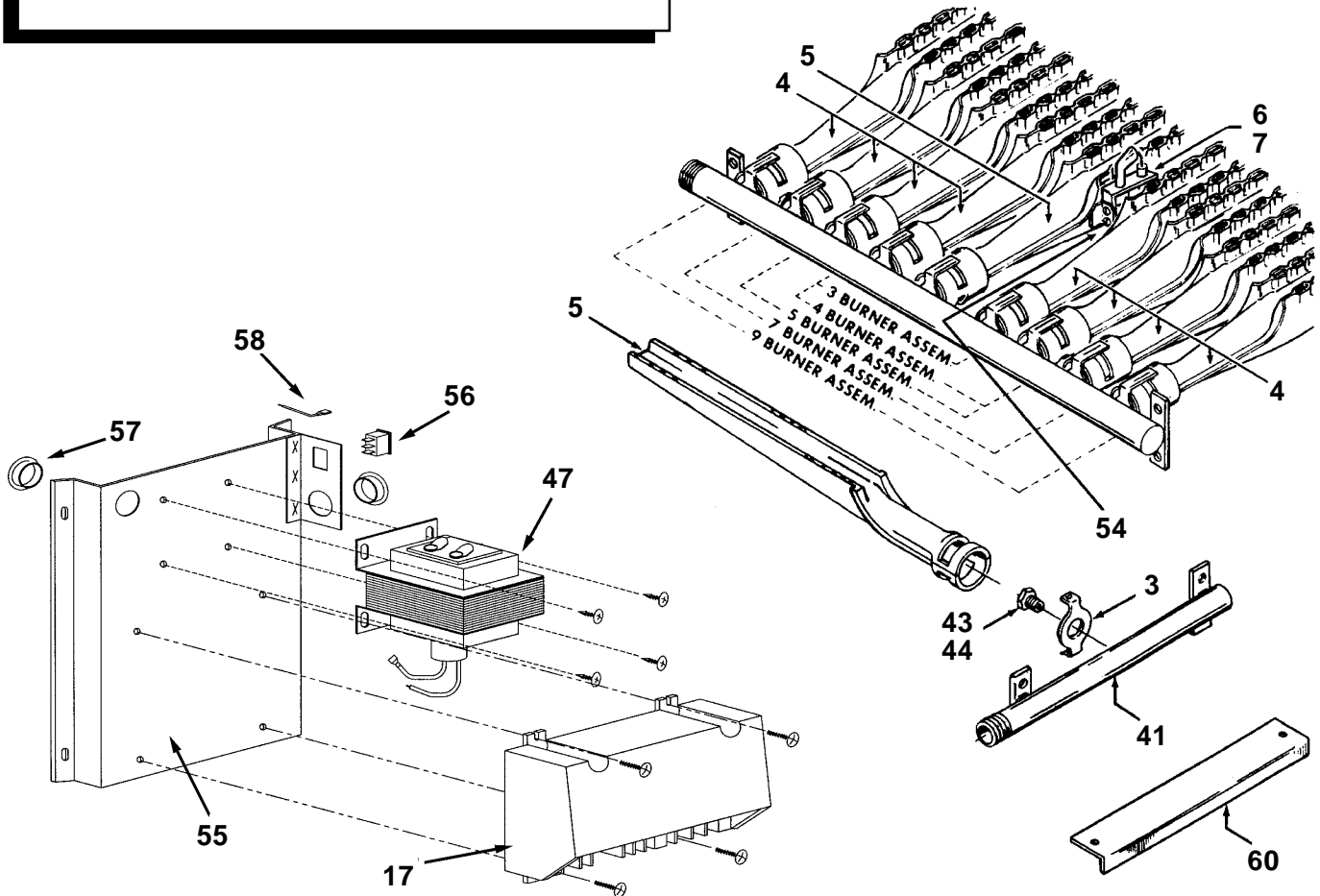
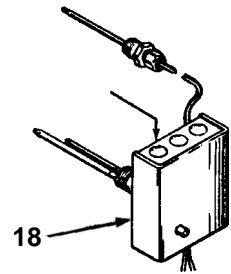
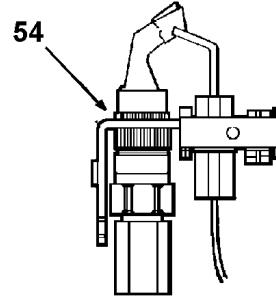
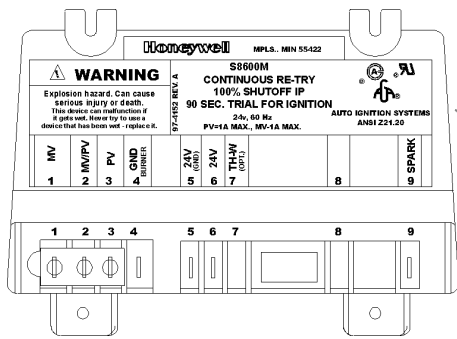


99593 (.250 X .032)



78469 (.250 X .032)
192834 (.187 X .032)

HONEYWELL CONTROL IGNITION MODULE



ITEM	PARTS DESCRIPTION	SBD71120NE	SBD81154NE	SBD81180NE	SBD100199NET	SBD100199NE
1	Flue Baffle	193595	192199-3	193795-1	193696	193696
2	Jacket Base	193862	193862	193819	193819	193819
3	Main Burner Orifice Bracket	98044(3)	98044(3)	98044(5)	98044(5)	98044(5)
4	Main Burner	98047	98047	98047	98047	98047
5	Main Burner w/Pilot Bracket	193873-1	193873-1	193873-1	193873-1	193873-1
6	Pilot Burner, Natural	193314-4	193314-4	193314-4	193314-4	193314-4
7	Pilot Burner, LP	193314-3	193314-3	193314-3	193314-3	193314-3
8	Floor Shield Assembly	193864	193864	193824	193824	193824
9	Collar	74060	74060	74060	74060	74060
CLEANOUT ASSEMBLY						
11	Gasket	99038	99038	99038	99038	99038
12	Pressure Plate	99037	99037	99037	99037	99037
13	Screws, Self Tapping	69852	69852	69852	69852	69852
17	Control, Ignition Module	193325	193325	193325	193325	193325
18	Control, Dual w/ECO	192828	192828	192828	192828	192828
19	Cover, Cleanout	181260	181260	181260	181260	181260
20	Cover, Inner	193393-1	193393-2	193608	193608	193608
21	Jacket Cover	97062-6	97062-6	97062-7	97062-7	97062-7
22a	Draht hood	193596	193596-1	191790	191790	191790
22b	Damper Drive Assembly	194484	194484	194484	194484	194484
22c	Harness Adapter	194459	194459	194459	194459	194459
23	Top Insulation	41560-56	41560-56	192867	192867	192867
LABELS						
24	L&O Label	193620	193620	193620	193620	193620
26	Cleanout	193914	193914	193914	193914	193914
27	Bilingual Instruction	193912	193912	193912	193912	193912
28	Ultra Coat	193860	193860	193860	193860	193860
29	ECO Instruction	193911	193911	193911	193911	193911
30	Flammable Vapors	183748	183748	183748	183748	183748
31	Help Line	190600	190600	190600	190600	190600
32	Instruction	170345	170345	170345	170345	170345
33	Sandblaster	195123	195123	195123	195123	195123
34	Pilot	193915	193915	193915	193915	193915
35	Propane	182572	182572	182572	182572	182572
36	Relief Valve	200042	200042	200042	200042	200042
37	Water Inlet	161040	161040	161040	161040	161040
38	Water Outlet	161040-1	161040-1	161040-1	161040-1	161040-1
39	Wiring Diagram	193621	193621	193621	193621	193621
40	Leg	193826	193826	193826	193826	193826
41	Manifold	76244	76244	76244-2	76244-2	76244-2
42	Instruction Manual	195121	195121	195121	195121	195121
43	Main Burner Orifice, Natural	76243-32	76243-30	76243-35	76243-32	76243-32
44	Main Burner Orifice, LP	76243-49	76243-46	76243-51	76243-49	76243-49
45	Anode Rod	43817-38	43817-38	43817-38	43817-42	43817-42
46	T&P Relief Valve	99465-7	99465-7	99465-7	99465-7	99465-7
47	Transformer	193444	193444	193444	193444	193444
48	Pilot Tubing	1417-60	1417-60	1417-60	1417-60	1417-60
49	Inlet Tube	193729	192626	193729	192626	192626
50	Drain Valve	26273-6	26273-6	26273-6	26273-6	26273-6
51	Gas Valve Natural	192827	192827	192827	192827	192827
52	Gas Valve LP	192827-1	192827-1	192827-1	192827-1	192827-1
53	Wire Conduit	193456-1	193456-1	193456-1	193456-1	193456-1
54	Ground Wire	77948-7	77948-7	77948-7	77948-7	77948-7
55	Switch Panel/Mounting Plate	193448	193448	193448	193448	193448
56	Off/On Switch	193243	193243	193243	193243	193243
57	Bushing	193404	193404	193404	193404	193404
58	Jumper Wire	193476	193476	193476	193476	193476
59	Control Box Panel	193447	193447	193447	193447	193447
60	Cover - Burner	98185	98185	98185-2	98185-2	98185-2
61	Hydro-Cannon	195100	195100	195098	195098	195098
62	(1 1/2") galvanized pipe cap	193940	193940	193940	193940	193940
63	(1 1/2") galvanized pipe plug	194623	194623	194623	194623	194623
64	(1 1/2") galvanized pipe union	194127	194127	194127	194127	194127
65	Instruction leg assembly	195124	195124	195124	195124	195124
66	label-evacuator orientation	195125	195125	195125	195125	195125
67	label-pressure rating plate	183758	183758	183758	183758	183758

ITEM	PARTS DESCRIPTION	SBD81190NE	SBD100199NES/A	SBD100250NE/A	SBD65251NE/A	SBD100275NE/A
1	Flue Baffle	193795-1	193889	193595	193595	193945
2	Jacket Base	193819	192095	192095	193919	192095
3	Main Burner Orifice Bracket	98044(5)	98044(5)	098044(5)	098044(7)	098044(5)
4	Main Burner	98047	98047	98047	98047	98047
5	Main Burner w/Pilot Bracket	193873-1	193873-1	193873-1	193873-1	193873-1
6	Pilot Burner, Natural	193314-4	193314-4	193314-4	193314-4	193314-4
7	Pilot Burner, LP	193314-3	193314-3	193314-3	193314-3	193314-3
8	Floor Shield Assembly	193824	170259-3	193943	193864-1	193943
9	Collar	74060	74060	74060	74060	74060
CLEANOUT ASSEMBLY						
11	Gasket	99038	99038	99038	99038	99038
12	Pressure Plate	99037	99037	99037	99037	99037
13	Screws, Self Tapping	69852	69852	69852	69852	69852
17	Control, Ignition Module	193325	193325	193325	193325	193325
18	Control, Dual w/ECO	192828	192828	192828	192828	192828
19	Cover, Cleanout	181260	181260	181260	181260	181260
20	Cover, Inner	193608	193392	193392	193391	193392
21	Jacket Cover	97062-7	170256	170256	97062	170256
22a	Draft Hood	191790	191790	193891	193891	193891
22b	Damper Drive Assembly	194484	194484	194485	194485	194485
22c	Harness Adapter	194459	194459	194459	194459	194459
23	Top Insulation	192867	192867	192867	41560-56	192867
LABELS						
24	L&O Label	193620	193620	193620	193620	193620
26	Cleanout	193914	193914	193914	193914	193914
27	Bilingual Instruction	193912	193912	193912	193912	193912
28	Ultra Coat	193860	193860	193860	193860	193860
29	ECO Instruction	193911	193911	193911	193911	193911
30	Flammable Vapors	183748	183748	183748	183748	183748
31	Help Line	190600	190600	190600	190600	190600
32	Instruction	170345	170345	170345	170345	170345
33	Sandblaster	195123	195123	195123	195123	195123
34	Pilot	193915	193915	193915	193915	193915
35	Propane	182572	182572	182572	182572	182572
36	Relief Valve	200042	200042	200042	200042	200042
37	Water Inlet	161040	161040	161040	161040	161040
38	Water Outlet	161040-1	161040-1	161040-1	161040-1	161040-1
39	Wiring Diagram	193621	193621	193621	193621	193621
40	Leg	193826	193826	193826	193826	193826
41	Manifold	76244-2	76244-2	76244-2	76244-3	76244-2
42	Instruction Manual	195121	195121	195121	195121	195121
43	Main Burner Orifice, Natural	76243-32	76243-32	76243-30	76243-33	76243-29
44	Main Burner Orifice, LP	76243-49	76243-48	76243-45	76243-51	76243-44
45	Anode Rod	43817-38	180618-42	180618-42	43817-38	180618-42
46	T&P Relief Valve	99465-7	99465-7	192467	192467	192467
47	Transformer	193444	193444	193444	193444	193444
48	Pilot Tubing	193729	1417-60	1417-60	1417-60	1417-60
49	Inlet Tube	193729	193729	192626	NA	192626
50	Drain Valve	26273-6	26273-6	26273-6	26273-6	26273-6
51	Gas Valve Natural	192827	192827	192827	192827	192827
52	Gas Valve LP	192827-1	192827-1	192827-1	192827-1	192827-1
53	Wire Conduit	193456-1	193456-1	193456-1	193456-1	193456-1
54	Ground Wire	193448	77948-7	77948-7	77948-7	77948-7
55	Switch Panel/Mounting Plate	193448	193448	193448	193448	193448
56	Off/On Switch	193243	193243	193243	193243	193243
57	Bushing	193404	193404	193404	193404	193404
58	Jumper Wire	193476	193476	193476	193476	193476
59	Control Box Panel	193447	193447	193447	193447	193447
60	Cover - Burner	98185-2	98185-2	98185-2	98185-3	98185-2
61	Hydro-Cannon	195100	195100	195098	195102	195098
62	(1 1/2") galvanized pipe cap	193940	193940	193940	NA	193940
63	(1 1/2") galvanized pipe plug	194623	NA	NA	194623	NA
64	(1 1/2") galvanized pipe union	194127	NA	NA	194127	NA
65	Instruction leg assembly	195124	195124	195124	195124	195124
66	label-evacuator orientation	195125	195125	195125	195125	195125
67	label-pressure rating plate	183758	183758	183758	183758	183758

ITEM	PARTS DESCRIPTION	SBD65305NE/A	SBD85365NE/A	SBD100399NE/A	SBD85500NE/A
1	Flue Baffle	193595	193696	193995	193995
2	Jacket Base	193919	193986	193999	193986
3	Main Burner Orifice Bracket	098044(7)	098044(9)	098044(9)	098044(9)
4	Main Burner	192322	98047	192322	192322
5	Main Burner w/Pilot Bracket	193873	193873-1	193873	193873
6	Pilot Burner, Natural	193314-4	193314-4	193314-4	193314-4
7	Pilot Burner, LP	193314-3	193314-3	193314-3	193314-3
8	Floor Shield Assembly	193864-1	193984	193997	193984
9	Collar	74060	74060	74060	74060
CLEANOUT ASSEMBLY					
11	Gasket	99038	99038	99038	99038
12	Pressure Plate	99037	99037	99037	99037
13	Screws, Self Tapping	69852	69852	69852	69852
17	Control, Ignition Module	193325	193325	193325	193325
18	Control, Dual w/ECO	192828	192828	192828	192828
19	Cover, Cleanout	181260	181260	181260	181260
20	Cover, Inner	193391	193608	193392	193608
21	Jacket Cover	97062	97062-7	170256	97062-7
22a	Drafthood	193891	193891	193891	193891
22b	Damper Drive Assembly	194485	194485	194485	194485
22c	Harness Adapter	194459	194459	194459	194459
23	Top Insulation	41560-56	192867	192867	192867
LABELS					
24	L&O Label	193620	193620	193620	194008
26	Cleanout	193914	193914	193914	193914
27	Bilingual Instruction	193912	193912	193912	193912
28	Ultra Coat	193860	193860	193860	193860
29	ECO Instruction	193911	193911	193911	193911
30	Flammable Vapors	183748	183748	183748	183748
31	Help Line	190600	190600	190600	190600
32	Instruction	170345	170345	170345	170345
33	Sandblaster	195123	195123	195123	195123
34	Pilot	193915	193915	193915	193915
35	Propane	182572	182572	182572	182572
36	Relief Valve	200042	200042	200042	200042
37	Water Inlet	161040-0	161040-0	161040-0	161040-0
38	Water Outlet	161040-1	161040-1	161040-1	161040-1
39	Wiring Diagram	193621	193621	193621	193621
40	Leg	193826	193826	193826	194093
41	Manifold	76244-3	76244-4	76244-4	76244-4
42	Instruction Manual	195121	195121	195121	195121
43	Main Burner Orifice, NAT	76243-37	76243-32	76243-31	76243-28
44	Main Burner Orifice, LP	76243-48	76243-49	76243-48	76243-44
45	Anode Rod	43817-38	180618-42	180618-42	180618-42
46	T&P Relief Valve	192467	192467	192467	192467
47	Transformer	193444	193444	193444	193444
48	Pilot Tubing	1417-60	1417-60	1417-60	1417-60
49	Inlet Tube	NA	192626	192626	192626
50	Drain Valve	26273-6	26273-6	26273-6	26273-6
51	Gas Valve Natural	192827-2	192827-2	192827-2	193366-0
52	Gas Valve LP	192827-3	192827-3	192827-3	193366-1
53	Wire Conduit	193456-1	193456-1	193456-1	193456-1
54	Ground Wire	77948-7	77948-7	77948-7	77948-7
55	Switch Panel/Mounting Plate	193448	193448	193448	193448
56	Off/On Switch	193243	193243	193243	193243
57	Bushing	193404	193404	193404	193404
58	Jumper Wire	193476	193476	193476	193476
59	Control Box Panel	193447	193447	193447	193447
60	Cover - Burner	98185-3	98185-4	98185-4	194111
61	Hydro-Cannon	195102	195098	195098	195098
62	(1 1/2") galvanized pipe cap	NA	193940	193940	NA
63	(1 1/2") galvanized pipe plug	194623-3	194623-3	NA	194623-3
64	(1 1/2") galvanized pipe union	194127	194127	NA	194127
65	Instruction leg assembly	195124	195124	195124	195124
66	label-evacuator orientation	195125	195125	195125	195125
67	label-pressure rating plate	183758	183758	183758	183758

ITEM	PARTS DESCRIPTION	CGA	CGA	CGA	CGA	CGA
		SBD71120NE	SBD81154NE	SBD75180NE	SBD95199NE	SBD75199NE
1	Flue Baffle	193595	192199-3	193795-0	193696	193795-0
2	Jacket Base	193862	193862	194166	194166	194166
3	Main Burner Orifice Bracket	98044(3)	98044(3)	98044(5)	98044(5)	98044(5)
4	Main Burner	98047	98047	98047	98047	98047
5	Main Burner w/Pilot Bracket	193873-1	193873-1	193873-1	193873-1	193873-1
6	Pilot Burner, Natural	193314-4	193314-4	193314-4	193314-4	193314-4
7	Pilot Burner, LP	193314-3	193314-3	193314-3	193314-3	193314-3
8	Floor Shield Assembly	193864	193864	194176	194176	194176
9	Collar	74060	74060	74060	74060	74060
CLEANOUT ASSEMBLY						
11	Gasket	99038	99038	99038	99038	99038
12	Pressure Plate	99037	99037	99037	99037	99037
13	Screws, Self Tapping	69852	69852	69852	69852	69852
17	Control, Ignition Module	193325	193325	193325	193325	193325
18	Control, Dual w/ECO	192828	192828	192828	192828	192828
19	Cover, Cleanout	181260	181260	181260	181260	181260
20	Cover, Inner	193393-1	193393-2	193608	193608	193608
21	Jacket Cover	97062-6	97062-6	97062-7	97062-7	97062-7
22a	Draffhood	193596	193596-1	193596-1	193596-1	193596-1
22b	Damper Drive Assembly	194484	194484	194484	194484	194484
22c	Harness Adapter	194459	194459	194459	194459	194459
23	Top Insulation	41560-56	41560-56	192867	192867	192867
LABELS						
24	L&O Label	193620	193620	193620	193620	193620
26	Cleanout	193914	193914	193914	193914	193914
27	Bilingual Instruction	193912	193912	193912	193912	193912
28	Ultra Coat	193860	193860	193860	193860	193860
29	ECO Instruction	193911	193911	193911	193911	193911
30	Flammable Vapors	183748	183748	183748	183748	183748
31	Help Line	194179	194179	194179	194179	194179
32	Instruction	194051	194051	194051	194051	194051
33	Sandblaster	195123	195123	195123	195123	195123
34	Pilot	193915	193915	193915	193915	193915
35	Propane	182572	182572	182572	182572	182572
36	Relief Valve	200042	200042	200042	200042	200042
37	Water Inlet	161040	161040	161040	161040	161040
38	Water Outlet	161040-1	161040-1	161040-1	161040-1	161040-1
39	Wiring Diagram	193621	193621	193621	193621	193621
40	Leg	193826	193826	193826	193826	193826
41	Manifold	76244-0	76244-0	76244-2	76244-2	76244-2
42	Instruction Manual	195121-1	195121-1	195121-1	195121-1	195121-1
43	Main Burner Orifice, Natural	76243-32	76243-30	76243-35	76243-32	76243-32
44	Main Burner Orifice, LP	76243-49	76243-46	76243-51	76243-49	76243-49
45	Anode Rod	43817-38	43817-38	43817-38	43817-42	43817-38
46	T&P Relief Valve	99465-7	99465-7	99465-7	99465-7	99465-7
47	Transformer	193444	193444	193444	193444	193444
48	Pilot Tubing	1417-60	1417-60	1417-60	1417-60	1417-60
49	Inlet Tube	193729	192626	193729	192626	193729
50	Drain Valve	26273-6	26273-6	26273-6	26273-6	26273-6
51	Gas Valve Natural	192827	192827	192827	192827	192827
52	Gas Valve LP	192827-1	192827-1	192827-1	192827-1	192827-1
53	Wire Conduit	193456-1	193456-1	193456-1	193456-1	193456-1
54	Ground Wire	77948-7	77948-7	77948-7	77948-7	77948-7
55	Switch Panel/Mounting Plate	193448	193448	193448	193448	193448
56	Off/On Switch	193243	193243	193243	193243	193243
57	Bushing	193404	193404	193404	193404	193404
58	Jumper Wire	193476	193476	193476	193476	193476
59	Control Box Panel	193447	193447	193447	193447	193447
60	Cover - Burner	98185	98185	98185-2	98185-2	98185-2
61	Hydro-Cannon	195100	195100	195098	195098	195098
62	(1 1/2") galvanized pipe cap	193940	193940	193940	193940	193940
63	(1 1/2") galvanized pipe plug	194623	194623	194623	194623	194623
64	(1 1/2") galvanized pipe union	194127	194127	194127	194127	194127
65	Instruction leg assembly	195124	195124	195124	195124	195124
66	label-evacuator orientation	195125	195125	195125	195125	195125
67	label-pressure rating plate	183758	183758	183758	183758	183758

ITEM	PARTS DESCRIPTION	CGA	CGA	CGA	CGA	CGA
		SBD100199NES/A	SBD100250NE/A	SBD65251NE/A	SBD100275NE/A	SBD65305NE/A
1	Flue Baffle	193889	193595	193595	193945	193595
2	Jacket Base	192095	192095	193919	192095	193919
3	Main Burner Orifice Bracket	98044(5)	98044(5)	98044(7)	98044(5)	98044(7)
4	Main Burner	98047	98047	98047	98047	192322
5	Main Burner w/Pilot Bracket	193873-1	193873-1	193873-1	193873-1	193873
6	Pilot Burner, Natural	193314-4	193314-4	193314-4	193314-4	193314-4
7	Pilot Burner, LP	193314-3	193314-3	193314-3	193314-3	193314-3
8	Floor Shield Assembly	170259-3	193943	193864-1	193943	193864-1
9	Collar	74060	74060	NA	74060	NA
CLEANOUT ASSEMBLY						
11	Gasket	99038	99038	99038	99038	99038
12	Pressure Plate	99037	99037	99037	99037	99037
13	Screws, Self Tapping	69852	69852	69852	69852	69852
17	Control, Ignition Module	193325	193325	193325	193325	193325
18	Control, Dual w/ECO	192828	192828	192828	192828	192828
19	Cover, Cleanout	181260	181260	181260	181260	181260
20	Cover, Inner	193392	193393-2	193608	193608	193608
21	Jacket Cover	170256	97062-6	97062-7	97062-7	97062-7
22a	Draft Hood	191790	193891	193891	193891	193891
22b	Damper Drive Assembly	194484	194485	194485	194485	194485
22c	Harness Adapter	194459	194459	194459	194459	194459
23	Top Insulation	192867	41560-56	192867	192867	192867
LABELS						
24	L&O Label	193620	193620	193620	193620	193620
26	Cleanout	193914	193914	193914	193914	193914
27	Bilingual Instruction	193912	193912	193912	193912	193912
28	Ultra Coat	193860	193860	193860	193860	193860
29	ECO Instruction	193911	193911	193911	193911	193911
30	Flammable Vapors	183748	183748	183748	183748	183748
31	Help Line	194179	194179	194179	194179	194179
32	Instruction	194051	194051	194051	194051	194051
33	Sandblaster	195123	195123	195123	195123	195123
34	Pilot	193915	193915	193915	193915	193915
35	Propane	182572	182572	182572	182572	182572
36	Relief Valve	200042	200042	200042	200042	200042
37	Water Inlet	161040	161040	161040	161040	161040
38	Water Outlet	161040-1	161040-1	161040-1	161040-1	161040-1
39	Wiring Diagram	193621	193621	193621	193621	193621
40	Leg	193826	193826	193826	193826	193826
41	Manifold	76244	76244	76244-2	76244-2	76244-2
42	Instruction Manual	195121-1	195121-1	195121-1	195121-1	195121-1
43	Main Burner Orifice, Natural	76243-32	76243-30	76243-35	76243-32	76243-32
44	Main Burner Orifice, LP	76243-48	76243-46	76243-51	76243-49	76243-49
45	Anode Rod	180618-42	43817-38	43817-38	43817-42	43817-38
46	T&P Relief Valve	199467-7	192467	192467	192467	192467
47	Transformer	193444	193444	193444	193444	193444
48	Pilot Tubing	1417-60	1417-60	1417-60	1417-60	1417-60
49	Inlet Tube	193729	192626	193729	192626	193729
50	Drain Valve	26273-6	26273-6	26273-6	26273-6	26273-6
51	Gas Valve Natural	192827	192827	192827	192827	192827
52	Gas Valve LP	192827-1	192827-1	192827-1	192827-1	192827-1
53	Wire Conduit	193456-1	193456-1	193456-1	193456-1	193456-1
54	Ground Wire	77948-7	77948-7	77948-7	77948-7	77948-7
55	Switch Panel/Mounting Plate	193448	193448	193448	193448	193448
56	Off/On Switch	193243	193243	193243	193243	193243
57	Bushing	193404	193404	193404	193404	193404
58	Jumper Wire	193476	193476	193476	193476	193476
59	Control Box Panel	193447	193447	193447	193447	193447
60	Cover - Burner	98185-2	98185-2	98185-2	98185-2	98185-2
61	Hydro-Cannon	195100	195198	195102	195098	195102
62	(1 1/2") galvanized pipe cap	193940	193940	NA	193940	NA
63	(1 1/2") galvanized pipe plug	NA	NA	194623-3	NA	194623-3
64	(1 1/2") galvanized pipe union	NA	NA	194127	NA	194127
65	Instruction leg assembly	195124	195124	195124	195124	195124
66	label-evacuator orientation	195125	195125	195125	195125	195125
67	label-pressure rating plate	183758	183758	183758	183758	183758

ITEM	PARTS DESCRIPTION	CGA	CGA	CGA
		SBD65365NE/A	SBD100399NE/A	SBD85500NE/A
1	Flue Baffle	193945	193995	193995
2	Jacket Base	194164	193999	193986
3	Main Burner Orifice Bracket	098044(9)	098044(9)	098044(9)
4	Main Burner	98047	192322	98047
5	Main Burner w/Pilot Bracket	193873-1	193873-1	193873-1
6	Pilot Burner, Natural	193314-4	193314-4	193314-4
7	Pilot Burner, LP	193314-3	193314-3	193314-3
8	Floor Shield Assembly	194176	193997	193984
9	Collar	74060	74060	74060
CLEANOUT ASSEMBLY				
11	Gasket	99038	99038	99038
12	Pressure Plate	99037	99037	99037
13	Screws, Self Tapping	69852	69852	69852
17	Control, Ignition Module	193325	193325	193325
18	Control, Dual w/ECO	192828	192828	192828
19	Cover, Cleanout	181260	181260	181260
20	Cover, Inner	193608	193392	193608
21	Jacket Cover	97062-7	170256	97062-7
22a	Drafthood	193891	193891	193891
22b	Damper Drive Assembly	194485	194485	194485
22c	Harness Adapter	194459	194459	194459
23	Top Insulation	192867	192867	192867
LABELS				
24	L&O Label	193620	193620	194008
26	Cleanout	193914	193914	193914
27	Bilingual Instruction	193912	193912	193912
28	Ultra Coat	193860	193860	193860
29	ECO Instruction	193911	193911	193911
30	Flammable Vapors	192872	192872	192872
31	Help Line	194179	194179	194179
32	Instruction	194051	194051	194051
33	Master Fit	193859	193859	193859
34	Pilot	193915	193915	193915
35	Propane	182572	182572	182572
36	Relief Valve	200042	200042	200042
37	Water Inlet	161040	161040	161040
38	Water Outlet	161040-1	161040-1	161040-1
39	Wiring Diagram	193621	193621	193621
40	Leg	193826	193826	194093
41	Manifold	76244-4	76244-4	76244-4
42	Instruction Manual	194027	194027	194027
43	Main Burner Orifice, Natural	76243-32	76243-31	76243-29
44	Main Burner Orifice, LP	76243-49	76243-48	76243-44
45	Anode Rod	180618-42	180618-42	180618-42
46	T&P Relief Valve	192467	192467	192467
47	Transformer	193444	193444	193444
48	Pilot Tubing	1417-60	1417-60	1417-60
49	Inlet Tube	192626	192626	192626
50	Drain Valve	26273-6	26273-6	26273-6
51	Gas Valve Natural	192827-2	192827-2	193366
52	Gas Valve LP	192827-3	192827-3	193366-1
53	Wire Conduit	193456-1	193456-1	193456-1
54	Ground Wire	77948-7	77948-7	77948-7
55	Switch Panel/Mounting Plate	193448	193448	193448
56	Off/On Switch	193243	193243	193243
57	Bushing	193404	193404	193404
58	Jumper Wire	193476	193476	193476
59	Control Box Panel	193447	193447	193447
60	Cover - Burner	98185-2	98185-2	98185-2
61	Hydro-Cannon	195102	105098	195098
62	(1 1/2") galvanized pipe cap	193940	193940	NA
63	(1 1/2") galvanized pipe plug	194623	NA	194623
64	(1 1/2") galvanized pipe union	194127	NA	194127
65	Instruction bag assembly	195124	195124	195124
66	Label-evacuator orientation	195125	195125	195125
67	Label-pressure rating plate	183858	183758	183758



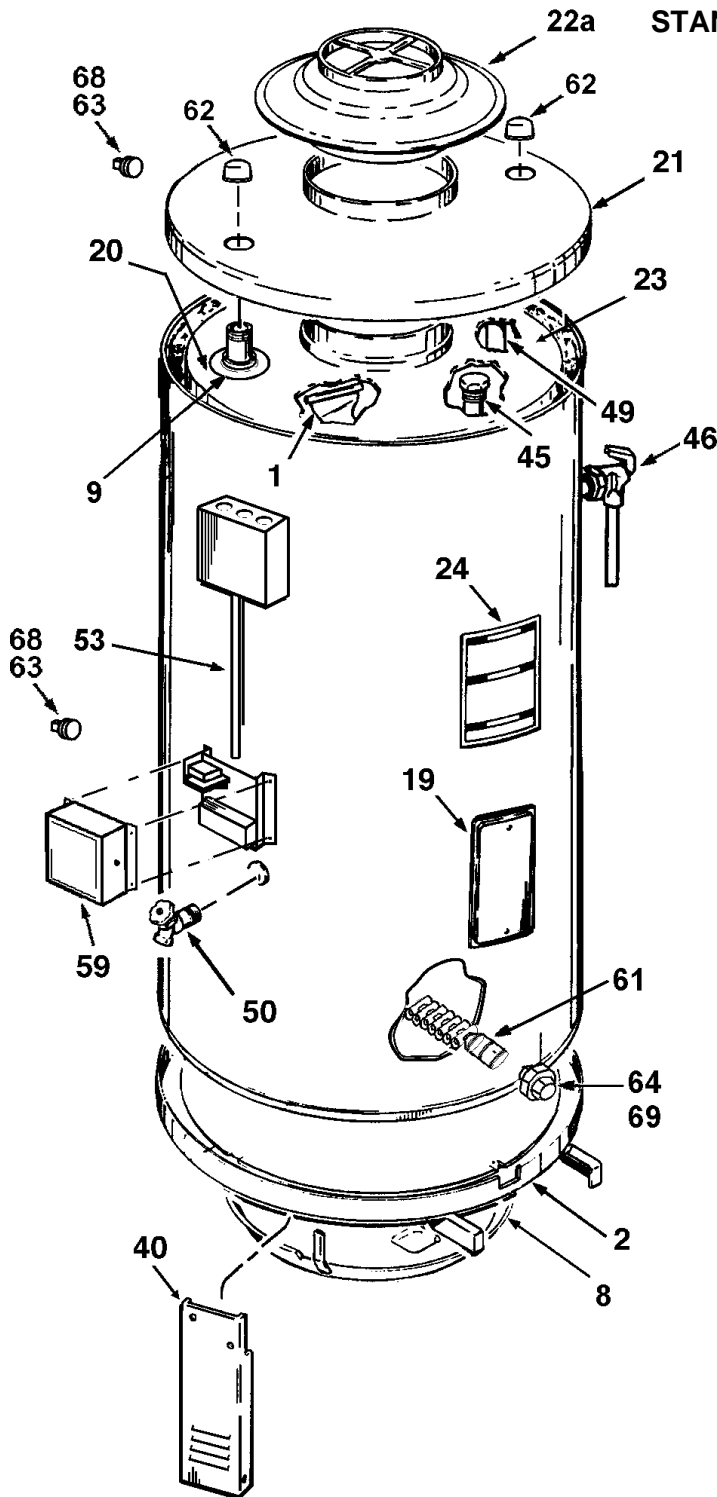
500 Lindahl Parkway, Ashland City, TN 37015
 Phone: 800-821-2017 Fax: 800-644-9306
www.statewaterheaters.com

CHAUFFE-EAU COMMERCIAUX

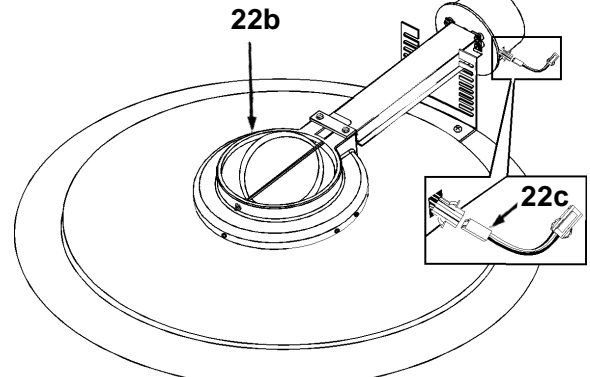
LISTE DE PIÈCES DE RECHANGE

MODÈLES : SBD71120 À SBD85500 (NE,PE)/A

STANDARDS ET CONFORMES AUX NORMES ASME

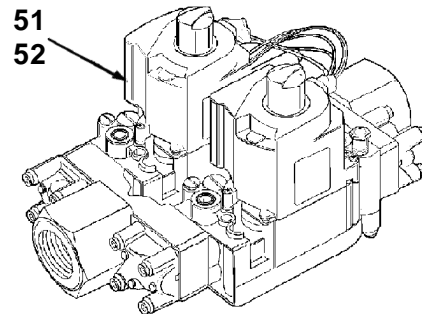


MÉCANISME D'ENTRAÎNEMENT DU REGISTRE EFFIKAL

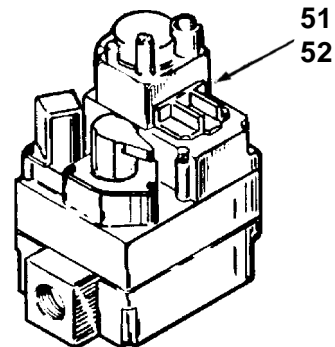


SOUPAPES DE GAZ

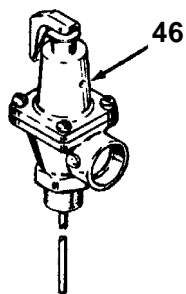
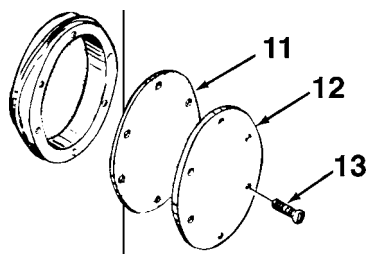
SOUPAPE HONEYWELL SBD85500 (NE,PE)/A



SOUPAPE WHITE RODGERS SBD71120-100400



ORIFICE DE NETTOYAGE

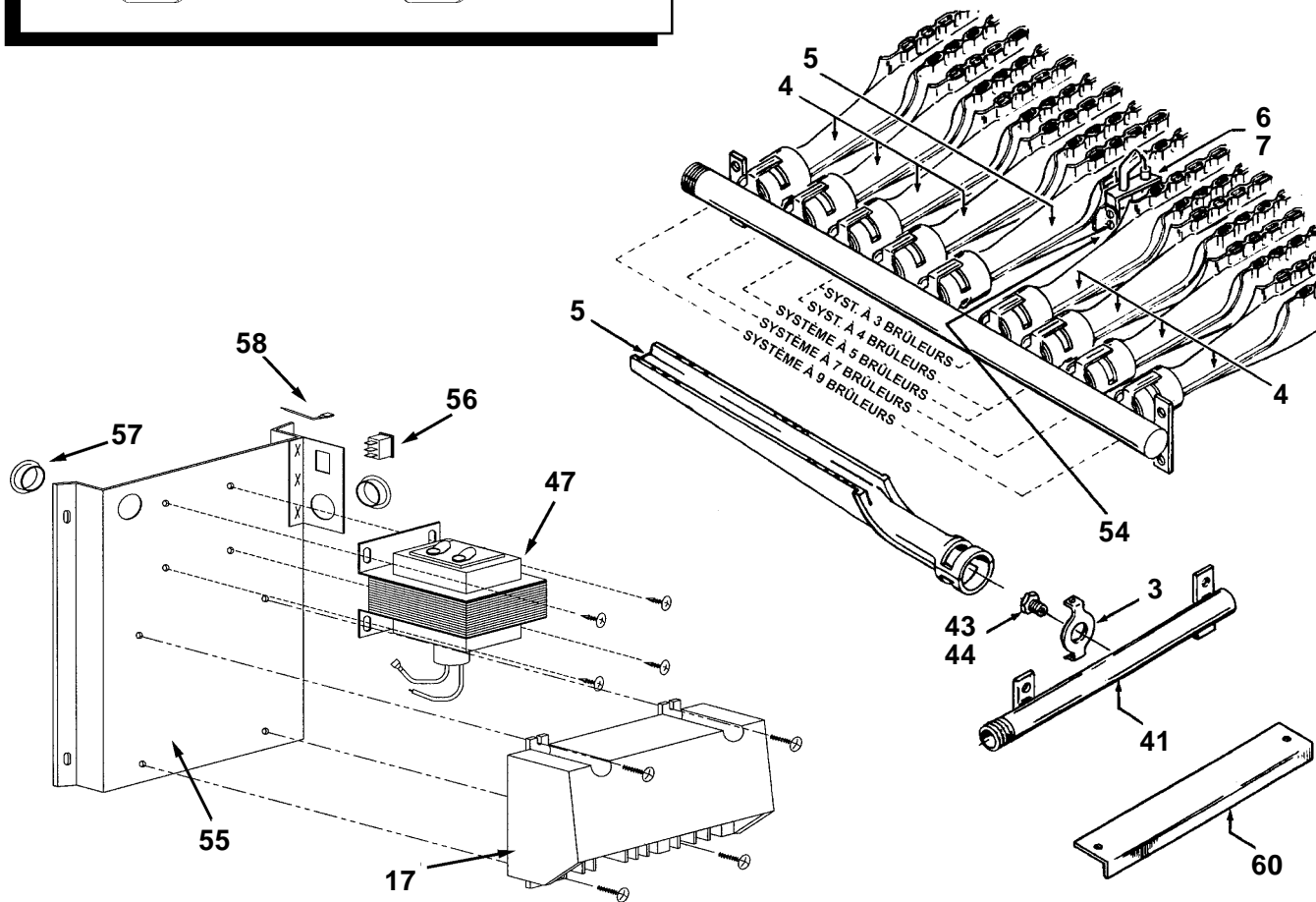
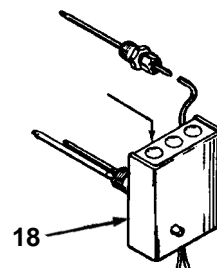
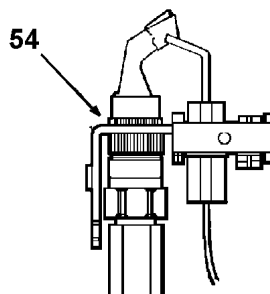
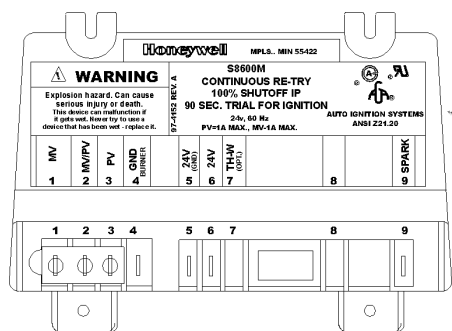


CONNECTEURS



78468 99593 (0,250 x 0,032) 78469 (0,250 x 0,032)
192834 (0,187 x 0,032)

PANNEAU DE CONTRÔLE D'ALLUMAGE HONEYWELL



ARTICLE	DESCRIPTION	SBD71120NE	SBD81154NE	SBD81180NE	SBD100199NET	SBD100199NE
1	Défecteur de gaz de combustion	193595	192199-3	193795-1	193696	193696
2	Base de la chemise	193862	193862	193819	193819	193819
3	Bride, orifice du brûleur principal	98044(3)	98044(3)	98044(5)	98044(5)	98044(5)
4	Brûleur principal	98047	98047	98047	98047	98047
5	Brûleur principal avec bride pour veilleuse	193873-1	193873-1	193873-1	193873-1	193873-1
6	Brûleur de la veilleuse, gaz naturel	193314-4	193314-4	193314-4	193314-4	193314-4
7	Brûleur de la veilleuse, pétrole liquéfié	193314-3	193314-3	193314-3	193314-3	193314-3
8	Écran d'isolation, plancher	193864	193864	193824	193824	193824
9	Collet	74060	74060	74060	74060	74060
ORIFICE DE NETTOYAGE						
11	Joint	99038	99038	99038	99038	99038
12	Plaque de pression	99037	99037	99037	99037	99037
13	Vis autotaraudeuses	69852	69852	69852	69852	69852
17	Module d'allumage – Instructions d'utilisation et identification des commandes	193325	193325	193325	193325	193325
18	Régulateur à deux capteurs, avec limiteur ECO	192828	192828	192828	192828	192828
19	Couvercle de l'orifice de nettoyage	181260	181260	181260	181260	181260
20	Couvercle interne	193393-1	193393-2	193608	193608	193608
21	Couvercle de la chemise	97062-6	97062-6	97062-7	97062-7	97062-7
22a	Hotte de tirage	193596	193596-1	191790	191790	191790
22b	Mécanisme d'entraînement du registre	194484	194484	194484	194484	194484
22c	Adapteur du faisceau de fils	194459	194459	194459	194459	194459
23	Revêtement isolant, panneau du haut	41560-56	41560-56	192867	192867	192867
ÉTIQUETTES						
24	Allumage et utilisation	193620	193620	193620	193620	193620
26	Orifice de nettoyage	193914	193914	193914	193914	193914
27	Instructions bilingues	193912	193912	193912	193912	193912
28	Ultra Coat	193860	193860	193860	193860	193860
29	Instructions – ECO	193911	193911	193911	193911	193911
30	Vapeurs inflammables	183748	183748	183748	183748	183748
31	Ligne d'aide	190600	190600	190600	190600	190600
32	Instructions	170345	170345	170345	170345	170345
33	« Sandblaster »	195123	195123	195123	195123	195123
34	Veilleuse	193915	193915	193915	193915	193915
35	Propane	182572	182572	182572	182572	182572
36	Soupape de détente	200042	200042	200042	200042	200042
37	Entrée d'eau	161040	161040	161040	161040	161040
38	Sortie d'eau	161040-1	161040-1	161040-1	161040-1	161040-1
39	Schéma de câblage	193621	193621	193621	193621	193621
40	Patte	193826	193826	193826	193826	193826
41	Collecteur	76244	76244	76244-2	76244-2	76244-2
42	Manuel d'instructions	195121	195121	195121	195121	195121
43	Orifice du brûleur principal, gaz naturel	76243-32	76243-30	76243-35	76243-32	76243-32
44	Orifice du brûleur principal, pétrole liquéfié	76243-49	76243-46	76243-51	76243-49	76243-49
45	Anode	43817-38	43817-38	43817-38	43817-42	43817-42
46	Soupape T&P	99465-7	99465-7	99465-7	99465-7	99465-7
47	Transformateur	193444	193444	193444	193444	193444
48	Tube de la veilleuse	1417-60	1417-60	1417-60	1417-60	1417-60
49	Tube d'entrée d'eau (immergé)	193729	192626	193729	192626	192626
50	Robinet de vidange	26273-6	26273-6	26273-6	26273-6	26273-6
51	Soupape de gaz, gaz naturel	192827	192827	192827	192827	192827
52	Soupape de gaz, pétrole liquéfié	192827-1	192827-1	192827-1	192827-1	192827-1
53	Conduit (fils du thermostat)	193456-1	193456-1	193456-1	193456-1	193456-1
54	Fil de mise à la terre	77948-7	77948-7	77948-7	77948-7	77948-7
55	Panneau d'interrupteurs/plaque de montage	193448	193448	193448	193448	193448
56	Interrupteur marche/arrêt	193243	193243	193243	193243	193243
57	Douille	193404	193404	193404	193404	193404
58	Étrier de connexion	193476	193476	193476	193476	193476
59	Capot – boîte de commande	193447	193447	193447	193447	193447
60	Couvercle, brûleur	98185	98185	98185-2	98185-2	98185-2
61	Canon à eau	195100	195100	195098	195098	195098
62	Capuchon pour tuyaux en acier galvanisé (1 1/2 po)	193940	193940	193940	193940	193940
63	Obtuteur pour tuyaux en acier galvanisé (1 1/2 po)	194623	194623	194623	194623	194623
64	Raccord pour tuyaux en acier galvanisé (1 1/2 po)	194127	194127	194127	194127	194127
65	Instructions, assemblage des pattes	195124	195124	195124	195124	195124
66	Étiquette – Orientation de l'évacuateur	195125	195125	195125	195125	195125
67	Étiquette – Pression nominale	183758	183758	183758	183758	183758

ARTICLE	DESCRIPTION	SBD81190NE	SBD100199NES/A	SBD100250NE/A	SBD65251NE/A	SBD100275NE/A
1	Défecteur de gaz de combustion	193795-1	193889	193595	193595	193945
2	Base de la chemise	193819	192095	192095	193919	192095
3	Bride, orifice du brûleur principal	98044(5)	98044(5)	098044(5)	098044(7)	098044(5)
4	Brûleur principal	98047	98047	98047	98047	98047
5	Brûleur principal avec bride pour veilleuse	193873-1	193873-1	193873-1	193873-1	193873-1
6	Brûleur de la veilleuse, gaz naturel	193314-4	193314-4	193314-4	193314-4	193314-4
7	Brûleur de la veilleuse, pétrole liquéfié	193314-3	193314-3	193314-3	193314-3	193314-3
8	Écran d'isolation, plancher	193824	170259-3	193943	193864-1	193943
9	Collet	74060	74060	74060	74060	74060
ORIFICE DE NETTOYAGE						
11	Joint	99038	99038	99038	99038	99038
12	Plaque de pression	99037	99037	99037	99037	99037
13	Vis autotaraudeuses	69852	69852	69852	69852	69852
17	Module d'allumage – Instructions d'utilisation et identification des commandes	193325	193325	193325	193325	193325
18	Régulateur à deux capteurs, avec limiteur ECO	192828	192828	192828	192828	192828
19	Couvercle de l'orifice de nettoyage	181260	181260	181260	181260	181260
20	Couvercle interne	193608	193392	193392	193391	193392
21	Couvercle de la chemise	97062-7	170256	170256	97062	170256
22a	Hotte de tirage	191790	191790	193891	193891	193891
22b	Mécanisme d'entraînement du registre	194484	194484	194484	194484	194484
22c	Adapteur du faisceau de fils	194459	194459	194459	194459	194459
23	Revêtement isolant, panneau du haut	192867	192867	192867	41560-56	192867
ÉTIQUETTES						
24	Allumage et utilisation	193620	193620	193620	193620	193620
26	Orifice de nettoyage	193914	193914	193914	193914	193914
27	Instructions bilingues	193912	193912	193912	193912	193912
28	Ultra Coat	193860	193860	193860	193860	193860
29	Instructions – ECO	193911	193911	193911	193911	193911
30	Vapeurs inflammables	183748	183748	183748	183748	183748
31	Ligne d'aide	190600	190600	190600	190600	190600
32	Instructions	170345	170345	170345	170345	170345
33	« Sandblaster »	195123	195123	195123	195123	195123
34	Veilleuse	193915	193915	193915	193915	193915
35	Propane	182572	182572	182572	182572	182572
36	Soupape de détente	200042	200042	200042	200042	200042
37	Entrée d'eau	161040	161040	161040	161040	161040
38	Sortie d'eau	161040-1	161040-1	161040-1	161040-1	161040-1
39	Schéma de câblage	193621	193621	193621	193621	193621
40	Patte	193826	193826	193826	193826	193826
41	Collecteur	76244-2	76244-2	76244-2	76244-3	76244-2
42	Manuel d'instructions	195121	195121	195121	195121	195121
43	Orifice du brûleur principal, gaz naturel	76243-32	76243-32	76243-30	76243-33	76243-29
44	Orifice du brûleur principal, pétrole liquéfié	76243-49	76243-48	76243-45	76243-51	76243-44
45	Anode	43817-38	180618-42	180618-42	43817-38	180618-42
46	Soupape T&P	99465-7	99465-7	192467	192467	192467
47	Transformateur	193444	193444	193444	193444	193444
48	Tube de la veilleuse	193729	1417-60	1417-60	1417-60	1417-60
49	Tube d'entrée d'eau (immérgé)	193729	193729	192626	---	192626
50	Robinet de vidange	26273-6	26273-6	26273-6	26273-6	26273-6
51	Soupape de gaz, gaz naturel	192827	192827	192827	192827	192827
52	Soupape de gaz, pétrole liquéfié	192827-1	192827-1	192827-1	192827-1	192827-1
53	Conduit (fils du thermostat)	193456-1	193456-1	193456-1	193456-1	193456-1
54	Fil de mise à la terre	193448	77948-7	77948-7	77948-7	77948-7
55	Panneau d'interrupteurs/plaque de montage	193448	193448	193448	193448	193448
56	Interrupteur marche/arrêt	193243	193243	193243	193243	193243
57	Douille	193404	193404	193404	193404	193404
58	Étrier de connexion	193476	193476	193476	193476	193476
59	Capot – boîte de commande	193447	193447	193447	193447	193447
60	Couvercle, brûleur	98185-2	98185-2	98185-2	98185-3	98185-2
61	Canon à eau	195100	195100	195098	195102	195098
62	Capuchon pour tuyaux en acier galvanisé (1 1/2 po)	193940	193940	193940	---	193940
63	Obturbateur pour tuyaux en acier galvanisé (1 1/2 po)	194623	---	---	194623	---
64	Raccord pour tuyaux en acier galvanisé (1 1/2 po)	194127	---	---	194127	---
65	Instructions, assemblage des pattes	195124	195124	195124	195124	195124
66	Étiquette – Orientation de l'évacuateur	195125	195125	195125	195125	195125
67	Étiquette – Pression nominale	183758	183758	183758	183758	183758

ARTICLE	DESCRIPTION	SBD65305NE/A	SBD85365NE/A	SBD100400NE/A	SBD85500NE/A
1	Défecteur de gaz de combustion	193595	193696	193995	193995
2	Base de la chemise	193919	193986	193999	193986
3	Bride, orifice du brûleur principal	098044(7)	098044(9)	098044(9)	098044(9)
4	Brûleur principal	192322	98047	192322	192322
5	Brûleur principal avec bride pour veilleuse	193873	193873-1	193873	193873
6	Brûleur de la veilleuse, gaz naturel	193314-4	193314-4	193314-4	193314-4
7	Brûleur de la veilleuse, pétrole liquéfié	193314-3	193314-3	193314-3	193314-3
8	Écran d'isolation, plancher	193864-1	193984	193997	193984
9	Collet	74060	74060	74060	74060
ORIFICE DE NETTOYAGE					
11	Joint	99038	99038	99038	99038
12	Plaque de pression	99037	99037	99037	99037
13	Vis autotaraudeuses	69852	69852	69852	69852
17	Module d'allumage – Instructions d'utilisation et identification des commandes	193325	193325	193325	193325
18	Régulateur à deux capteurs, avec limiteur ECO	192828	192828	192828	192828
19	Couvercle de l'orifice de nettoyage	181260	181260	181260	181260
20	Couvercle interne	193391	193608	193392	193608
21	Couvercle de la chemise	97062	97062-7	170256	97062-7
22a	Hotte de tirage	193891	193891	193891	193891
22b	Mécanisme d'entraînement du registre	194484	194484	194484	194484
22c	Adaptateur du faisceau de fils	194459	194459	194459	194459
23	Revêtement isolant, panneau du haut	41560-56	192867	192867	192867
ÉTIQUETTES					
24	Allumage et utilisation	193620	193620	193620	194008
26	Orifice de nettoyage	193914	193914	193914	193914
27	Instructions bilingues	193912	193912	193912	193912
28	Ultra Coat	193860	193860	193860	193860
29	Instructions – ECO	193911	193911	193911	193911
30	Vapeurs inflammables	183748	183748	183748	183748
31	Ligne d'aide	190600	190600	190600	190600
32	Instructions	170345	170345	170345	170345
33	« Sandblaster »	195123	195123	195123	195123
34	Veilleuse	193915	193915	193915	193915
35	Propane	182572	182572	182572	182572
36	Soupape de détente	200042	200042	200042	200042
37	Entrée d'eau	161040-0	161040-0	161040-0	161040-0
38	Sortie d'eau	161040-1	161040-1	161040-1	161040-1
39	Schéma de câblage	193621	193621	193621	193621
40	Patte	193826	193826	193826	194093
41	Collecteur	76244-3	76244-4	76244-4	76244-4
42	Manuel d'instructions	195121	195121	195121	195121
43	Orifice du brûleur principal, gaz naturel	76243-37	76243-32	76243-31	76243-28
44	Orifice du brûleur principal, pétrole liquéfié	76243-48	76243-49	76243-48	76243-44
45	Anode	43817-38	180618-42	180618-42	180618-42
46	Soupape T&P	192467	192467	192467	192467
47	Transformateur	193444	193444	193444	193444
48	Tube de la veilleuse	1417-60	1417-60	1417-60	1417-60
49	Tube d'entrée d'eau (immergé)	---	192626	192626	192626
50	Robinet de vidange	26273-6	26273-6	26273-6	26273-6
51	Soupape de gaz, gaz naturel	192827-2	192827-2	192827-2	193366-0
52	Soupape de gaz, pétrole liquéfié	192827-3	192827-3	192827-3	193366-1
53	Conduit (fils du thermostat)	193456-1	193456-1	193456-1	193456-1
54	Fil de mise à la terre	77948-7	77948-7	77948-7	77948-7
55	Panneau d'interrupteurs/plaque de montage	193448	193448	193448	193448
56	Interrupteur marche/arrêt	193243	193243	193243	193243
57	Douille	193404	193404	193404	193404
58	Étrier de connexion	193476	193476	193476	193476
59	Capot – boîte de commande	193447	193447	193447	193447
60	Couvercle, brûleur	98185-3	98185-4	98185-4	194111
61	Canon à eau	195102	195098	195098	195098
62	Capuchon pour tuyaux en acier galvanisé (1 1/2 po)	---	193940	193940	---
63	Obturateur pour tuyaux en acier galvanisé (1 1/2 po)	194623-3	194623-3	---	194623-3
64	Raccord pour tuyaux en acier galvanisé (1 1/2 po)	194127	194127	---	194127
65	Instructions, assemblage des pattes	195124	195124	195124	195124
66	Étiquette – Orientation de l'évacuateur	195125	195125	195125	195125
67	Étiquette – Pression nominale	183758	183758	183758	183758

ARTICLE	DESCRIPTION	CGA	CGA	CGA	CGA	CGA
		SBD71120NE	SBD81154NE	SBD76180NE	SBD85199NE	SBD76190NE
1	Défecteur de gaz de combustion	193595	192199-3	193795-0	193696	193795-0
2	Base de la chemise	193862	193862	194166	194166	194166
3	Bride, orifice du brûleur principal	98044(3)	98044(3)	98044(5)	98044(5)	98044(5)
4	Brûleur principal	98047	98047	98047	98047	98047
5	Brûleur principal avec bride pour veilleuse	193873-1	193873-1	193873-1	193873-1	193873-1
6	Brûleur de la veilleuse, gaz naturel	193314-4	193314-4	193314-4	193314-4	193314-4
7	Brûleur de la veilleuse, pétrole liquéfié	193314-3	193314-3	193314-3	193314-3	193314-3
8	Écran d'isolation, plancher	193864	193864	194176	194176	194176
9	Collet	74060	74060	74060	74060	74060
ORIFICE DE NETTOYAGE						
11	Joint	99038	99038	99038	99038	99038
12	Plaque de pression	99037	99037	99037	99037	99037
13	Vis autotaraudeuses	69852	69852	69852	69852	69852
17	Module d'allumage – Instructions d'utilisation et identification des commandes	193325	193325	193325	193325	193325
18	Régulateur à deux capteurs, avec limiteur ECO	192828	192828	192828	192828	192828
19	Couvercle de l'orifice de nettoyage	181260	181260	181260	181260	181260
20	Couvercle interne	193393-1	193393-2	193608	193608	193608
21	Couvercle de la chemise	97062-6	97062-6	97062-7	97062-7	97062-7
22a	Hotte de tirage	193596	193596-1	193596-1	193596-1	193596-1
22b	Mécanisme d'entraînement du registre	194484	194484	194484	194484	194484
22c	Adaptateur du faisceau de fils	194459	194459	194459	194459	194459
23	Revêtement isolant, panneau du haut	41560-56	41560-56	192867	192867	192867
ÉTIQUETTES						
24	Allumage et utilisation	193620	193620	193620	193620	193620
26	Orifice de nettoyage	193914	193914	193914	193914	193914
27	Instructions bilingues	193912	193912	193912	193912	193912
28	Ultra Coat	193860	193860	193860	193860	193860
29	Instructions – ECO	193911	193911	193911	193911	193911
30	Vapeurs inflammables	183748	183748	183748	183748	183748
31	Ligne d'aide	194179	194179	194179	194179	194179
32	Instructions	194051	194051	194051	194051	194051
33	« Sandblaster »	195123	195123	195123	195123	195123
34	Veilleuse	193915	193915	193915	193915	193915
35	Propane	182572	182572	182572	182572	182572
36	Soupape de détente	200042	200042	200042	200042	200042
37	Entrée d'eau	161040	161040	161040	161040	161040
38	Sortie d'eau	161040-1	161040-1	161040-1	161040-1	161040-1
39	Schéma de câblage	193621	193621	193621	193621	193621
40	Patte	193826	193826	193826	193826	193826
41	Collecteur	76244-0	76244-0	76244-2	76244-2	76244-2
42	Manuel d'instructions	195121-1	195121-1	195121-1	195121-1	195121-1
43	Orifice du brûleur principal, gaz naturel	76243-32	76243-30	76243-35	76243-32	76243-32
44	Orifice du brûleur principal, pétrole liquéfié	76243-49	76243-46	76243-51	76243-49	76243-49
45	Anode	43817-38	43817-38	43817-38	43817-42	43817-38
46	Soupape T&P	99465-7	99465-7	99465-7	99465-7	99465-7
47	Transformateur	193444	193444	193444	193444	193444
48	Tube de la veilleuse	1417-60	1417-60	1417-60	1417-60	1417-60
49	Tube d'entrée d'eau (immergé)	193729	192626	193729	192626	193729
50	Robinet de vidange	26273-6	26273-6	26273-6	26273-6	26273-6
51	Soupape de gaz, gaz naturel	192827	192827	192827	192827	192827
52	Soupape de gaz, pétrole liquéfié	192827-1	192827-1	192827-1	192827-1	192827-1
53	Conduit (fils du thermostat)	193456-1	193456-1	193456-1	193456-1	193456-1
54	Fil de mise à la terre	77948-7	77948-7	77948-7	77948-7	77948-7
55	Panneau d'interrupteurs/plaque de montage	193448	193448	193448	193448	193448
56	Interrupteur marche/arrêt	193243	193243	193243	193243	193243
57	Douille	193404	193404	193404	193404	193404
58	Étrier de connexion	193476	193476	193476	193476	193476
59	Capot – boîte de commande	193447	193447	193447	193447	193447
60	Couvercle, brûleur	98185	98185	98185-2	98185-2	98185-2
61	Canon à eau	195100	195100	195098	195098	195098
62	Capuchon pour tuyaux en acier galvanisé (1 1/2 po)	193940	193940	193940	193940	193940
63	Obturbateur pour tuyaux en acier galvanisé (1 1/2 po)	194623	194623	194623	194623	194623
64	Raccord pour tuyaux en acier galvanisé (1 1/2 po)	194127	194127	194127	194127	194127
65	Instructions, assemblage des pattes	195124	195124	195124	195124	195124
66	Étiquette – Orientation de l'évacuateur	195125	195125	195125	195125	195125
67	Étiquette – Pression nominale	183758	183758	183758	183758	183758

ARTICLE	DESCRIPTION	CGA	CGA	CGA	CGA	CGA
		SBD100199NES/A	SBD100250NE/A	SBD65251NE/A	SBD100275NE/A	SBD65305NE/A
1	Défecteur de gaz de combustion	193889	193595	193595	193945	193595
2	Base de la chemise	192095	192095	193919	192095	193919
3	Bride, orifice du brûleur principal	98044(5)	98044(5)	98044(7)	98044(5)	98044(7)
4	Brûleur principal	98047	98047	98047	98047	192322
5	Brûleur principal avec bride pour veilleuse	193873-1	193873-1	193873-1	193873-1	193873
6	Brûleur de la veilleuse, gaz naturel	193314-4	193314-4	193314-4	193314-4	193314-4
7	Brûleur de la veilleuse, pétrole liquéfié	193314-3	193314-3	193314-3	193314-3	193314-3
8	Écran d'isolation, plancher	170259-3	193943	193864-1	193943	193864-1
9	Collet	74060	74060	---	74060	---
ORIFICE DE NETTOYAGE						
11	Joint	99038	99038	99038	99038	99038
12	Plaque de pression	99037	99037	99037	99037	99037
13	Vis autotaraudeuses	69852	69852	69852	69852	69852
17	Module d'allumage – Instructions d'utilisation et identification des commandes	193325	193325	193325	193325	193325
18	Régulateur à deux capteurs, avec limiteur ECO	192828	192828	192828	192828	192828
19	Couvercle de l'orifice de nettoyage	181260	181260	181260	181260	181260
20	Couvercle interne	193392	193393-2	193608	193608	193608
21	Couvercle de la chemise	170256	97062-6	97062-7	97062-7	97062-7
22a	Hotte de tirage	191790	193891	193891	193891	193891
22b	Mécanisme d'entraînement du registre	194484	194484	194484	194484	194484
22c	Adapteur du faisceau de fils	194459	194459	194459	194459	194459
23	Revêtement isolant, panneau du haut	192867	41560-56	192867	192867	192867
ÉTIQUETTES						
24	Allumage et utilisation	193620	193620	193620	193620	193620
26	Orifice de nettoyage	193914	193914	193914	193914	193914
27	Instructions bilingues	193912	193912	193912	193912	193912
28	Ultra Coat	193860	193860	193860	193860	193860
29	Instructions – ECO	193911	193911	193911	193911	193911
30	Vapeurs inflammables	183748	183748	183748	183748	183748
31	Ligne d'aide	194179	194179	194179	194179	194179
32	Instructions	194051	194051	194051	194051	194051
33	« Sandblaster »	195123	195123	195123	195123	195123
34	Veilleuse	193915	193915	193915	193915	193915
35	Propane	182572	182572	182572	182572	182572
36	Soupape de détente	200042	200042	200042	200042	200042
37	Entrée d'eau	161040	161040	161040	161040	161040
38	Sortie d'eau	161040-1	161040-1	161040-1	161040-1	161040-1
39	Schéma de câblage	193621	193621	193621	193621	193621
40	Patte	193826	193826	193826	193826	193826
41	Collecteur	76244	76244	76244-2	76244-2	76244-2
42	Manuel d'instructions	195121-1	195121-1	195121-1	195121-1	195121-1
43	Orifice du brûleur principal, gaz naturel	76243-32	76243-30	76243-35	76243-32	76243-32
44	Orifice du brûleur principal, pétrole liquéfié	76243-48	76243-46	76243-51	76243-49	76243-49
45	Anode	180618-42	43817-38	43817-38	43817-42	43817-38
46	Soupape T&P	199467-7	192467	192467	192467	192467
47	Transformateur	193444	193444	193444	193444	193444
48	Tube de la veilleuse	1417-60	1417-60	1417-60	1417-60	1417-60
49	Tube d'entrée d'eau (immergé)	193729	192626	193729	192626	193729
50	Robinet de vidange	26273-6	26273-6	26273-6	26273-6	26273-6
51	Soupape de gaz, gaz naturel	192827	192827	192827	192827	192827
52	Soupape de gaz, pétrole liquéfié	192827-1	192827-1	192827-1	192827-1	192827-1
53	Conduit (fils du thermostat)	193456-1	193456-1	193456-1	193456-1	193456-1
54	Fil de mise à la terre	77948-7	77948-7	77948-7	77948-7	77948-7
55	Panneau d'interrupteurs/plaque de montage	193448	193448	193448	193448	193448
56	Interrupteur marche/arrêt	193243	193243	193243	193243	193243
57	Douille	193404	193404	193404	193404	193404
58	Étrier de connexion	193476	193476	193476	193476	193476
59	Capot – boîte de commande	193447	193447	193447	193447	193447
60	Couvercle, brûleur	98185-2	98185-2	98185-2	98185-2	98185-2
61	Canon à eau	195100	195198	195102	195098	195102
62	Capuchon pour tuyaux en acier galvanisé (1 1/2 po)	193940	193940	---	193940	---
63	Obturbateur pour tuyaux en acier galvanisé (1 1/2 po)	---	---	194623-3	---	194623-3
64	Raccord pour tuyaux en acier galvanisé (1 1/2 po)	---	---	194127	---	194127
65	Instructions, assemblage des pattes	195124	195124	195124	195124	195124
66	Étiquette – Orientation de l'évacuateur	195125	195125	195125	195125	195125
67	Étiquette – Pression nominale	183758	183758	183758	183758	183758

ARTICLE	DESCRIPTION	SBD85365NE/A	SBD100400NE/A	SBD85500NE/A
1	Défecteur de gaz de combustion	193945	193995	193995
2	Base de la chemise	194164	193999	193986
3	Bride, orifice du brûleur principal	098044(9)	098044(9)	098044(9)
4	Brûleur principal	98047	192322	98047
5	Brûleur principal avec bride pour veilleuse	193873-1	193873-1	193873-1
6	Brûleur de la veilleuse, gaz naturel	193314-4	193314-4	193314-4
7	Brûleur de la veilleuse, pétrole liquéfié	193314-3	193314-3	193314-3
8	Écran d'isolation, plancher	194176	193997	193984
9	Collet	74060	74060	74060
ORIFICE DE NETTOYAGE				
11	Joint	99038	99038	99038
12	Plaque de pression	99037	99037	99037
13	Vis autotaraudeuses	69852	69852	69852
17	Module d'allumage – Instructions d'utilisation et identification des commandes	193325	193325	193325
18	Régulateur à deux capteurs, avec limiteur ECO	192828	192828	192828
19	Couvercle de l'orifice de nettoyage	181260	181260	181260
20	Couvercle interne	193608	193392	193608
21	Couvercle de la chemise	97062-7	170256	97062-7
22a	Hotte de tirage	193891	193891	193891
22b	Mécanisme d'entraînement du registre	194484	194484	194484
22c	Adaptateur du faisceau de fils	194459	194459	194459
23	Revêtement isolant, panneau du haut	192867	192867	192867
ÉTIQUETTES				
24	Allumage et utilisation	193620	193620	194008
26	Orifice de nettoyage	193914	193914	193914
27	Instructions bilingues	193912	193912	193912
28	Ultra Coat	193860	193860	193860
29	Instructions – ECO	193911	193911	193911
30	Vapeurs inflammables	192872	192872	192872
31	Ligne d'aide	194179	194179	194179
32	Instructions	194051	194051	194051
33	Master-Fit	193859	193859	193859
34	Veilleuse	193915	193915	193915
35	Propane	182572	182572	182572
36	Soupape de détente	200042	200042	200042
37	Entrée d'eau	161040	161040	161040
38	Sortie d'eau	161040-1	161040-1	161040-1
39	Schéma de câblage	193621	193621	193621
40	Patte	193826	193826	194093
41	Collecteur	76244-4	76244-4	76244-4
42	Manuel d'instructions	194027	194027	194027
43	Orifice du brûleur principal, gaz naturel	76243-32	76243-31	76243-29
44	Orifice du brûleur principal, pétrole liquéfié	76243-49	76243-48	76243-44
45	Anode	180618-42	180618-42	180618-42
46	Soupape T&P	192467	192467	192467
47	Transformateur	193444	193444	193444
48	Tube de la veilleuse	1417-60	1417-60	1417-60
49	Tube d'entrée d'eau (immérgé)	192626	192626	192626
50	Robinet de vidange	26273-6	26273-6	26273-6
51	Soupape de gaz, gaz naturel	192827-2	192827-2	193366
52	Soupape de gaz, pétrole liquéfié	192827-3	192827-3	193366-1
53	Conduit (fils du thermostat)	193456-1	193456-1	193456-1
54	Fil de mise à la terre	77948-7	77948-7	77948-7
55	Panneau d'interrupteurs/plaque de montage	193448	193448	193448
56	Interrupteur marche/arrêt	193243	193243	193243
57	Douille	193404	193404	193404
58	Étrier de connexion	193476	193476	193476
59	Capot – boîte de commande	193447	193447	193447
60	Couvercle, brûleur	98185-2	98185-2	98185-2
61	Canon à eau	195102	105098	195098
62	Capuchon pour tuyaux en acier galvanisé (1 1/2 po)	193940	193940	----
63	Obturateur pour tuyaux en acier galvanisé (1 1/2 po)	194623	----	194623
64	Raccord pour tuyaux en acier galvanisé (1 1/2 po)	194127	----	194127
65	Pochette d'instructions	195124	195124	195124
66	Étiquette – Orientation de l'évacuateur	195125	195125	195125
67	Étiquette – Pression nominale	183858	183758	183758



500 Lindahl Parkway, Ashland City, TN 37015
Téléphone : 1 800 821-2017 Téléc. : 1 800 644-9306
www.stateind.com