



# STYLIST GROUP

## SPECIFICATION

Seamless die-drawn construction of type 304, 18-8 stainless steel. Interior and top surfaces polished to a non-porous Hand-Blended Just Finish with highlighted bowl rim. Fully coated underside insulates for sound, and reduces condensation. Straight-sided compartment with  $1\frac{3}{4}$ " radius corners provides greater capacity. Self-rimming top mount Grip-Rim Plus with 300 series stainless steel mounting channels. Conforms to ASME/ANSI A112.19.3M. Drain punch #35 centered for Just J-35 unless otherwise specified.

**TYPE 316 STAINLESS STEEL** (Check if applicable)



**AVAILABLE  
ADA COMPLIANT**

Most 18 gauge units are available in depths 4 1/2" to 6 1/2" to accommodate installation compliant with "ADA" requirements. Refer to the Drop-In ADA section of your standard Just binder for detailed information.

### To be specified :

- Faucet hole punching:
  - (1) Hole Centered
  - (2) Holes on 4" centers
  - (3) Holes on 4"centers(illustrated)
  - (4) Holes on 4" centers
- Alternate Punching:  
 Faucet Model: \_\_\_\_\_  
 Punching required: \_\_\_\_\_

MODEL NO.	A	B	C	D	E	F	CUTOUT*
SL-2125-A-GR	21	25	16	22	3-1/2	8	20-1/4 x 24-1/4
SL-2131-A-GR	21	31	16	28	3-1/2	7-1/2	20-1/4 x 30-1/4
SL-2133-A-GR**	21	33	16	28	3-1/2	7-1/2	20-1/4 x 32-1/4
SL-2225-A-GR	22	25	16	22	4-1/2	8	21-1/4 x 24-1/4
SL-2231-A-GR	22	31	16	28	4-1/2	7-1/2	21-1/4 x 30-1/4
SL-2233-A-GR**	22	33	16	28	4-1/2	7-1/2	21-1/4 x 32-1/4

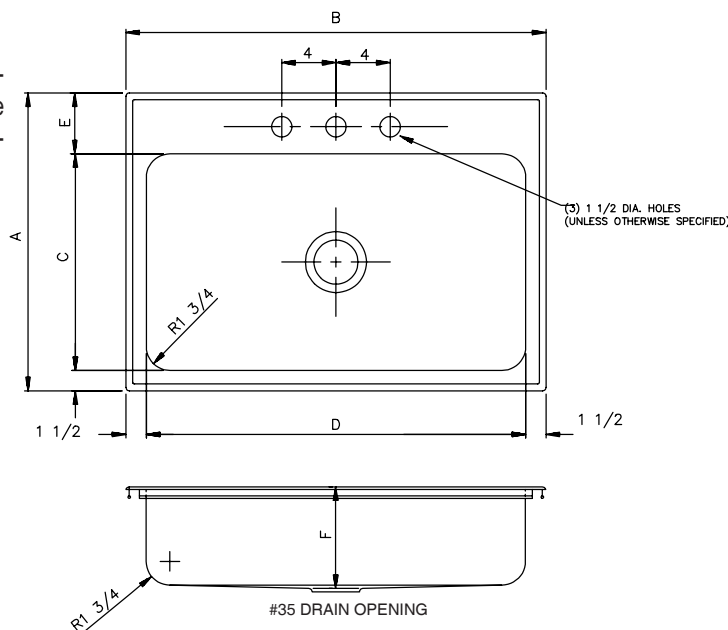
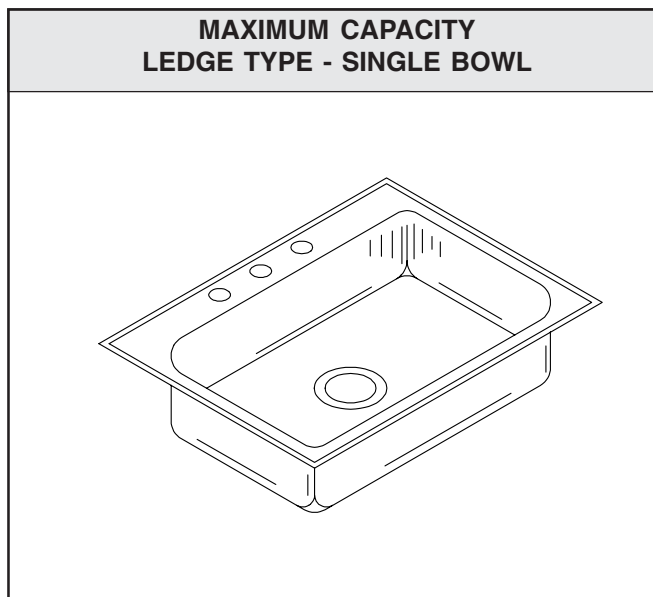
\* Cutout dimensions shown (Front-to-Back) x (Left-to-Right) - Corners of cutout may be square or up to 1/2" radius.

\*\*These bowls have 2 1/2" side flanges.

FUNCTIONAL DESIGN, QUALITY, AND SPECIFICATIONS LISTED DESCRIBE THE JUST STANDARD OF QUALITY. WHEN MAKING COMPARISONS WITH OTHER OFFERINGS, INSIST ON THE JUST QUALITY OF CONSTRUCTION. FOR ADDITIONAL INFORMATION REGARDING THE COMPLETE LINE OF **JUST** SINKS, FAUCETS AND DRAINS, VISIT OUR WEB SITE AT [www.justmfg.com](http://www.justmfg.com)

## SL - SERIES - A - 18 GA.

**MAXIMUM CAPACITY  
LEDGE TYPE - SINGLE BOWL**



**SUBMITTAL DATA**

Job Name \_\_\_\_\_

Customer \_\_\_\_\_

Architect/Engineer \_\_\_\_\_

---

APPROVED FOR MANUFACTURING

MODEL NO. \_\_\_\_\_ QTY. \_\_\_\_\_

COMPANY \_\_\_\_\_

TITLE \_\_\_\_\_ DATE \_\_\_\_\_

SIGNATURE \_\_\_\_\_

REVISED-5/2004