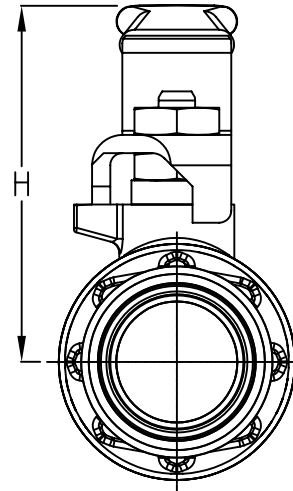
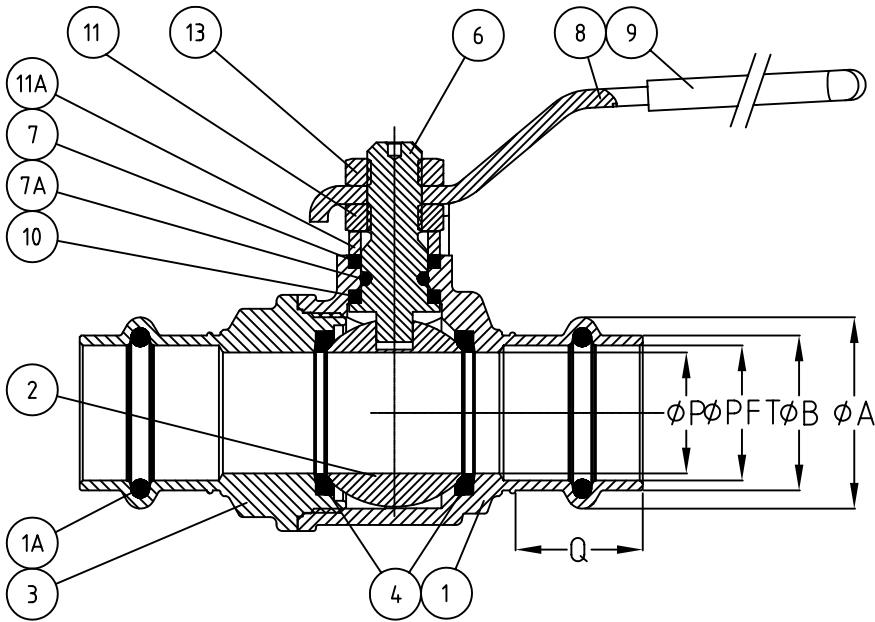
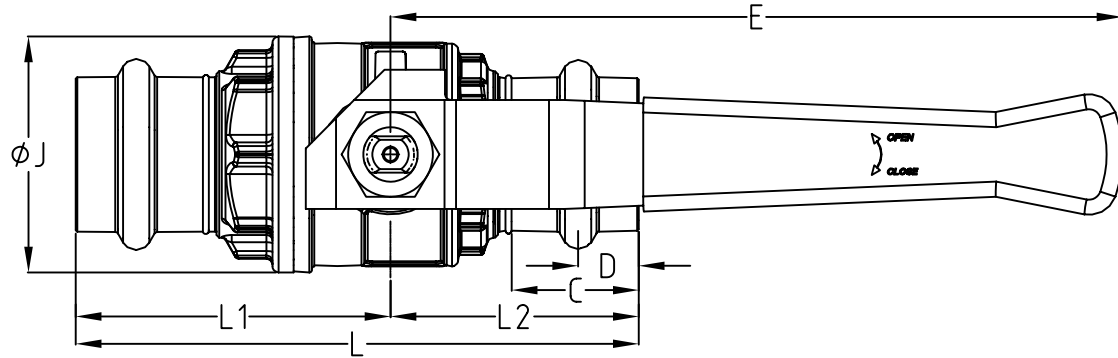


Fig No:

FNW430



MATERIALS LIST

Ref. No.	Description	Material	Qty
1	Body	Brass CW 602N UNI EN 12165	1
1A	O-Ring	EPDM (EP851)	2
2	Ball	Brass CW 617N UNI EN 12165 (Nickel-Chrome Plated)	1
3	End Cap	Brass CW 602N UNI EN 12165	1
4	Seat	PTFE	2
6	Stem	Brass CW 614N UNI EN 12164	1
7	Stem Packing	PTFE	1
7A	Stem O-Ring	NBR	1
8	Handle	Fe DD11 UNI EN 10111	1
9	Handle Cover	Vinyl	1
10	Thrust Washer	PTFE	1
11	Gland Nut	Steel	1
11A	Packing Gland	Brass CW 614N UNI EN 12164	1
13	Handle Nut	Steel	1

DIMENSIONS

Size	ØA	ØB	C	D	E	H	ØJ	L	L1	L2	ØP	ØPFT	Q
1/2	0.94	0.75	0.67	0.31	3.86	1.89	1.30	3.13	1.71	1.42	0.59	0.63	0.71
3/4	1.24	1.01	0.83	0.39	4.80	2.28	1.54	3.66	2.05	1.61	0.79	0.88	0.91
1	1.50	1.26	0.83	0.39	4.80	2.44	1.93	4.13	2.32	1.81	0.98	1.13	0.94
1-1/4	1.75	1.51	0.83	0.39	6.02	3.07	2.32	4.41	2.44	1.97	1.26	1.38	1.02
1-1/2	2.12	1.79	1.02	0.49	6.02	3.35	2.87	5.63	2.91	2.72	1.57	1.63	1.42
2	2.60	2.28	1.18	0.57	6.38	3.80	3.39	6.48	3.39	3.09	1.95	0.63	1.57

CODE W-003

APPROVED BY.

CHECK BY.

DRAWN BY.

DRAWING NO.

MATERIAL

UNIT

DESCRIPTION

**FNW™**

SIGN

F430

INCH

DATE

07/13/2005

07/13/2005

07/13/2005

REVISION

00

SCALE

FREE

BRASS BODY, FULL BORE BALL VALVES,  
PRESS FIT END, 600 W.O.G.