



ELECTRIC REPLACEMENT PARTS LIST

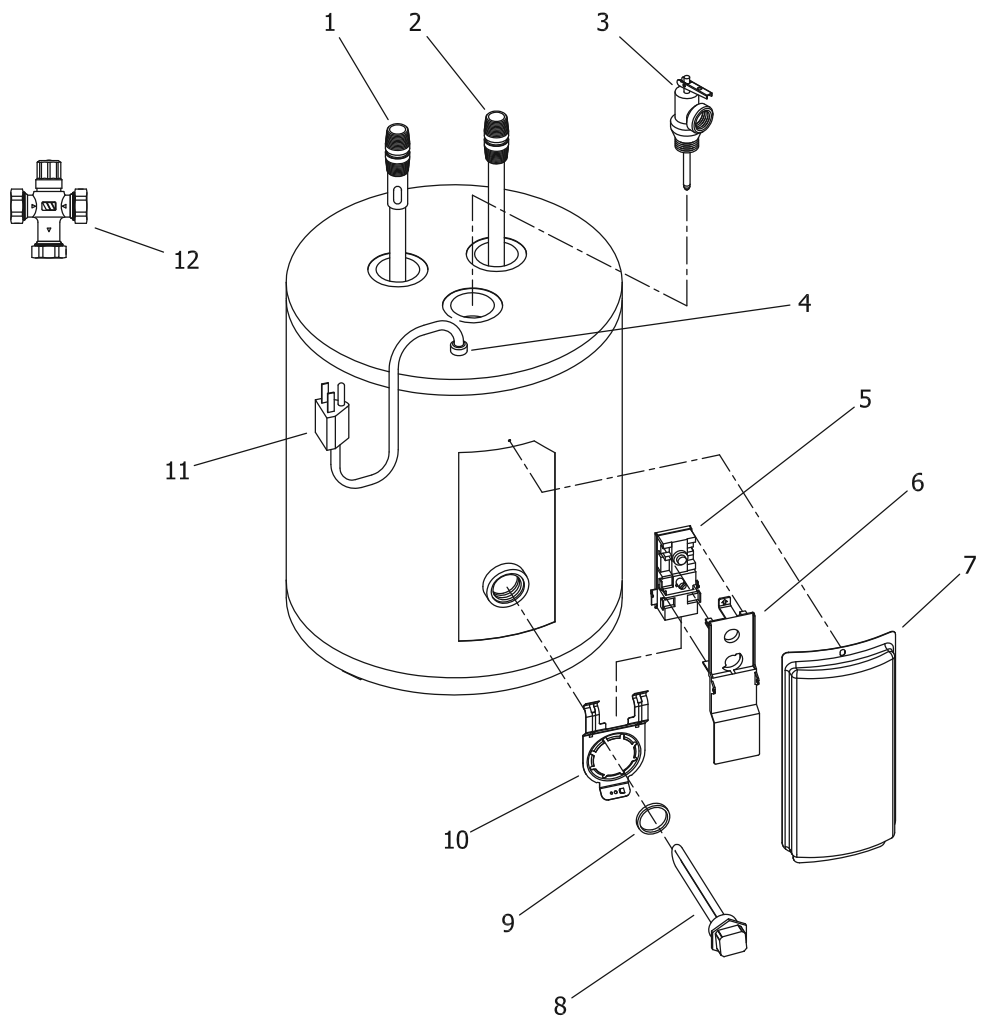
Residential Energy Saver (M1,2) Utility Models Commercial Energy Saver (LD) Utility Models



***Effective: March, 2012
ECO 7496***

**NOTE: BOTH MODEL AND SERIAL
NUMBERS ARE REQUIRED FOR
ORDERING REPLACEMENT PARTS**

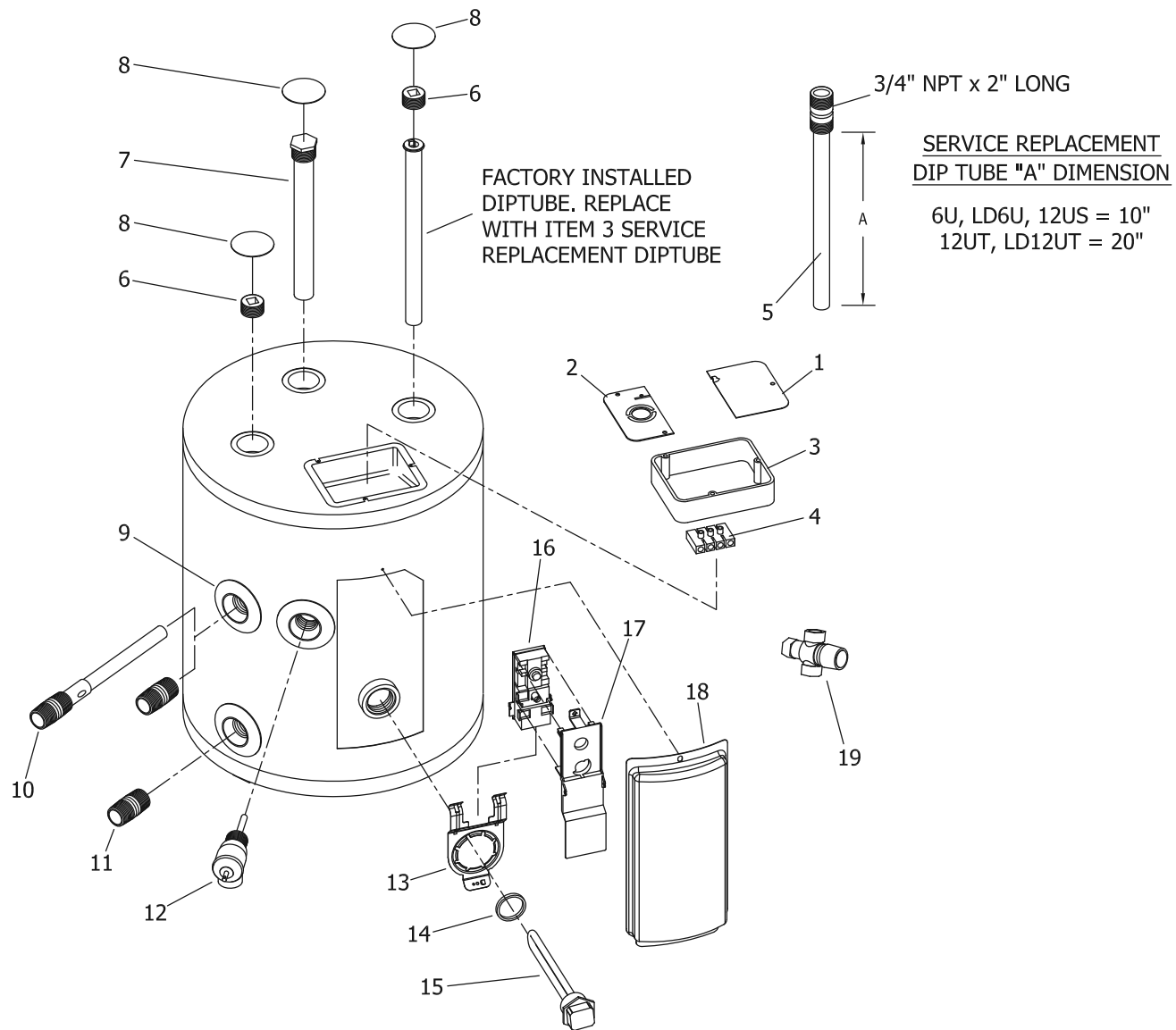
Dimensions and specifications
subject to change without notice.



Item	Description	Model M1-2U*SS
1	Hot Water Outlet Anode (Magnesium)	224-47776-20
	Hot Water Outlet/Anode (Aluminum)	224-47778-20
	Hot Water Outlet/Anode (A420)#	224-49560-08
2	Cold Water Inlet Dip Tube (PPDTA)	229-32730-67
	Cold Water Inlet Dip Tube (PSDTA) (NC Code)	229-34189-46
3	T&P Relief Valve	265-32920-01
4	Strain Relief Bushing	239-80372-00
5	Thermostat	219-40360-00
6	Thermostat Cover	223-40399-00
7	Hand Hole Cover	239-44929-00
8	Heating Element	265-42540-02
9	Element Gasket	223-34019-00
10	Thermostat Bracket	239-44479-00
11	Power Cord	239-38846-00
12	ASSE Approved Mixing Valve (Optional)	239-43740-01

*Applies to all warranties

A420 Anode may need to be cut to length

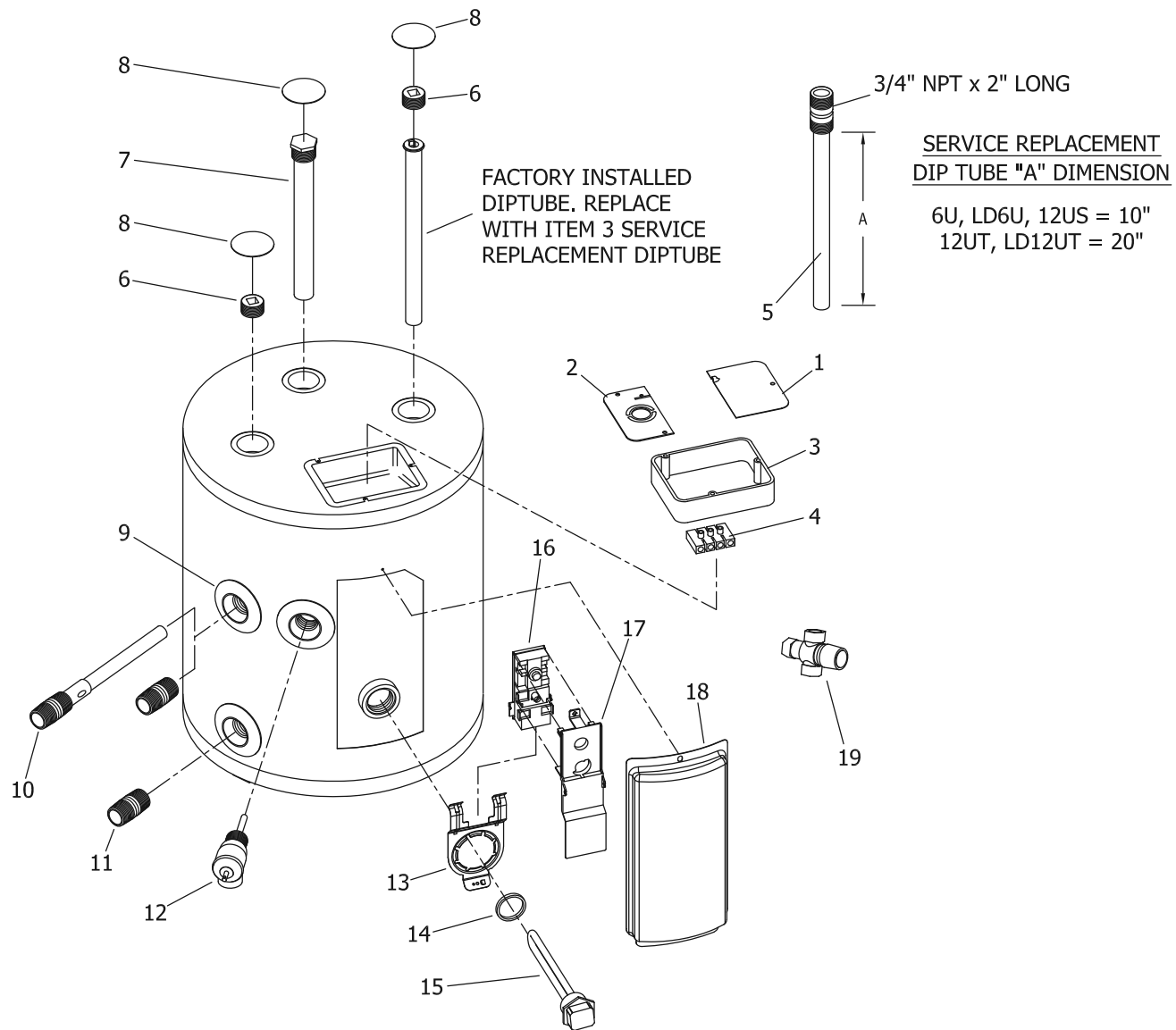


Item	Description	Model M16U*SS	Model M112U*SS	Model M112UT*SS	Model M120U*SS	Model M230U*SS
1	Junction Box Cover	243-39452-00	243-39452-00	243-39452-00	243-39452-00	243-39452-00
2	Bracket-Grounding/Conduit	243-39451-00	243-39451-00	243-39451-00	243-39451-00	243-39451-00
3	Junction Box Extender	---	---	---	---	---
4	Terminal Block 4-Pole	---	---	---	---	---
5	Service Replacement Dip Tube (Polypropylene)	243-44520-01	243-44520-01	243-44520-02	---	---
	Service Replacement Dip Tube (Polysulfone) (NC Code)	243-44521-01	243-44521-01	243-44521-02	---	---
6	Pipe Plug 3/4 NPT	239-11638-00	239-11638-00	239-11638-00	---	---
7	Anode Rod Plug Type (Magnesium)	224-47782-01	224-47782-01	224-47782-01	---	224-47782-03
	Anode Rod Plug Type (Aluminum)	224-47783-01	224-47783-01	224-47783-02	---	224-47783-02
	Anode Rod Plug Type (A420) #	224-49559-04	224-49559-04	224-49559-04	---	224-49559-04
8	Hole Closure	239-31547-02	239-31547-02	239-31547-02	---	239-31547-02
9	Escutcheon	239-41336-00	239-41336-00	239-41336-00	239-41336-00	239-41337-00
10	Hot Water outlet Anode (Magnesium)	---	---	---	224-47776-14	---
	Hot Water outlet Anode (Aluminum)	---	---	---	224-32999-33	---
	Hot Water outlet Anode (A420 Aluminum) #	---	---	---	224-49560-08	---
11	Inlet/Outlet Nipple	229-32762-03	229-32762-03	229-32762-03	229-32762-03	229-32762-03
12	T&P Relief Valve	265-32920-01	265-32920-01	265-32920-01	265-32920-01	230-40594-02
13	Thermostat Bracket	239-44479-00	239-44479-00	239-44479-00	239-44479-00	239-44479-00
14	Element Gasket	223-34019-00	223-34019-00	223-34019-00	223-34019-00	223-34019-00
15	Heating Element 1500W, 120V Copper**	265-42540-02	265-42540-02	265-42540-02	265-42540-02	265-42540-02
	Heating Element 1500W, 120V Incoloy**	265-42541-02	265-42541-02	265-42541-02	265-42541-02	265-42541-02
16	Thermostat	265-40694-00	265-40694-00	265-40694-00	265-40694-00	265-40694-00
17	Thermostat Cover	223-40399-00	223-40399-00	223-40399-00	223-40399-00	223-40399-00
18	Hand Hole Cover	243-36618-02	243-36618-02	243-36618-02	243-36618-02	243-36618-02
19	ASSE Approved Mixing Valve (Optional)	239-43740-01	239-43740-01	239-43740-01	239-43740-01	239-43740-01

*Applies to all warranties

**For other wattages/voltages, consult Residential Heating Element Replacement Parts List.

#A420 Anode may need to be cut to length

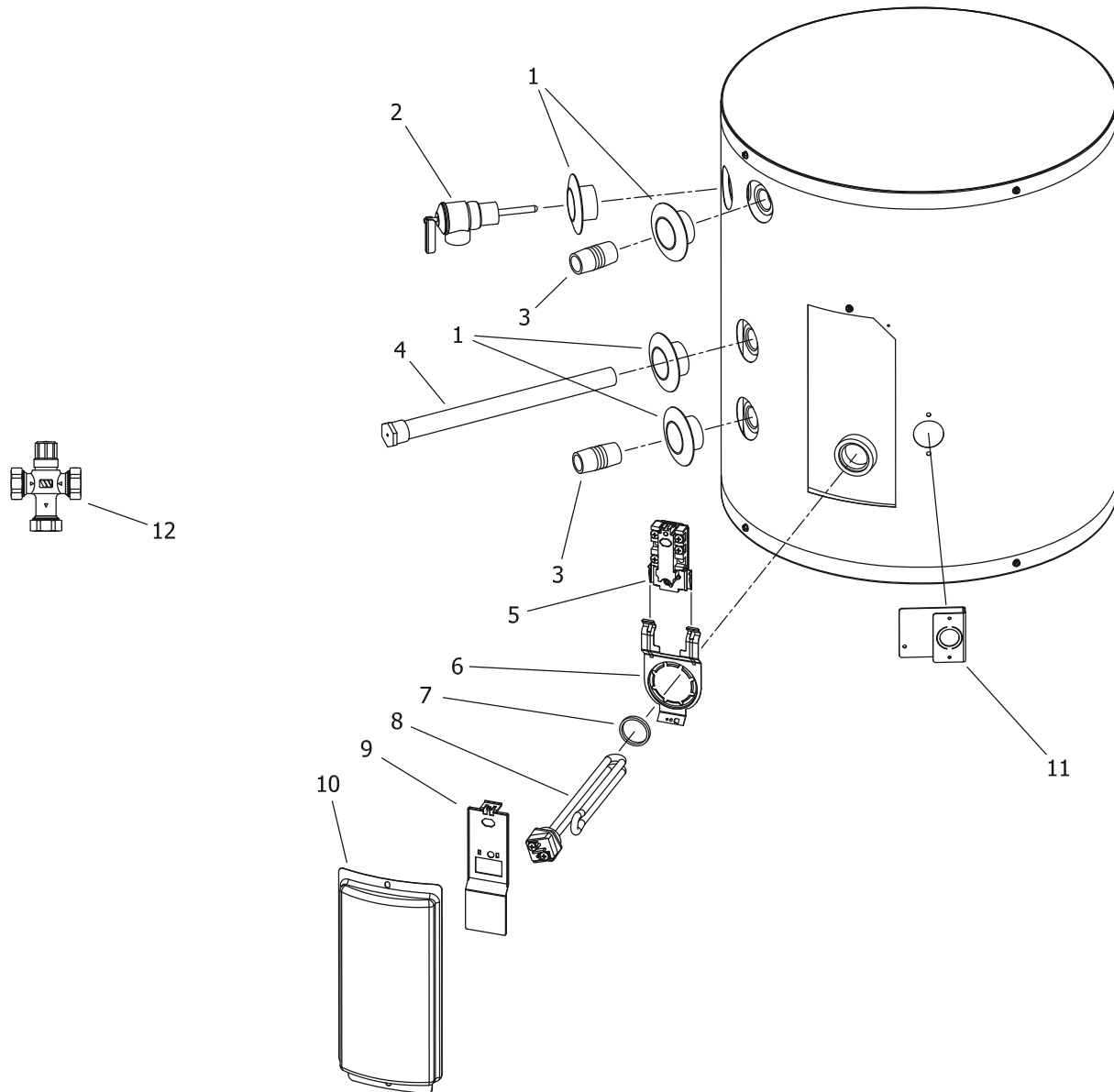


Item	Description	Model LD6U*	Model LD12UT*	Model LD20U*	Model LD30U*
1	Junction Box Cover	243-39452-00	243-39452-00	243-39452-00	243-39452-00
2	Bracket-Grounding/Conduit	243-39451-00	243-39451-00	243-39451-00	243-39451-00
3	Junction Box Extender	239-40587-00	239-40587-00	239-40587-00	239-40587-00
4	Terminal Block 4-Pole	239-47294-00	239-47294-00	239-47294-00	239-47294-00
5	Service Replacement Dip Tube (Polypropylene)	243-44520-01	243-44520-02	---	---
	Service Replacement Dip Tube (Polysulfone) (NC Code)	243-44521-01	243-44521-02	---	---
6	Pipe Plug 3/4 NPT	239-11638-00	239-11638-00	---	---
7	Anode Rod Plug Type (Magnesium)	224-47782-01	224-47782-01	---	224-47782-03
	Anode Rod Plug Type (Aluminum)	224-47783-01	224-47783-02	---	224-47783-02
	Anode Rod Plug Type (A420) #	224-49559-04	224-49559-04	---	224-49559-04
8	Hole Closure	239-31547-02	239-31547-02	---	239-31547-02
9	Escutcheon	239-41336-00	239-41336-00	239-41336-00	239-41337-00
10	Hot Water outlet Anode (Magnesium)	---	---	224-47776-14	---
	Hot Water outlet Anode (Aluminum)	---	---	224-32999-33	---
	Hot Water outlet Anode (A420 Aluminum) #	---	---	224-49560-08	---
11	Inlet/Outlet Nipple	229-32762-03	229-32762-03	229-32762-03	229-32762-03
12	T&P Relief Valve	230-32920-01	230-32920-01	230-32920-01	230-40594-02
13	Thermostat Bracket	239-44479-00	239-44479-00	239-44479-00	239-44479-00
14	Element Gasket	223-34019-00	223-34019-00	223-34019-00	223-34019-00
15	Heating Element 1500W, 120V Copper**	265-42540-02	265-42540-02	265-42540-02	265-42540-02
	Heating Element 1500W, 120V Incoloy**	265-42541-02	265-42541-02	265-42541-02	265-42541-02
16	Thermostat	265-40694-00	265-40694-00	265-40694-00	265-40694-00
17	Thermostat Cover	223-40399-00	223-40399-00	223-40399-00	223-40399-00
18	Hand Hole Cover	243-36618-02	243-36618-02	243-36618-02	243-36618-02
19	ASSE Approved Mixing Valve (Optional)	239-43740-01	239-43740-01	239-43740-01	239-43740-01

*Applies to all warranties

**For other wattages/voltages, consult Residential Heating Element Replacement Parts List.

#A420 Anode may need to be cut to length



Item	Description	Model	Model
		M110U*SS, LD10U*	M115U*SS, LD15U*
1	Escutcheon	239-41336-00	239-41336-00
2	T&P Relief Valve	230-32920-01	230-32920-01
3	Inlet/Outlet Nipple	229-32762-03	229-32762-03
4	Anode Rod Plug Type (Magnesium)	224-47782-01	224-47782-01
	Anode Rod Plug Type (Aluminum)	224-47783-01	224-47783-01
	Anode Rod Plug Type (A420)#	224-49559-04	224-49559-04
5	Thermostat	265-40694-00	265-40694-00
6	Thermostat Bracket	239-44479-00	239-44479-00
7	Element Gasket	223-34019-00	223-34019-00
8	Heating Element 1500W, 120V Copper**	265-42540-02	265-42540-02
	Heating Element 1500W, 120V Incoloy**	265-42541-02	265-42541-02
9	Thermostat Cover	223-40399-00	223-40399-00
10	Hand Hole Cover	243-36618-02	243-36618-02
11	Bracket-Grounding/Conduit	239-46167-00	239-46167-00
12	ASSE Approved Mixing Valve (Optional)	239-43740-01	239-43740-01

*Applies to all warranties

**For other wattages/voltages, consult Residential Heating Element Replacement Parts List.

#A420 Anodes may need to be cut to length



BRADFORD WHITE®

W A T E R H E A T E R S

Ambler, PA

For U.S. and Canada field service,
contact your professional installer or
local Bradford White sales representative.

Sales/800-523-2931
Fax/215-641-1670
Parts Fax/215-641-2180

Technical Support/800-334-3393
Fax/269-795-1089

Warranty/800-531-2111
Fax/269-795-1089

International:
Telephone/215-641-9400
Telefax/215-641-9750



BRADFORD WHITE-CANADA® INC.

Mississauga, ON

Sales/866-690-0961
905-238-0100

Fax/905-238-0105

Technical Support/800-334-3393

Email

parts@bradfordwhite.com
techserv@bradfordwhite.com

www.bradfordwhite.com