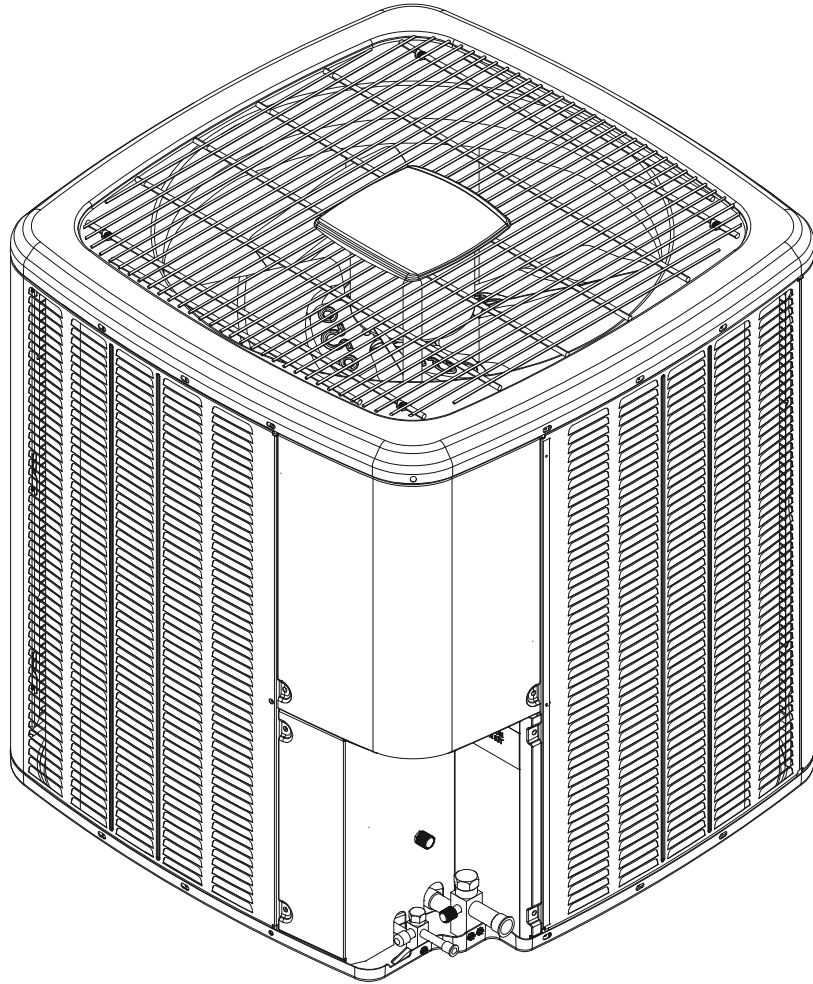


REPAIR PARTS

DSXC 16/18 SEER Remote Condensing Unit

DSXC160241AA
DSXC160241AB
DSXC160241AC
DSXC160361AA
DSXC160361AB
DSXC160361AC
DSXC160481AA
DSXC160481BA
DSXC160481BB
DSXC160601AA
DSXC160601BA
DSXC160601BB
DSXC180361AA
DSXC180361AB
DSXC180361AC
DSXC180481AA
DSXC180481AB
DSXC180601AA
DSXC180601AB



This manual is to be used by qualified technicians only.

This manual replaces RP-580C.

© 2010,2012 Goodman Manufacturing Company, L.P. ♦ 5151 San Felipe, Suite 500 ♦ Houston, TX 77056

Important Information

Index

Functional Parts List	3
Illustration and Parts	4 - 9

Views shown are for parts illustrations only, not servicing procedures.

Rec D: addition of DSXC16[048,060]1BB models (motor supplier changes) and DSXC180361AC (compressor changes)

Text Codes:

AR - As Required

NA - Not Available

NS - Not Shown

00000000 - See Note

QTY - Quantity Example (QTY 3) (If Quantity not shown, Quantity = 1)

M - Model Example (M1) (If M Code not shown, then part is used on all Models)

Expanded Model Nomenclature:

Example M1 - Model#1 M2 - Model#2 M3 - Model#3

Goodman Manufacturing Company, L.P. is not responsible for personal injury or property damage resulting from improper service. Review all service information before beginning repairs.

Warranty service must be performed by an authorized technician, using authorized factory parts. If service is required after the warranty expires, Goodman Manufacturing Company, L.P. also recommends contacting an authorized technician and using authorized factory parts.

Goodman Manufacturing Company, L.P. reserves the right to discontinue, or change at any time, specifications or designs without notice or without incurring obligations.

For assistance within the U.S.A. contact:
Consumer Affairs Department
Goodman Manufacturing Company, L.P.
7401 Security Way
Houston, Texas 77040
877-254-4729-Telephone
713-863-2382-Facsimile

For assistance outside the U.S.A. contact:
International Division
Goodman Manufacturing Company, L.P.
7401 Security Way
Houston, Texas 77040
713-861-2500-Telephone
713-863-2382-Facsimile

Functional Parts

Part

No: Description:

Expanded Model Nomenclature

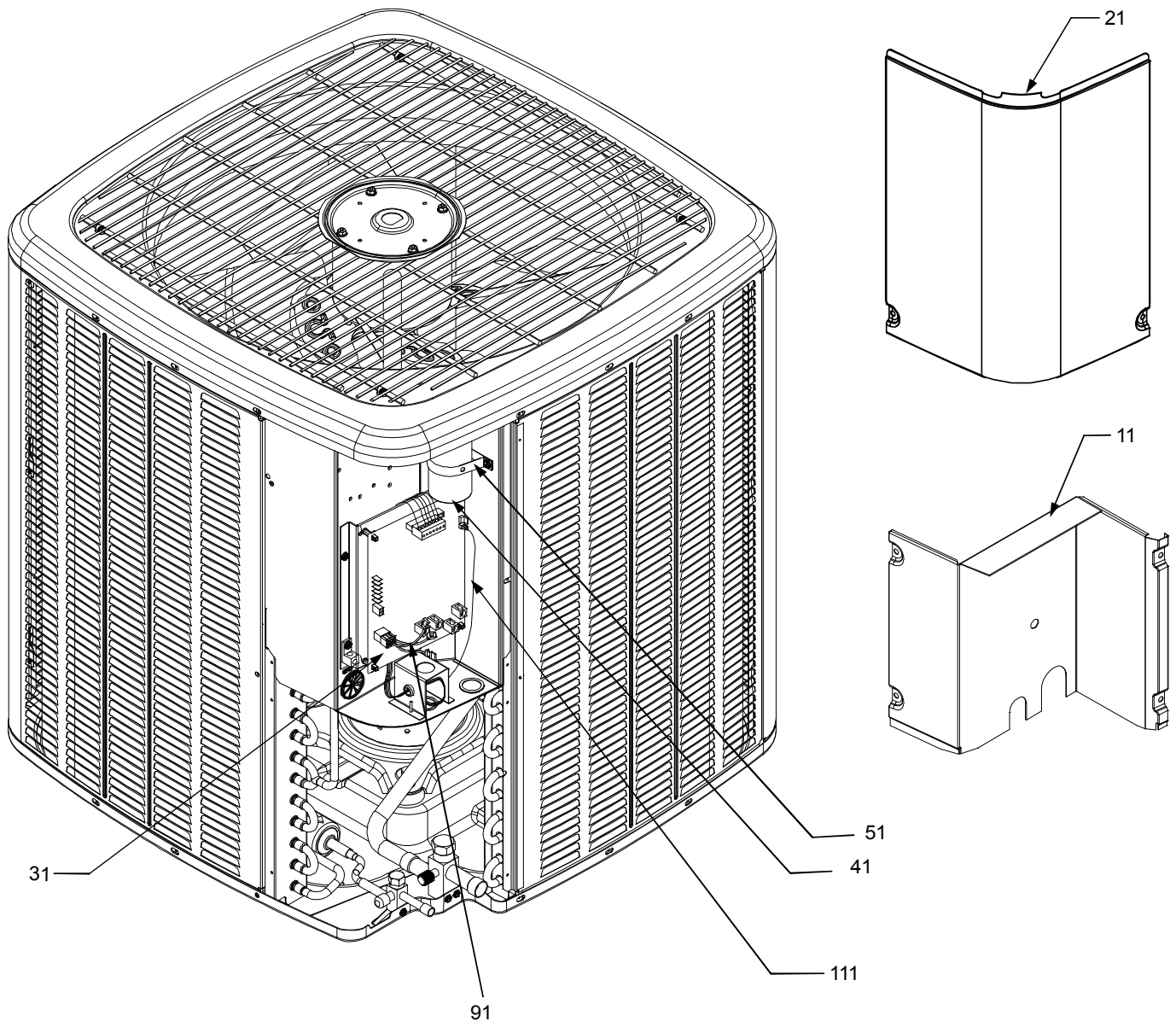
B12825171	3/8" SERVICE VALVE
CAP050350440RS	CAPACITOR 5/35/440V (M1, M2, M3)
CAP050400440RT	CAPACITOR 5/40/440V (M4, M5, M6, M13, M14, M15)
CAP050450440RT	CAPACITOR 5/45/440V (M7, M8, M9, M16, M17)
CAP050800440RT	CAPACITOR 5/80/440V (M10, M11, M12, M18, M19)
ZPS20K5EPFV230	COMP, 20000,208/230 (M3)
ZPS30K5EPFV230	COMP,30000,208/230 (M6, M13, M14, M15)
ZPS49K4EPFV230	COMP,49200,208/230/60/1/2STG (M11, M12)
ZPS20K4EPFV230	COMPRESSOR 20000, 208/230/60/1/2STG (M1, M2)
ZPS30K4EPFV230	COMPRESSOR 30000, 208/230/60/1/2STG (M4, M5)
ZPS40K4EPFV230	COMPRESSOR 40000, 208/230/60/1/2STG (M7, M8, M9, M16, M17)
ZPS51K4EPFV230	COMPRESSOR 52000, 208/230/60/1/2STG (M10, M18, M19)
0150M00008	FAN BLADE 22" TNT2203-25 (M1, M2, M3)
10625738	FAN BLADE 26" ALUM CCW (M7, M8, M9, M10, M11, M12)
0150M00010	FAN BLADE 26" ALUM CCW (M13, M14, M15, M16, M17, M18, M19)
B1086764	FAN BLADE TYPE 2 (M4, M5, M6)
0130R00003	HIGH PRESSURE SWITCH
0130M00086	LOW PRESSURE SWITCH (M2, M3, M5, M6, M8, M9, M10, M11, M12, M14, M15, M17, M19)
0130R00002	LOW PRESSURE SWITCH (M1, M4, M7, M13, M16, M18)
0131M00115	MOTOR 1/6 HP 2SP 8PL (M7, M8, M9, M10, M11, M12)
0131M00118	MOTOR, 1/6HP, 2SP, 8PL (M4, M5, M6)
0131M00117	MOTOR, 1/6HP, 2SP, 8PL (M1, M2, M3)
0131M00129	MOTOR, ECM (M13, M14, M15, M16, M17, M18, M19)
0130M00054	OUTDOOR AIR TEMP SENSOR
PCBGR102	PCB, CONTROL, 2 STG, AC
0151R00032	VALVE, BASE 3/4" OPEN LEFT (M1, M2, M3, M4, M5, M6)
0151R00033	VALVE, BASE 7/8" OPEN LEFT (M7, M8, M9, M10, M11, M12, M13, M14, M15, M16, M17, M18, M19)

M1 - DSXC160241AA
M2 - DSXC160241AB
M3 - DSXC160241AC
M4 - DSXC160361AA
M5 - DSXC160361AB
M6 - DSXC160361AC
M7 - DSXC160481AA
M8 - DSXC160481BA
M9 - DSXC160481BB
M10 - DSXC160601AA
M11 - DSXC160601BA
M12 - DSXC160601BB
M13 - DSXC180361AA
M14 - DSXC180361AB
M15 - DSXC180361AC
M16 - DSXC180481AA
M17 - DSXC180481AB
M18 - DSXC180601AA
M19 - DSXC180601AB

SPECIAL PARTS

0161R00024	GRILL CAP
0161R00009P	NAMEPLATE

Control Cover / Control Box



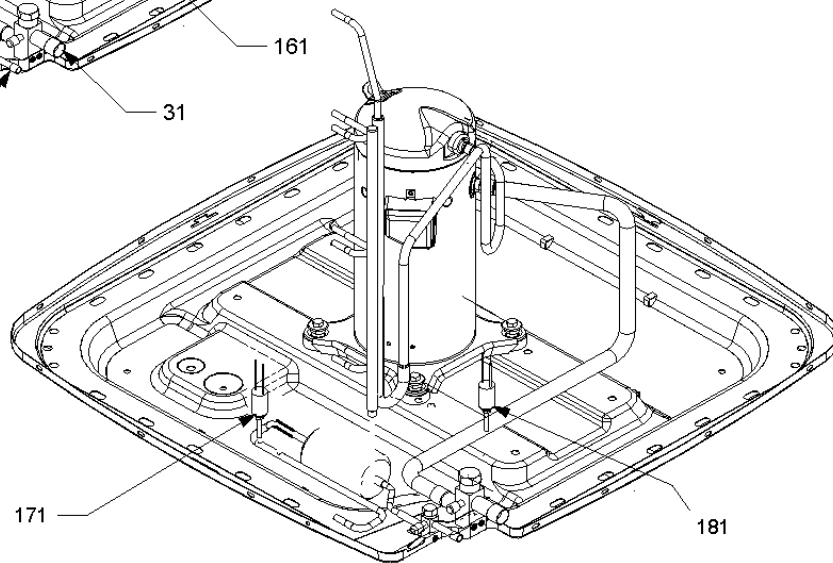
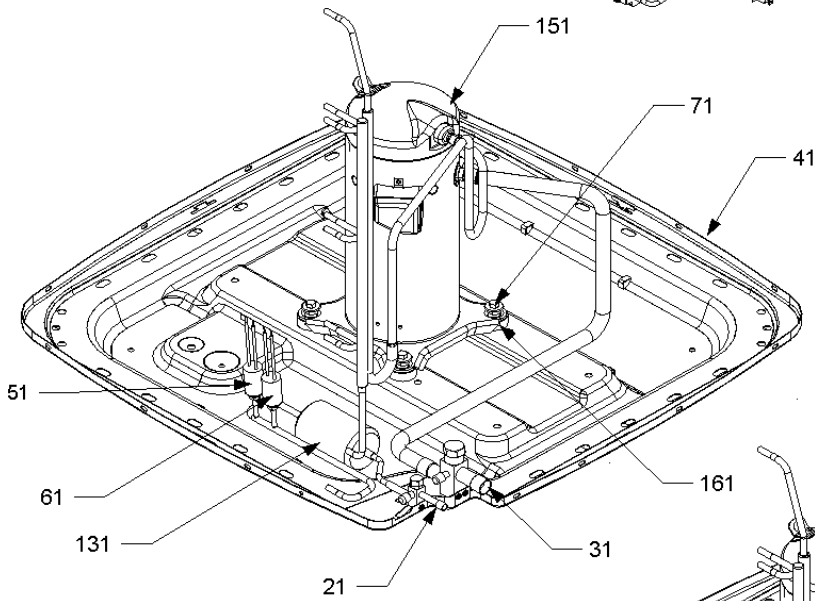
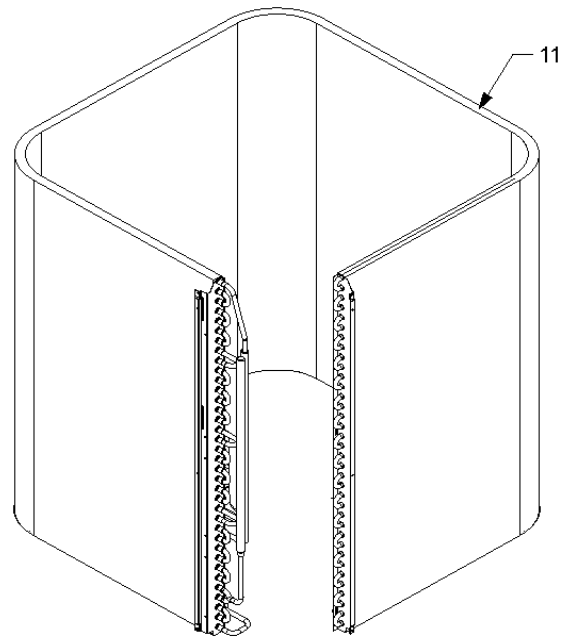
Control Cover / Control Box

Ref. Part No:	No:	Description:	Ref. Part No:	No:	Description:
<i>Image 1:</i>					
11	0121R00315PDG	PANEL, LOWER ACCESS PNT (M8, M9)			
11	0121R00317PDG	PANEL, LOWER ACCESS PNT (M7, M10, M11, M12, M13, M14, M15, M16, M17, M18, M19)			
11	0121R00322PDG	PANEL, LOWER ACCESS PNT (M1, M2, M3, M4, M5, M6)			
21	0121R00053PDG	CONTROL COVER (M1, M2, M3, M4, M5, M6)			
21	0121R00054PDG	CONTROL COVER (M7, M8, M9, M10, M11, M12, M13, M14, M15, M16, M17, M18, M19)			
31	PCBGR102	PCB, CONTROL, 2 STG, AC			
41	CAP050350440RS	CAPACITOR 5/35/440V (M1, M2, M3)			
41	CAP050400440RT	CAPACITOR 5/40/440V (M4, M5, M6, M13, M14, M15)			
41	CAP050450440RT	CAPACITOR 5/45/440V (M7, M8, M9, M16, M17)			
41	CAP050800440RT	CAPACITOR 5/80/440V (M10, M11, M12, M18, M19)			
51	0121R00213	CAPACITOR STRAP (QTY 2)			
91	0159R00006	WIRE ASSY, ECM MOTOR (M13, M14, M15, M16, M17, M18, M19)			
91	0159R00005	WIRE ASSY, PSC MOTOR (M1, M2, M3, M4, M5, M6, M7, M8, M9, M10, M11, M12)			
111	0130M00054	OUTDOOR AIR TEMP SENSOR			
NS	0161R00009P	NAMEPLATE			

Expanded Model Nomenclature

- M1 - DSXC160241AA
- M2 - DSXC160241AB
- M3 - DSXC160241AC
- M4 - DSXC160361AA
- M5 - DSXC160361AB
- M6 - DSXC160361AC
- M7 - DSXC160481AA
- M8 - DSXC160481BA
- M9 - DSXC160481BB
- M10 - DSXC160601AA
- M11 - DSXC160601BA
- M12 - DSXC160601BB
- M13 - DSXC180361AA
- M14 - DSXC180361AB
- M15 - DSXC180361AC
- M16 - DSXC180481AA
- M17 - DSXC180481AB
- M18 - DSXC180601AA
- M19 - DSXC180601AB

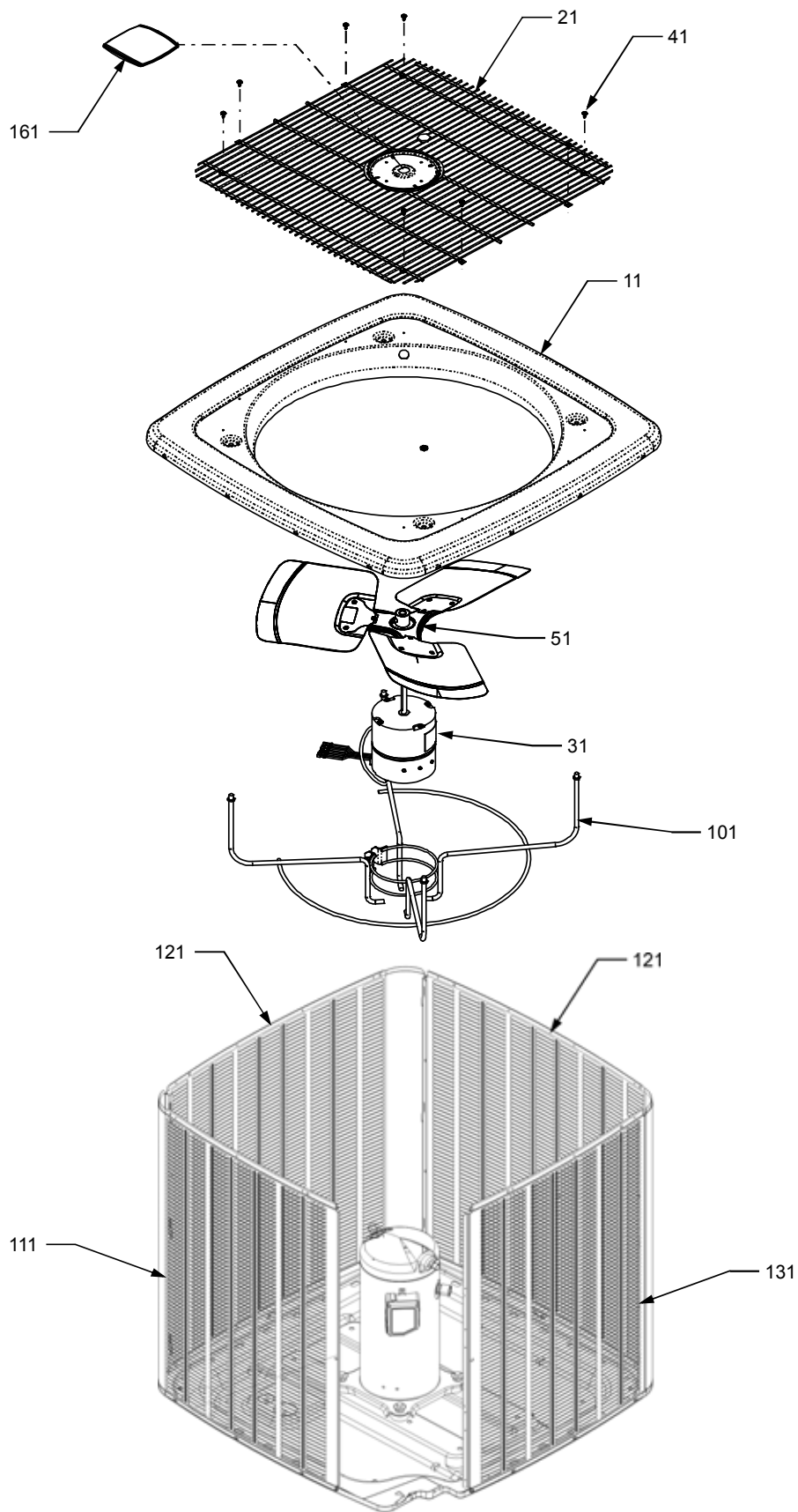
Basepan / Compressor / Tubing Assembly



Basepan / Compressor / Tubing Assembly

Ref. Part No: No:	Description:	Ref. Part No: No:	Description:
<i>Image 1:</i>		Expanded Model Nomenclature	
11	0201R00047 TUBING ASSY, COND COIL (M7, M10, M11, M12, M13, M14, M15)	M1 - DSXC160241AA	
11	0201R00137 TUBING ASSY, COND COIL (M16, M17, M18, M19)	M2 - DSXC160241AB	
11	0201R00296 TUBING ASSY, COND COIL (M1, M2, M3, M4, M5, M6)	M3 - DSXC160241AC	
21	B12825171 3/8" SERVICE VALVE	M4 - DSXC160361AA	
31	0151R00032 VALVE, BASE 3/4" OPEN LEFT (M1, M2, M3, M4, M5, M6)	M5 - DSXC160361AB	
31	0151R00033 VALVE, BASE 7/8" OPEN LEFT (M7, M8, M9, M10, M11, M12, M13, M14, M15, M16, M17, M18, M19)	M6 - DSXC160361AC	
41	0121R00006PDG BASE PAN 29" (M1, M2, M3, M4, M5, M6)	M7 - DSXC160481AA	
41	0121R00007PDG BASE PAN 35" (M7, M8, M9, M10, M11, M12, M13, M14, M15, M16, M17, M18, M19)	M8 - DSXC160481BA	
51	0130R00002 LOW PRESSURE SWITCH (M1, M4, M7, M13, M16, M18)	M9 - DSXC160481BB	
61	0130R00003 HIGH PRESSURE SWITCH (M1, M4, M7, M13, M16, M18)	M10 - DSXC160601AA	
71	M0221641 TF SHOULDER SCREW (QTY 4)	M11 - DSXC160601BA	
131	0162R00009 FILTER DRIER	M12 - DSXC160601BB	
151	ZPS20K5EPFV230 COMP, 20000,208/230 (M3)	M13 - DSXC180361AA	
151	ZPS30K5EPFV230 COMP,30000,208/230 (M6, M13, M14, M15)	M14 - DSXC180361AB	
151	ZPS49K4EPFV230 COMP,49200,208/230/60/1/2STG (M11, M12)	M15 - DSXC180361AC	
151	ZPS20K4EPFV230 COMPRESSOR 20000, 208/230/60/1/2STG (M1, M2)	M16 - DSXC180481AA	
151	ZPS30K4EPFV230 COMPRESSOR 30000, 208/230/60/1/2STG (M4, M5)	M17 - DSXC180481AB	
151	ZPS40K4EPFV230 COMPRESSOR 40000, 208/230/60/1/2STG (M7, M8, M9, M16, M17)	M18 - DSXC180601AA	
151	ZPS51K4EPFV230 COMPRESSOR 52000, 208/230/60/1/2STG (M10, M18, M19)	M19 - DSXC180601AB	
161	0164M00018 COMPRESSOR GROMMET (M13, M14, M15, M16, M17, M18, M19)		
161	B1339533 COMPRESSOR GROMMET (M1, M2, M3, M4, M5, M6, M7, M8, M9, M10, M11, M12)		
171	0130R00003 HIGH PRESSURE SWITCH (M2, M3, M5, M6, M8, M9, M10, M11, M12, M14, M15, M17, M19)		
181	0130M00086 LOW PRESSURE SWITCH (M2, M3, M5, M6, M8, M9, M10, M11, M12, M14, M15, M17, M19)		

Cabinet Top / Side Panels



Cabinet Top / Side Panels

**Ref. Part
No: No:**

Description:

**Ref. Part
No: No:**

Description:

Image 1:

11	0121R00011PDG	VENTURI TOP PANEL 29" (M1, M2, M3, M4, M5, M6)
11	0121R00013PDG	VENTURI TOP PANEL 35" (M7, M8, M9, M10, M11, M12, M13, M14, M15, M16, M17, M18, M19)
21	0152R00011	GRILLE, WIRE 29" TOP (M1, M2, M3, M4, M5, M6)
21	0152R00012	GRILLE, WIRE 35" TOP (M7, M8, M9, M10, M11, M12, M13, M14, M15, M16, M17, M18, M19)
31	0131M00115	MOTOR 1/6 HP 2SP 8PL (M7, M8, M9, M10, M11, M12)
31	0131M00117	MOTOR, 1/6HP, 2SP, 8PL (M1, M2, M3)
31	0131M00118	MOTOR, 1/6HP, 2SP, 8PL (M4, M5, M6)
31	0131M00129	MOTOR, ECM (M13, M14, M15, M16, M17, M18, M19)
41	0163M00003P	SCREW #10 X 1/2, A, SLOT, SR, BLACK (QTY A/R)
51	0150M00008	FAN BLADE 22" TNT2203-25 (M1, M2, M3)
51	0150M00010	FAN BLADE 26" ALUM CCW (M13, M14, M15, M16, M17, M18, M19)
51	10625738	FAN BLADE 26" ALUM CCW (M7, M8, M9, M10, M11, M12)
51	B1086764	FAN BLADE TYPE 2 (M4, M5, M6)
101	0121R00301	BRACKET, MOTOR MOUNT (M13, M14, M15, M16, M17, M18, M19)
111	0121R00043PDGB	LOUVERED SIDE PANEL [LT OF CNTL PNL] (M7, M10, M11, M12)
111	0121R00125PDGB	LOUVERED SIDE PANEL [LT OF CNTL PNL] (M1, M2, M3, M4, M5, M6)
111	0121R00228PDGB	LOUVERED SIDE PANEL [LT OF CNTL PNL] (M8, M9)
111	0270R00484DGB	LOUVERED SIDE PANEL [LT OF CNTL PNL] (M13, M14, M15, M16, M17, M18, M19)
121	0121R00047PDGB	LOUVERED SIDE PANEL (M7, M10, M11, M12)
121	0121R00132PDGB	LOUVERED SIDE PANEL (M1, M2, M3, M4, M5, M6)
121	0121R00231PDGB	LOUVERED SIDE PANEL (M8, M9)
121	0270R00485DGB	LOUVERED SIDE PANEL (M13, M14, M15, M16, M17, M18, M19)
131	0121R00051PDG	LOUVERED SIDE PANEL [RT OF CNTL PNL] (M7, M10, M11, M12)
131	0121R00139PDG	LOUVERED SIDE PANEL [RT OF CNTL PNL] (M1, M2, M3, M4, M5, M6)
131	0121R00234PDG	LOUVERED SIDE PANEL [RT OF CNTL PNL] (M8, M9)
131	0270R00486DG	LOUVERED SIDE PANEL [RT OF CNTL PNL] (M13, M14, M15, M16, M17, M18, M19)
161	0161R00024	GRILL CAP
NS	0161R00002P	CONDUIT (M1, M2, M3, M4, M5, M6)
NS	0161R00004P	CONDUIT (M7, M8, M9, M10, M11, M12)

Expanded Model Nomenclature

M1 - DSXC160241AA
M2 - DSXC160241AB
M3 - DSXC160241AC
M4 - DSXC160361AA
M5 - DSXC160361AB
M6 - DSXC160361AC
M7 - DSXC160481AA
M8 - DSXC160481BA
M9 - DSXC160481BB
M10 - DSXC160601AA
M11 - DSXC160601BA
M12 - DSXC160601BB
M13 - DSXC180361AA
M14 - DSXC180361AB
M15 - DSXC180361AC
M16 - DSXC180481AA
M17 - DSXC180481AB
M18 - DSXC180601AA
M19 - DSXC180601AB