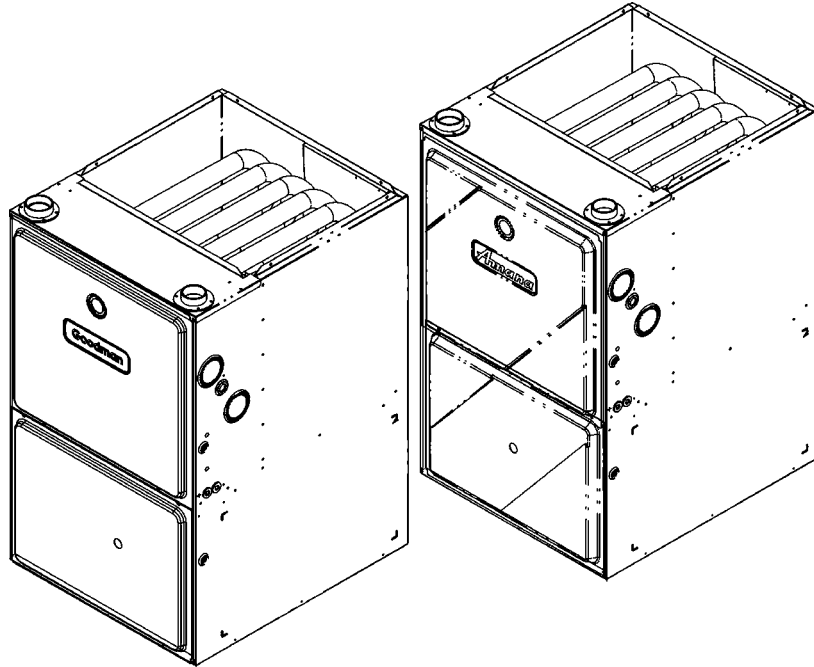


# REPAIR PARTS

## \*MVM96 Variable Speed Furnace

AMVM960603BXAA  
AMVM960603BXBA  
AMVM960805CXAA  
AMVM960805CXBA  
AMVM961005DXAA  
AMVM961005DXBA  
AMVM961155DXAA  
AMVM961155DXBA  
GMVM960603BXAA  
GMVM960603BXBA  
GMVM960805CXAA  
GMVM960805CXBA  
GMVM961005DXAA  
GMVM961005DXBA  
GMVM961155DXAA  
GMVM961155DXBA



This manual is to be used by qualified technicians only.

This manual replaces RP-653.

© 2011-2012 Goodman Manufacturing Company, L.P. ♦ 5151 San Felipe, Suite 500 ♦ Houston, TX 77056

# Important Information

---

## Index

Functional Parts List .....	3
Illustration and Parts .....	4 - 11

*Views shown are for parts illustrations only, not servicing procedures.*

Rev A: Addition of B\* revision models for New Energy Star Program Requirement

### Text Codes:

AR - As Required

NA - Not Available

NS - Not Shown

00000000 - See Note

QTY - Quantity Example (QTY 3) (If Quantity not shown, Quantity = 1)

M - Model Example (M1) (If M Code not shown, then part is used on all Models)

### Expanded Model Nomenclature:

Example M1 - Model#1 M2 - Model#2 M3 - Model#3
---

Goodman Manufacturing Company, L.P. is not responsible for personal injury or property damage resulting from improper service. Review all service information before beginning repairs.

Warranty service must be performed by an authorized technician, using authorized factory parts. If service is required after the warranty expires, Goodman Manufacturing Company, L.P. also recommends contacting an authorized technician and using authorized factory parts.

Goodman Manufacturing Company, L.P. reserves the right to discontinue, or change at any time, specifications or designs without notice or without incurring obligations.

For assistance within the U.S.A. contact:  
Consumer Affairs Department  
Goodman Manufacturing Company, L.P.  
7401 Security Way  
Houston, Texas 77040  
877-254-4729-Telephone  
713-863-2382-Facsimile

For assistance outside the U.S.A. contact:  
International Division  
Goodman Manufacturing Company, L.P.  
7401 Security Way  
Houston, Texas 77040  
713-861-2500-Telephone  
713-863-2382-Facsimile

# Functional Parts

**Part  
No:**

**Description:**

Expanded Model Nomenclature

10735102	BECKETT BURNER (QTY A/R)
B1368016	BLOWER WHEEL 10 X 8 (M1, M2, M9, M10)
0130F00010	FLAME SENSOR
0151M00024	GAS VALVE
0130F00008	IGNITOR-SINI 17 SEC
B1141666	INDUCTOR-5.9 AMP
0130F00123	LIMIT, RESET MAN (QTY 2)
0131M00272	MOTOR, 1 HP, SERIAL ECM (M3, M4, M5, M6, M7, M8, M11, M12, M13, M14, M15, M16)
0131M00271	MOTOR, 3/4 HP, SERIAL ECM (M1, M2, M9, M10)
PCBKF200	PCB, CONTROL, FURNACE
0130F00156	PRESSURE SWITCH (M7, M8, M15, M16)
0130F00155	PRESSURE SWITCH (M1, M2, M3, M4, M9, M10, M11, M12)
0130F00154	PRESSURE SWITCH (M5, M6, M13, M14)
20197308	PRESSURE SWITCH-YELLOW
20162907	PRIMARY LIMIT (M7, M8, M15, M16)
0130M00063	PRIMARY LIMIT - GOLD 140° (M1, M2, M9, M10)
0130F00038	PRIMARY LIMIT - LT BLUE 120° (QTY 2)
20162905	PRIMARY LIMIT-YELLOW (M3, M4, M5, M6, M11, M12, M13, M14)
B1141605	TRANSFORMER 120V TO 24V, 40 VA (M3, M4, M5, M6, M7, M8, M11, M12, M13, M14, M15, M16)
B1141605	TRANSFORMER 120V TO 24V, 40 VA (M1, M2, M9, M10)
D6723311	WHEEL-BLOWER (M3, M4, M5, M6, M7, M8, M11, M12, M13, M14, M15, M16)

M1 - AMVM960603BXAA
M2 - AMVM960603BXBA
M3 - AMVM960805CXAA
M4 - AMVM960805CXBA
M5 - AMVM961005DXAA
M6 - AMVM961005DXBA
M7 - AMVM961155DXAA
M8 - AMVM961155DXBA
M9 - GMVM960603BXAA
M10 - GMVM960603BXBA
M11 - GMVM960805CXAA
M12 - GMVM960805CXBA
M13 - GMVM961005DXAA
M14 - GMVM961005DXBA
M15 - GMVM961155DXAA
M16 - GMVM961155DXBA

## SPECIAL PARTS

0161M00003P	AMANA NAMEPLATE (M1, M2, M3, M4, M5, M6, M7, M8)
0161F00000P	GOODMAN NAMEPLATE (M9, M10, M11, M12, M13, M14, M15, M16)

# Cabinet

Image 1

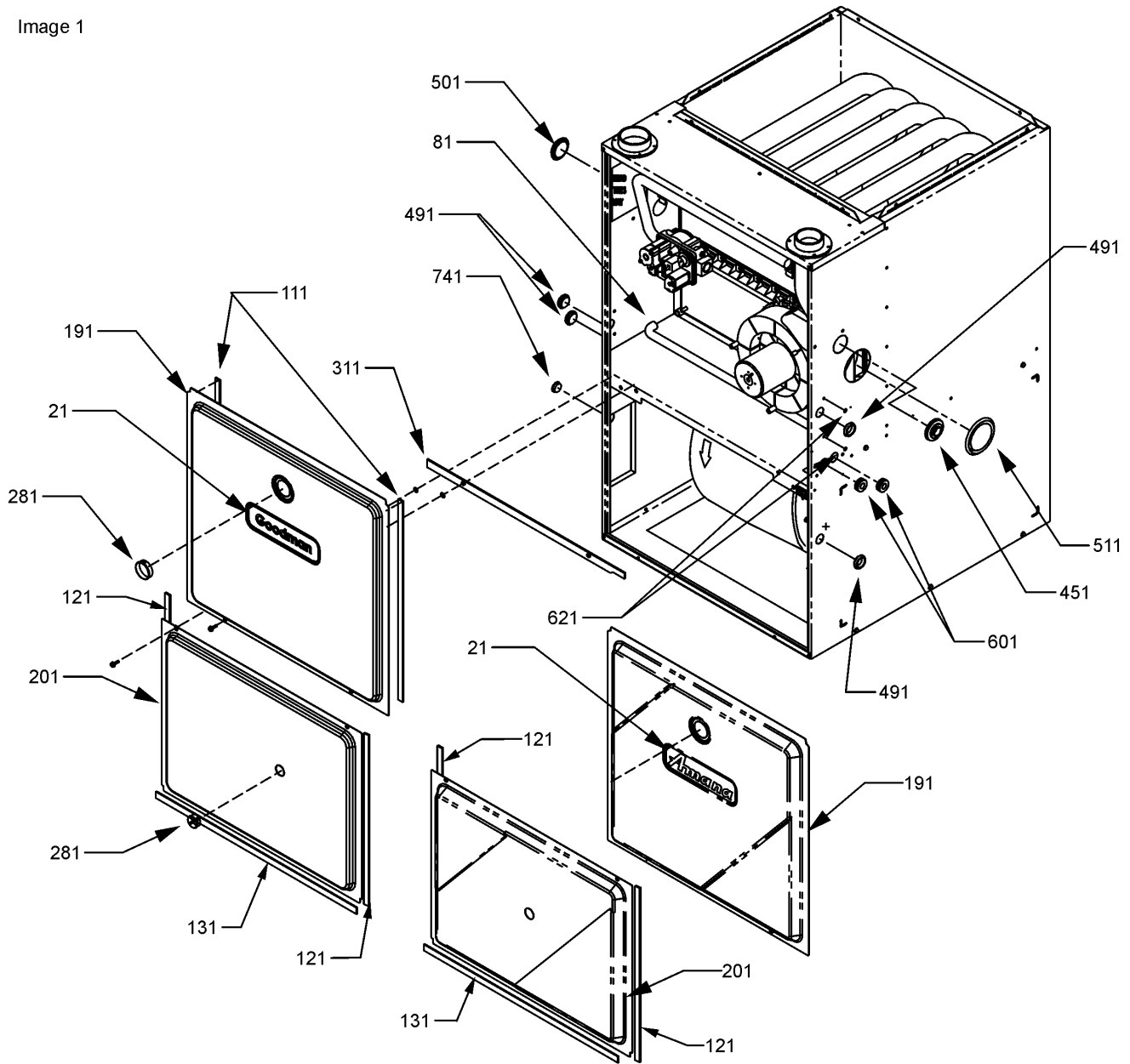
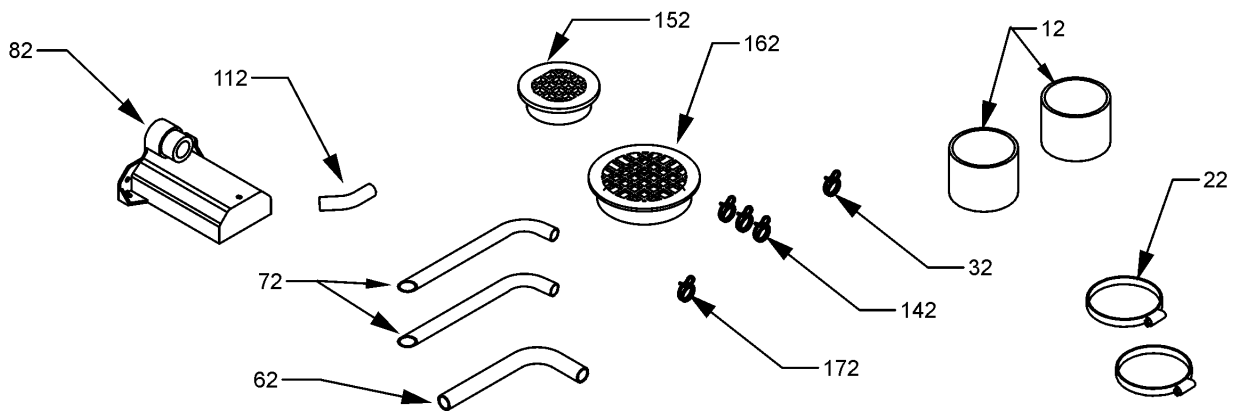


Image 2



# Cabinet

**Ref. Part  
No: No:**

**Description:**

**Ref. Part  
No: No:**

**Description:**

*Image 1:*

21	0161M00003P	AMANA NAMEPLATE (M1, M2, M3, M4, M5, M6, M7, M8)
21	0161F00000P	GOODMAN NAMEPLATE (M9, M10, M11, M12, M13, M14, M15, M16)
81	20201902	DRAIN HOSE
111	20179308	GASKET (QTY 2)
121	20179311	GASKET (QTY 2)
131	20179311	GASKET (M1, M2, M9, M10)
131	20179312	GASKET (M3, M4, M11, M12)
131	20179313	GASKET (M5, M6, M7, M8, M13, M14, M15, M16)
191	0121F00066LG	ACCESS DOOR (M1, M2)
191	0121F00067LG	ACCESS DOOR (M3, M4)
191	0121F00068LG	ACCESS DOOR (M5, M6, M7, M8)
191	0121F00072DG	ACCESS DOOR (M9, M10)
191	0121F00073DG	ACCESS DOOR (M11, M12)
191	0121F00074DG	ACCESS DOOR (M13, M14, M15, M16)
201	0121F00063LG	BLOWER DOOR (M1, M2)
201	0121F00064LG	BLOWER DOOR (M3, M4)
201	0121F00065LG	BLOWER DOOR (M5, M6, M7, M8)
201	0121F00069DG	BLOWER DOOR (M9, M10)
201	0121F00070DG	BLOWER DOOR (M11, M12)
201	0121F00071DG	BLOWER DOOR (M13, M14, M15, M16)
281	B1392139	VIEW PORT BUSHING-BLOWER DOOR (QTY 2)
311	22320001	DECK GASKET (M1, M2, M9, M10)
311	22320002	DECK GASKET (M3, M4, M11, M12)
311	22320003	DECK GASKET (M5, M6, M7, M8, M13, M14, M15, M16)
451	M0501301	PIPE GROMMET
491	M0570808	BUTTON PLUG (QTY 4)
501	M0570806	BUTTON PLUG
511	M0570807	BUTTON PLUG
601	A4691701	GROMMET (QTY 2)
621	M0310345	BUTTON PLUG (QTY A/R)
741	B1392104	UNIVERSAL BUSHING UB 875
NS	10195517	STANDPIPE BAG ASSY

*Image 2:*

12	10254303	RUBBER COUPLING
22	0163M00049	HOSE CLAMP (QTY 2)
32	M0119207	HOSE CLAMP
62	20201901	DRAIN HOSE
72	20201802	DRAIN TUBE (QTY 2)
82	20171701	DRAIN TRAP
112	20214203	DRAIN ANGLE
142	M0119205	HOSE CLAMP (QTY 3)
152	B2810816	2" MESH INSERT
162	B2810814	3" MESH INSERT

*Image 2:*

172	M0119206	HOSE CLAMP
-----	----------	------------

Expanded Model Nomenclature

M1 - AMVM960603BXAA
M2 - AMVM960603BXBA
M3 - AMVM960805CXAA
M4 - AMVM960805CXBA
M5 - AMVM961005DXAA
M6 - AMVM961005DXBA
M7 - AMVM961155DXAA
M8 - AMVM961155DXBA
M9 - GMVM960603BXAA
M10 - GMVM960603BXBA
M11 - GMVM960805CXAA
M12 - GMVM960805CXBA
M13 - GMVM961005DXAA
M14 - GMVM961005DXBA
M15 - GMVM961155DXAA
M16 - GMVM961155DXBA

# Blower Assembly

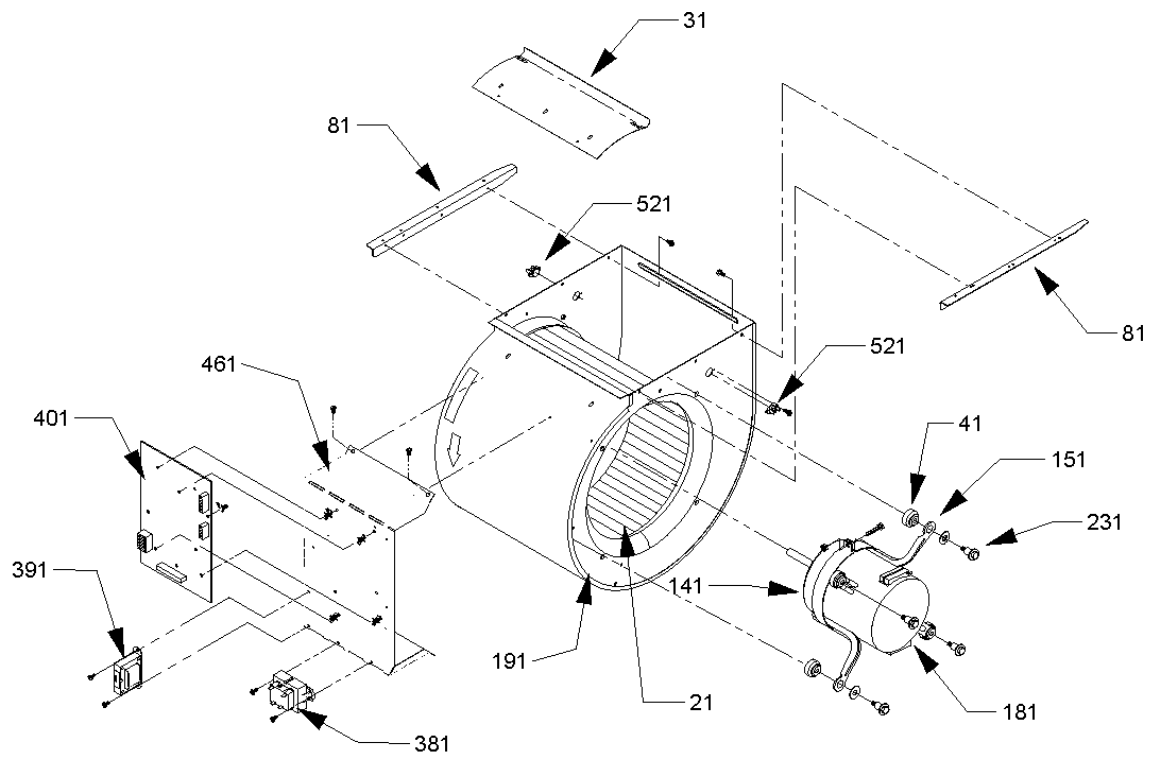
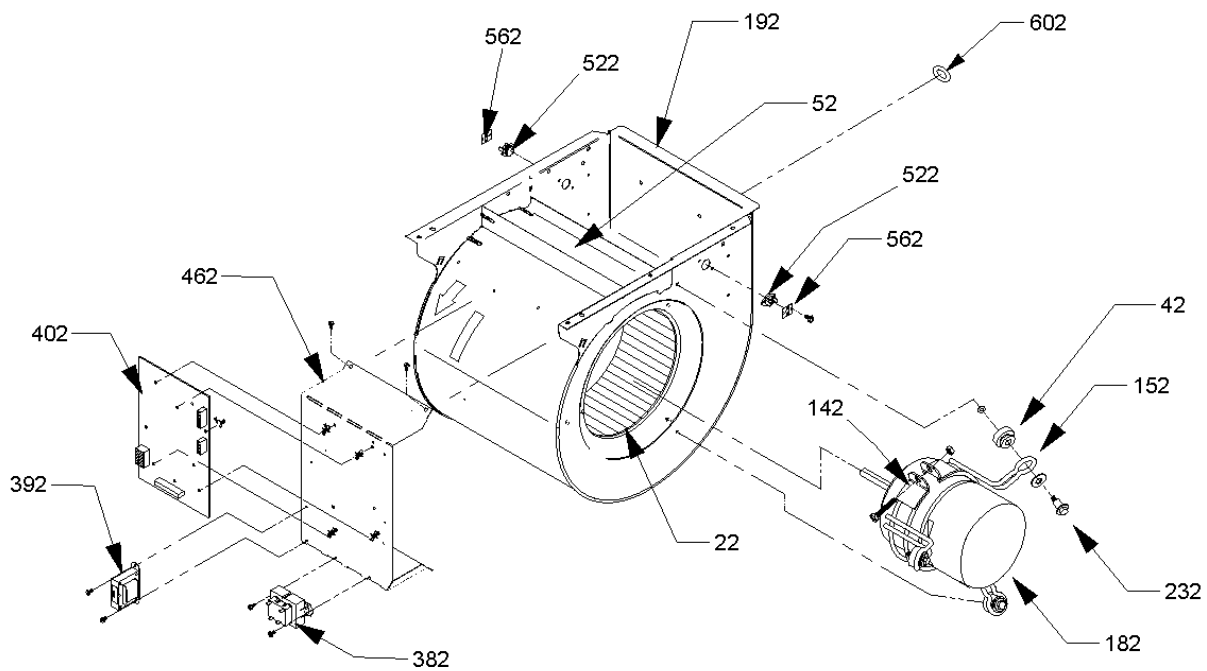


Image 1

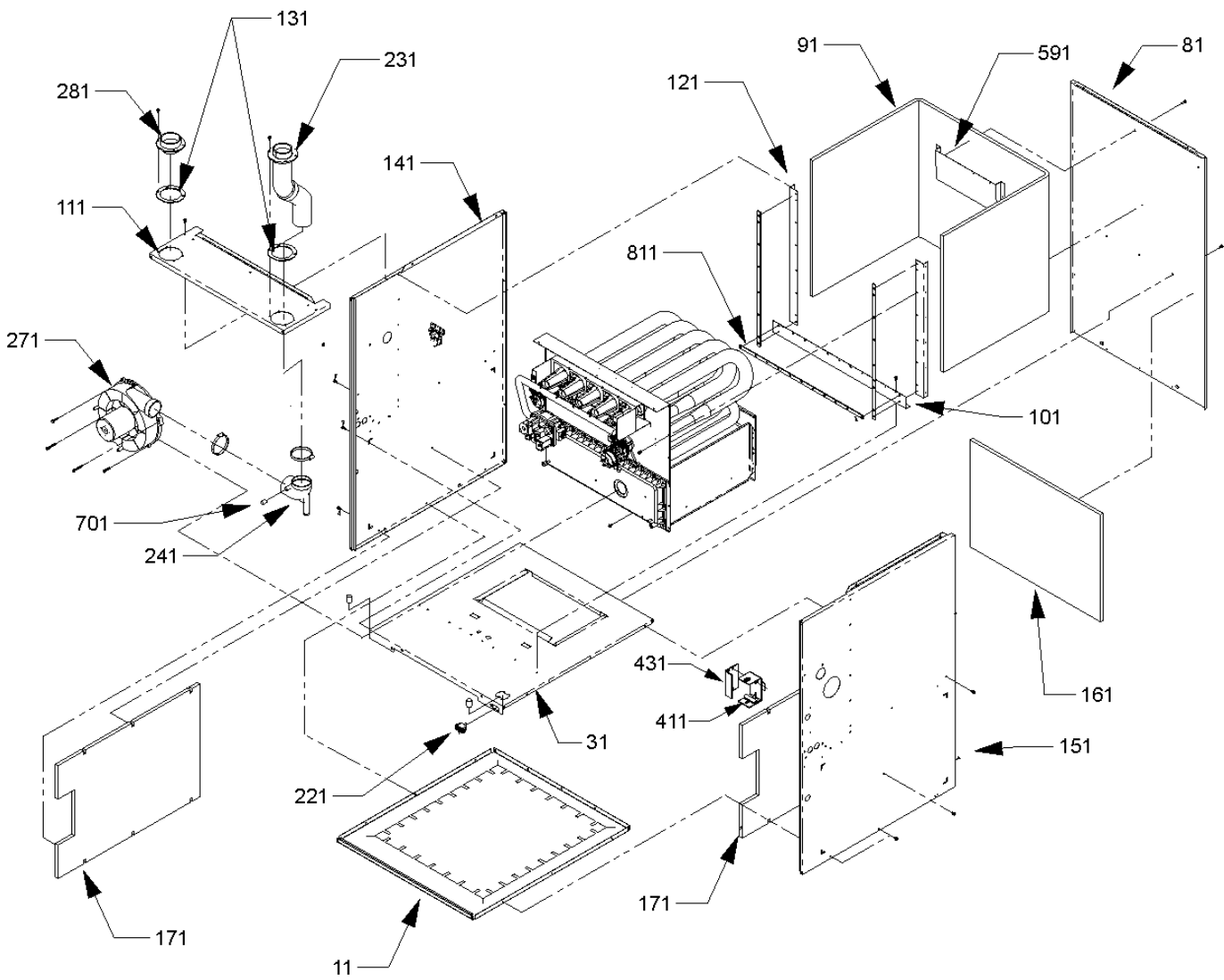
Image 2



# Blower Assembly

Ref. Part No:	No:	Description:	Ref. Part No:	No:	Description:
<i>Image 1:</i>			<i>Image 2:</i>		
21	D6723311	WHEEL-BLOWER (M3, M4, M5, M6, M7, M8, M11, M12, M13, M14, M15, M16)	142	0121M00038	MOTOR MOUNT BAND (M1, M2, M9, M10)
31	C6121807	BLOWER CUT-OFF (M3, M4, M5, M6, M7, M8, M11, M12, M13, M14, M15, M16)	152	B1376857	MOTOR MOUNT ARM (M1, M2, M9, M10)
41	A4002702	BLOWER MOTOR GROMMET (M3, M4, M5, M6, M7, M8, M11, M12, M13, M14, M15, M16)	182	0131M00271	MOTOR, 3/4 HP, SERIAL ECM (M1, M2, M9, M10)
81	20175101	BLOWER SIDE RAIL (M3, M4, M5, M6, M7, M8, M11, M12, M13, M14, M15, M16)	192	0271F00074	BLOWER HOUSING ASSY 10 X 8 (M1, M2, M9, M10)
141	10441601	MOTOR MOUNT BAND (M3, M4, M5, M6, M7, M8, M11, M12, M13, M14, M15, M16)	232	M0250565	TC SCREW 1.25" (M1, M2, M9, M10)
151	10441501	MOTOR MOUNT ARM (M3, M4, M5, M6, M7, M8, M11, M12, M13, M14, M15, M16)	382	B1141605	TRANSFORMER 120V TO 24V, 40 VA (M1, M2, M9, M10)
181	0131M00272	MOTOR, 1 HP, SERIAL ECM (M3, M4, M5, M6, M7, M8, M11, M12, M13, M14, M15, M16)	392	B1141666	INDUCTOR-5.9 AMP (M1, M2, M9, M10)
191	0271F00047	BLOWER HOUSING ASSY 11 X 10 (M3, M4, M5, M6, M7, M8, M11, M12, M13, M14, M15, M16)	402	PCBKF200	PCB, CONTROL, FURNACE (M1, M2, M9, M10)
231	M0221461	TC SCREW (M3, M4, M5, M6, M7, M8, M11, M12, M13, M14, M15, M16)	462	0121F00094	CONTROL MOUNT PANEL (M1, M2, M9, M10)
381	B1141605	TRANSFORMER 120V TO 24V, 40 VA (M3, M4, M5, M6, M7, M8, M11, M12, M13, M14, M15, M16)	522	0130F00038	PRIMARY LIMIT - LT BLUE 120° (M1, M2, M9, M10)
391	B1141666	INDUCTOR-5.9 AMP (M3, M4, M5, M6, M7, M8, M11, M12, M13, M14, M15, M16)	562	2509503F	AUXILIARY LIMIT BRACKET (M1, M2, M9, M10)
401	PCBKF200	PCB, CONTROL, FURNACE (M3, M4, M5, M6, M7, M8, M11, M12, M13, M14, M15, M16)	602	B1392021	PLASTIC PLUG, 1" (2713-BLK) (M1, M2, M9, M10)
461	0121F00094	CONTROL MOUNT PANEL (M3, M4, M5, M6, M7, M8, M11, M12, M13, M14, M15, M16)	NS	0259F00040	CONTROL HARNESS (M1, M2, M9, M10)
521	0130F00038	LIMIT, PRIMARY, 120, LT BLUE (M3, M4, M5, M6, M7, M8, M11, M12, M13, M14, M15, M16)	NS	0159F00021	HARNESS, WIRING (M1, M2, M9, M10)
NS	0259F00040	CONTROL HARNESS (M3, M4, M5, M6, M7, M8, M11, M12, M13, M14, M15, M16)	NS	0130F00159	MEMORY CHIP (M1)
NS	0159F00021	HARNESS, WIRING (M3, M4, M5, M6, M7, M8, M11, M12, M13, M14, M15, M16)	NS	0130F00166	MEMORY CHIP (M9)
NS	0130F00160	MEMORY CHIP (M3)	NS	0130F00314	MEMORY CHIP (M10)
NS	0130F00161	MEMORY CHIP (M5)	NS	0130F00328	MEMORY CHIP (M2)
NS	0130F00162	MEMORY CHIP (M7)	NS	0259F00041	POWER HARNESS HIGH VOLTAGE (M1, M2, M9, M10)
NS	0130F00167	MEMORY CHIP (M11)	NS	0259F00024	WIRE HARNESS-BLOWER (M1, M2, M9, M10)
NS	0130F00168	MEMORY CHIP (M13)	<b>Expanded Model Nomenclature</b>		
NS	0130F00169	MEMORY CHIP (M15)	M1 - AMVM960603BXAA		
NS	0130F00315	MEMORY CHIP (M12)	M2 - AMVM960603BXBA		
NS	0130F00316	MEMORY CHIP (M14)	M3 - AMVM960805CXAA		
NS	0130F00317	MEMORY CHIP (M16)	M4 - AMVM960805CXBA		
NS	0130F00329	MEMORY CHIP (M4)	M5 - AMVM961005DXAA		
NS	0130F00330	MEMORY CHIP (M6)	M6 - AMVM961005DXBA		
NS	0130F00331	MEMORY CHIP (M8)	M7 - AMVM961155DXAA		
NS	0259F00041	POWER HARNESS (M3, M4, M5, M6, M7, M8, M11, M12, M13, M14, M15, M16)	M8 - AMVM961155DXBA		
NS	0259F00024	WIRE HARNESS-BLOWER (M3, M4, M5, M6, M7, M8, M11, M12, M13, M14, M15, M16)	M9 - GMVM960603BXAA		
<i>Image 2:</i>			M10 - GMVM960603BXBA		
22	B1368016	BLOWER WHEEL 10 X 8 (M1, M2, M9, M10)	M11 - GMVM960805CXAA		
42	A4002702	BLOWER MOTOR GROMMET (M1, M2, M9, M10)	M12 - GMVM960805CXBA		
52	764740	BLWR BLK-OFF, 10X8 (M1, M2, M9, M10)	M13 - GMVM961005DXAA		
			M14 - GMVM961005DXBA		
			M15 - GMVM961155DXAA		
			M16 - GMVM961155DXBA		

# Chassis

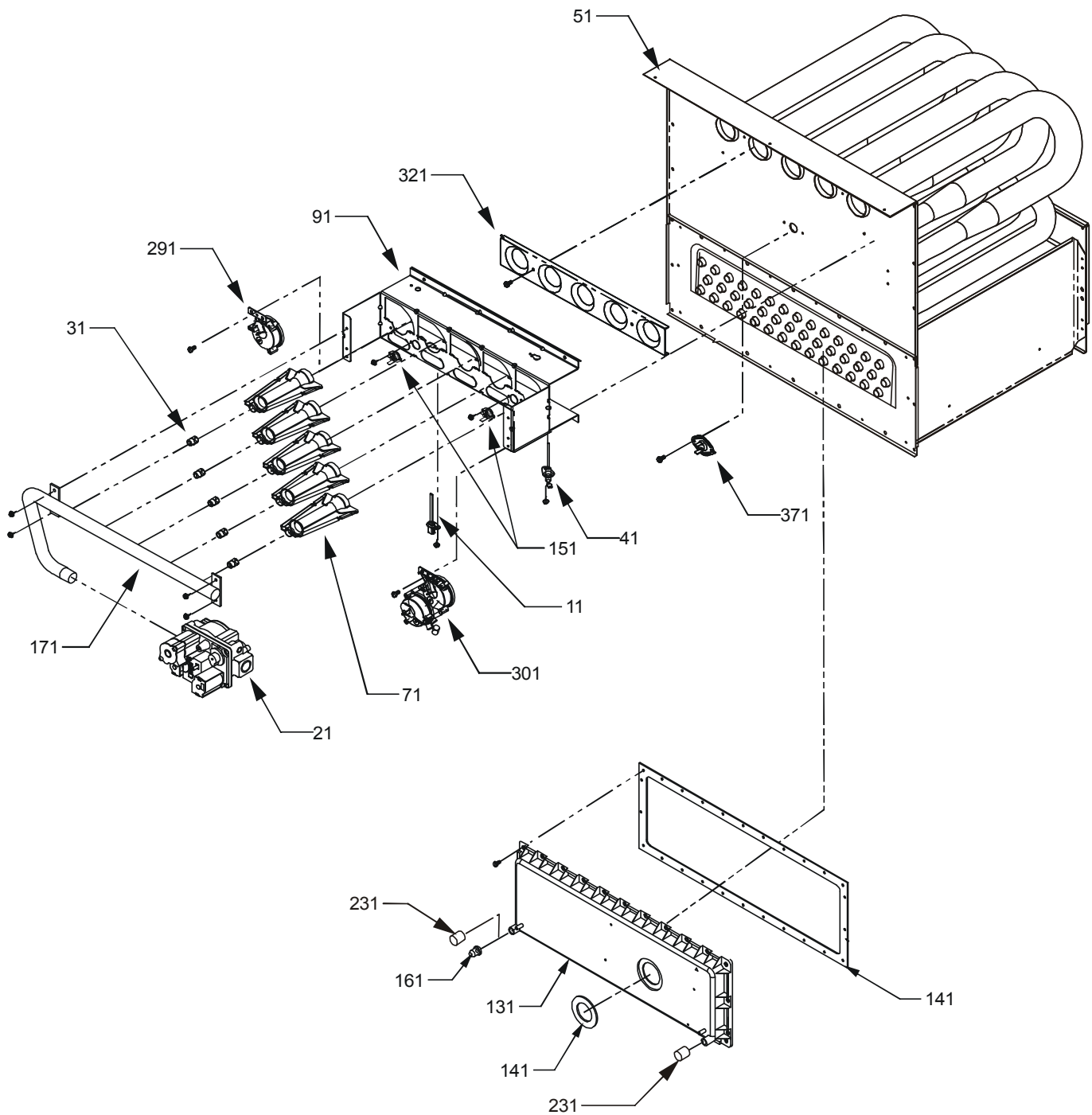




# Chassis

Ref. Part No:	No:	Description:	Ref. Part No:	No:	Description:																
<i>Image 1:</i>			<i>Image 1:</i>																		
11	0121F00050DG	BASE PAN (M1, M2, M9, M10)	NS	0164M00013	PRESSURE SWITCH HOSE (M3, M4, M11, M12)																
11	0121F00051DG	BASE PAN (M3, M4, M11, M12)	NS	0164M00014	PRESSURE SWITCH HOSE (M5, M6, M7, M8, M13, M14, M15, M16)																
11	0121F00052DG	BASE PAN (M5, M6, M7, M8, M13, M14, M15, M16)	NS	0164M00015	PRESSURE SWITCH HOSE																
31	0121F00043	BLOWER DECK (M1, M2, M9, M10)	NS	0164M00020	PRESSURE SWITCH HOSE (M1, M2, M9, M10)																
31	0121F00048	BLOWER DECK (M5, M6, M7, M8, M13, M14, M15, M16)	<b>Expanded Model Nomenclature</b>																		
31	0121F00246	BLOWER DECK (M3, M4, M11, M12)	<table border="1"> <tr><td>M1 - AMVM960603BXAA</td></tr> <tr><td>M2 - AMVM960603BXBA</td></tr> <tr><td>M3 - AMVM960805CXAA</td></tr> <tr><td>M4 - AMVM960805CXBA</td></tr> <tr><td>M5 - AMVM961005DXAA</td></tr> <tr><td>M6 - AMVM961005DXBA</td></tr> <tr><td>M7 - AMVM961155DXAA</td></tr> <tr><td>M8 - AMVM961155DXBA</td></tr> <tr><td>M9 - GMVM960603BXAA</td></tr> <tr><td>M10 - GMVM960603BXBA</td></tr> <tr><td>M11 - GMVM960805CXAA</td></tr> <tr><td>M12 - GMVM960805CXBA</td></tr> <tr><td>M13 - GMVM961005DXAA</td></tr> <tr><td>M14 - GMVM961005DXBA</td></tr> <tr><td>M15 - GMVM961155DXAA</td></tr> <tr><td>M16 - GMVM961155DXBA</td></tr> </table>			M1 - AMVM960603BXAA	M2 - AMVM960603BXBA	M3 - AMVM960805CXAA	M4 - AMVM960805CXBA	M5 - AMVM961005DXAA	M6 - AMVM961005DXBA	M7 - AMVM961155DXAA	M8 - AMVM961155DXBA	M9 - GMVM960603BXAA	M10 - GMVM960603BXBA	M11 - GMVM960805CXAA	M12 - GMVM960805CXBA	M13 - GMVM961005DXAA	M14 - GMVM961005DXBA	M15 - GMVM961155DXAA	M16 - GMVM961155DXBA
M1 - AMVM960603BXAA																					
M2 - AMVM960603BXBA																					
M3 - AMVM960805CXAA																					
M4 - AMVM960805CXBA																					
M5 - AMVM961005DXAA																					
M6 - AMVM961005DXBA																					
M7 - AMVM961155DXAA																					
M8 - AMVM961155DXBA																					
M9 - GMVM960603BXAA																					
M10 - GMVM960603BXBA																					
M11 - GMVM960805CXAA																					
M12 - GMVM960805CXBA																					
M13 - GMVM961005DXAA																					
M14 - GMVM961005DXBA																					
M15 - GMVM961155DXAA																					
M16 - GMVM961155DXBA																					
81	20273207	BACK PANEL (M1, M2, M9, M10)																			
81	20273209	BACK PANEL (M3, M4, M11, M12)																			
81	20273211	BACK PANEL (M5, M6, M7, M8, M13, M14, M15, M16)																			
91	C6415909	HEAT EXCHANGER INSULATION (M5, M6, M7, M8, M13, M14, M15, M16)																			
91	C6415910	HEAT EXCHANGER INSULATION (M1, M2, M9, M10)																			
91	C6415911	HEAT EXCHANGER INSULATION (M3, M4, M11, M12)																			
101	0121F00018P	DECK RAIL (M1, M2, M9, M10)																			
101	0121F00019P	DECK RAIL (M3, M4, M11, M12)																			
101	20191303	DECK RAIL (M5, M6, M7, M8, M13, M14, M15, M16)																			
111	0270F00100P	TOP COVER ASSY (M1, M2, M9, M10)																			
111	0270F00101P	TOP COVER ASSY (M3, M4, M11, M12)																			
111	0270F00102P	TOP COVER ASSY (M5, M6, M7, M8, M13, M14, M15, M16)																			
121	20191602	SIDE RAIL (M1, M2, M9, M10)																			
121	20191603	SIDE RAIL (M3, M4, M11, M12)																			
121	20191604	SIDE RAIL (M5, M6, M7, M8, M13, M14, M15, M16)																			
131	20215701	GASKET-FA																			
141	0121F00429DG	PANEL- SIDE LH UF FUR PNT																			
151	0121F00428DG	PANEL- SIDE RH UF FUR PNT																			
161	20006601	INSULATION (M1, M2, M9, M10)																			
161	20006602	INSULATION (M3, M4, M11, M12)																			
161	20006603	INSULATION (M5, M6, M7, M8, M13, M14, M15, M16)																			
171	20243503	SIDE INSULATION (QTY 2)																			
221	B1370818	INTERLOCK SWITCH																			
231	22309501	FLUE PIPE																			
241	20171802	ELBOW																			
271	0131F00024	MOTOR, ID BLOWER																			
281	20049701	FA COUPLING																			
411	0161F00012	JUNCTION BOX-PLA																			
431	0161F00013	JUNCTION BOX-LID																			
591	11165107	ID BLOWER SHIELD																			
701	M0326804	TUBE PLUG																			
811	20194607	GASKET (QTY 2)																			
NS	0164M00024	HOSE, PRESSURE SW																			
NS	0164M00007	PRESSURE SWITCH HOSE																			

# Heat Exchanger / Manifold / Gas Valve



# Heat Exchanger / Manifold / Gas Valve

Ref. Part No:	Ref. Part No:	Description:	Description:
<i>Image 1:</i>		Expanded Model Nomenclature	
11	0130F00008	IGNITOR-SINI 17 SEC	M1 - AMVM960603BXAA
21	0151M00024	GAS VALVE	M2 - AMVM960603BXBA
31	0163F00004	ORIFICE (M1, M2, M3, M4, M5, M6, M9, M10, M11, M12, M13, M14)	M3 - AMVM960805CXAA
31	10716003	ORIFICE (M7, M8, M15, M16)	M4 - AMVM960805CXBA
41	0130F00010	FLAME SENSOR	M5 - AMVM961005DXAA
51	0257F00221	HEAT EXCHANGER ASSY (M1, M2)	M6 - AMVM961005DXBA
51	0257F00222	HEAT EXCHANGER ASSY (M3, M4)	M7 - AMVM961155DXAA
51	0257F00223	HEAT EXCHANGER ASSY (M5, M6, M7, M8)	M8 - AMVM961155DXBA
51	0257F00227	HEAT EXCHANGER ASSY (M9, M10)	M9 - GMVM960603BXAA
51	0257F00228	HEAT EXCHANGER ASSY (M11, M12)	M10 - GMVM960603BXBA
51	0257F00229	HEAT EXCHANGER ASSY (M13, M14, M15, M16)	M11 - GMVM960805CXAA
71	10735102	BECKETT BURNER (QTY A/R)	M12 - GMVM960805CXBA
91	20190411	BURNER BRACKET 3B (M1, M2, M9, M10)	M13 - GMVM961005DXAA
91	20190412	BURNER BRACKET 4B (M3, M4, M11, M12)	M14 - GMVM961005DXBA
91	20190413	BURNER BRACKET 5B (M5, M6, M7, M8, M13, M14, M15, M16)	M15 - GMVM961155DXAA
131	20170809A	COVER-FRONT (M1, M2, M9, M10)	M16 - GMVM961155DXBA
131	20170908A	COVER-FRONT (M3, M4, M11, M12)	
131	20171004A	FRONT COVER (M5, M6, M7, M8, M13, M14, M15, M16)	
141	0154F00000P	COIL GASKET (M1, M2, M9, M10)	
141	0154F00001P	COIL GASKET (M3, M4, M11, M12)	
141	0154F00002P	COIL GASKET (M5, M6, M7, M8, M13, M14, M15, M16)	
151	0130F00123	LIMIT, RESET MAN (QTY 2)	
161	M0326804	TUBE PLUG	
171	20196402	MANIFOLD - 3 BRNR (M1, M2, M9, M10)	
171	20196403	MANIFOLD - 4 BRNR (M3, M4, M11, M12)	
171	20196404	MANIFOLD - 5 BRNR (M5, M6, M7, M8, M13, M14, M15, M16)	
231	A1781105	CAP-VINYL .500 (QTY 2)	
291	20197308	PRESSURE SWITCH-YELLOW	
301	0130F00154	PRESSURE SWITCH (M5, M6, M13, M14)	
301	0130F00155	PRESSURE SWITCH (M1, M2, M3, M4, M9, M10, M11, M12)	
301	0130F00156	PRESSURE SWITCH (M7, M8, M15, M16)	
321	0121F00265	ORIFICE SHIELD (M1, M2, M9, M10)	
321	0121F00266	ORIFICE SHIELD (M3, M4, M11, M12)	
321	0121F00267	ORIFICE SHIELD (M5, M6, M7, M8, M13, M14, M15, M16)	
371	20162907	PRIMARY LIMIT (M7, M8, M15, M16)	
371	0130M00063	PRIMARY LIMIT - GOLD 140° (M1, M2, M9, M10)	
371	20162905	PRIMARY LIMIT-YELLOW (M3, M4, M5, M6, M11, M12, M13, M14)	