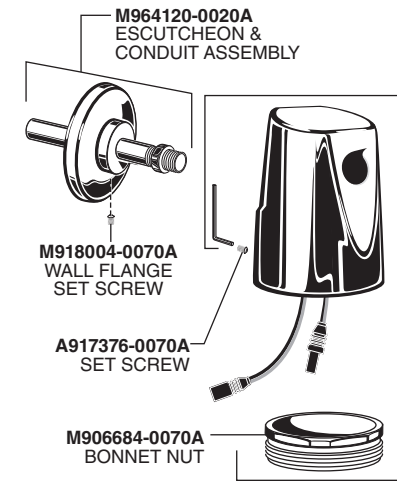
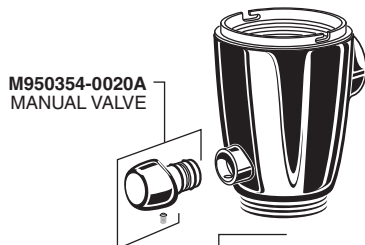
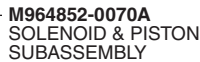
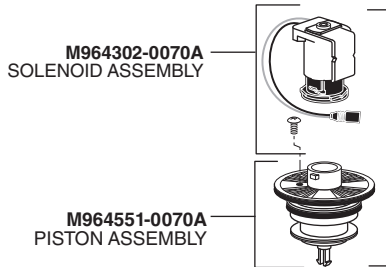
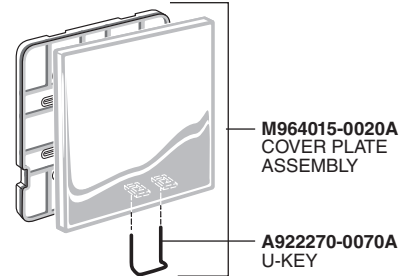
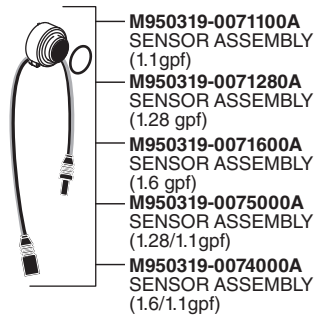


SELECTRONIC® AC POWERED PROXIMITY EXPOSED TOILET FLUSH VALVE 1.1, 1.28, 1.6, 1.6/1.1 & 1.28/1.1 GPF

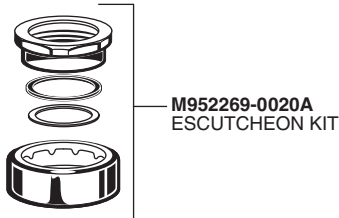
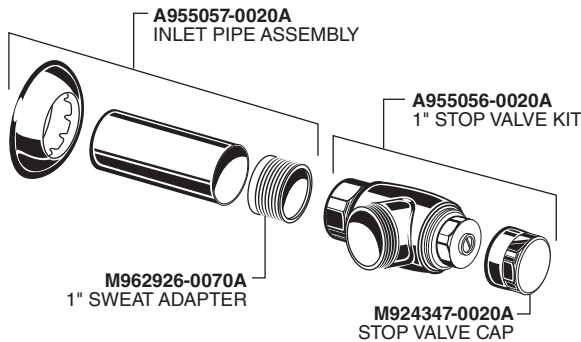
MODEL NUMBERS				
6067.111	6067.121	6067.161	6067.721	6067.761
6068.111	6068.121	6068.161	6068.721	6068.761



- M964943-0021100A
COVER ASSEMBLY
(1.1 gpf)
- M964943-0021280A
COVER ASSEMBLY
(1.28 gpf)
- M964943-0021600A
COVER ASSEMBLY
(1.6 gpf)
- M964943-0023000A
COVER ASSEMBLY
(1.28/1.1 gpf)
- M964943-0024000A
COVER ASSEMBLY
(1.6/1.1 gpf)

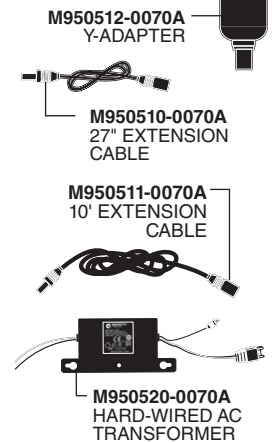


- M964945-0020A
ADJUSTABLE TAILPIECE
(4-1/4" to 5-1/4" Rough-in)
- OPTIONAL ADJUSTABLE TAILPIECE
(Purchased Separately)
- M962836-0020A (8-1/4" to 9-1/4" Rough-in)
 - M962835-0020A (7-1/4" to 8-1/4" Rough-in)
 - M962834-0020A (6-1/4" to 7-1/4" Rough-in)
 - M962833-0020A (5-1/4" to 6-1/4" Rough-in)

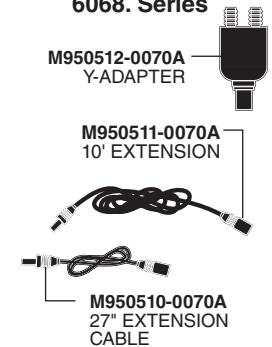


POWER SOURCE

AC Hard-Wire 6067. Series



AC Multi 6068. Series



HOT LINE FOR HELP

For toll-free information and answers to your questions, call:

(844) CRT-TEAM / (844) 278-8326
Mon. - Fri. 8:00 a.m. to 8:00 p.m. EST Sat. 10:00 a.m. to 4:00 p.m. EST
IN MEXICO 01-800-839-1200
IN CANADA 1-800-387-0369 (TORONTO 1-905-306-1093)
Weekdays 8:00 a.m. to 7:00 p.m. EST



Product names listed herein are trademarks of AS America, Inc. ©2014

To learn more about American Standard Selectronic® Products visit our website at:
www.americanstandard-us.com or e-mail us at: CRTEAM@americanstandard.com